

GREEN MOWER

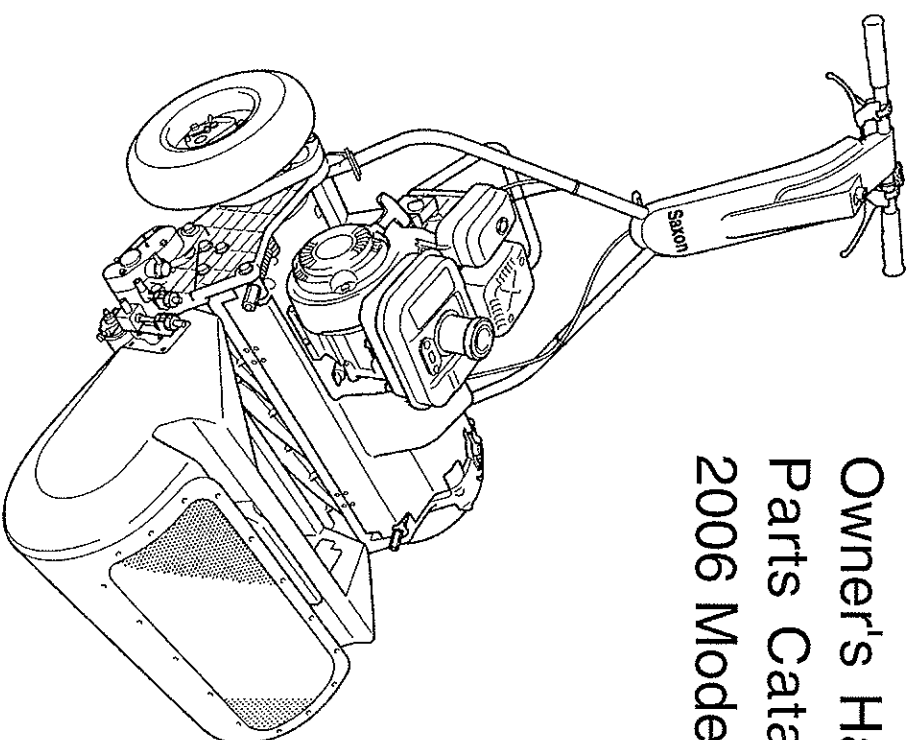
**LM566G·666G**

**LM566GF·666GF**

**BRPROMNESS**

**LAWN MOWER**

Owner's Handling Manual &  
Parts Catalogue for Saxon  
2006 Model



Read this manual before using the machine.

**BRPROMNESS**

## CONTENTS

CONTENTS .....	1
Warning for Safety .....	2
Greeting .....	2
Safety precautions .....	3
Part names .....	5
Features of LM56G/LM66G .....	6
Specifications .....	6
Handling .....	6
1. Assembly and adjustment of main unit .....	6
1-1 Installing the handle.....	6
1-2 Installing the stand .....	7
1-3 Confirmation of the operation of clutch lever and brake lever .....	7
1-4 Connection of engine switch cord .....	7
2. Inspection before use.....	8
2-1 Greasing .....	8
2-2 Inspection of engine oil .....	8
2-3 Inspection of wire.....	8
3. Fastening of each portion .....	8
4. Engine starting sequence .....	8
4-1 <b>▲WARNING</b> Before starting engine .....	8
4-2 <b>▲CAUTION</b> Starting the engine .....	8
4-3 <b>▲CAUTION</b> Stopping the engine.....	9
4-4 <b>▲DANGER</b> Fuel supply .....	9
4-5 <b>▲CAUTION</b> When leaving the machine.....	9
5. Machine operation .....	9
5-1 <b>▲DANGER</b> Before operation .....	9
5-2 Main clutch lever .....	9
5-3 Change lever .....	9
5-4 Groomer clutch lever .....	10
5-5 Adjustment of handle height .....	10
5-6 <b>▲WARNING</b> Brake lever .....	10
5-7 Throttle lever .....	10
5-8 <b>▲IMPORTANT</b> Adjustment of engine clutch .....	10
5-9 Clutch cover.....	11
5-10 Travelling wheel .....	11
5-11 <b>▲IMPORTANT</b> Adjustment of mowing height.....	11
5-12 <b>▲IMPORTANT</b> Greasing .....	11
5-13 Setting the mowing height gauge and blade thickness .....	12
6. Blade engagement.....	13
6-1 <b>▲IMPORTANT</b> Lapping .....	13
6-2 <b>▲IMPORTANT</b> Engagement .....	13
6-3 <b>▲IMPORTANT</b> Cam adjustment.....	13
6-4 Cylindrical grinding and installation of blade reel cylinder .....	14
6-5 <b>▲IMPORTANT</b> Installation of blade reel cylinder .....	14
6-6 Attaching/detaching the small cover .....	14
6-7 Attaching/detaching the bottom blade base .....	14
6-8 Machine number plate attaching position .....	15
6-9 Specification for maintenance .....	15
6-10 Position of mower during maintenance .....	15
7. Long-term storage .....	15
8. <b>▲CAUTION</b> Precautions for engine operation .....	16
9. Maintenance Schedule .....	16
Location of Labels .....	17
Parts catalog .....	18
1. Blade reel cylinder/bottom blade .....	19
2. Front roller .....	21
3. Drum wheel.....	23
4. Clutch .....	25
5. Frame transmission .....	27
6. Handle/engine/brake .....	31
7. Groomer .....	33
8. Brush .....	37
9. Grass catcher/tool .....	39
10. Sully unit .....	41
11. Maintenance supplies .....	43

## Warning for Safety

Warning marks indicate important items for safety. Observe them strictly.

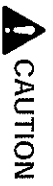
### Warning Marks



**DANGER** Negligence of the warning will cause death or serious injury.



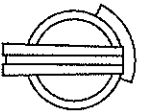
**WARNING** Negligence of the warning may cause death or serious injury.



**CAUTION** Negligence of the warning may cause injury or property damage.



See the Handling Manual



Engine switch lever



Fuel : Gasoline



Hot surface  
Burn on hand



Danger mark  
Hand cut



Danger mark  
Foot cut



10h  
Grease  
Every 10hours



**CAUTION** : Joint shaft

## Greeting

Thank you very much for purchasing BARONESS GREEN MOWER.

This Owner's Handling Manual explains the method of correct handling, adjustment, and maintenance of the mower. Thoroughly read the manual before operation. Carefully read the engine operation manual before starting the engine. Mowers undergo thoroughgoing trial operation and inspection before shipment. However, whether or not the mower can exhibit the expected performance depends on the handling method, inspection/adjustment before and after operation, and the properness of lubrication. Handle the mower correctly for safe and excellent operation for an extended period of time.

## Owner's Handling Manual

### Precautions:

- The name of the model may be different when you make an inquiry about your machine. Advise us of the machine number as well.
- The contents of this manual are subject to change without notice.



The warning marks attached to the machine indicate precautions for safety. Read them carefully. Understand well the operating procedures and safety precautions before using the machine. The marks and explanatory notes should be kept clean. If they are lost or damaged, attach new marks. Never remove the warning marks attached to the machine.

## Safety precautions

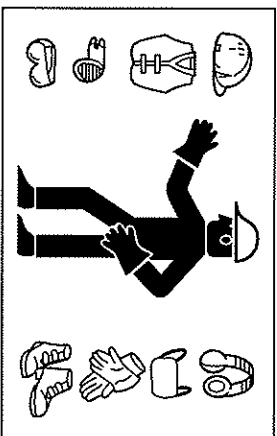
The lawn mower has a rotating blade reel cylinder (sharp blade), and the safety of operation is subject to the place of use, obstacles, lawn conditions, and many other factors. As a maker, we specifically request the user to thoroughly inspect and maintain the machine, make efforts to become skilful in operating the machine, and correctly and safely use the machine in order to avoid injury on yourself and others.

### 1) Clothes for safety

#### ▲ CAUTION

- Wear clothes that will prevent you from being caught in the machine, and wear safety gear, goggles, shoes, helmet, and gloves.

It is strongly advised that the operators of this machine wear both goggles and ear defenders for their protection.



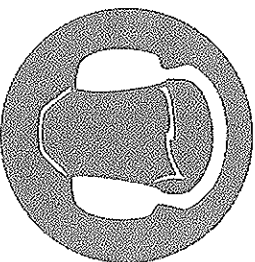
### HEALTH & SAFETY

#### WARNING

IT IS STRONGLY ADVISED THAT THE OPERATORS OF THIS MACHINE WEAR BOTH GOGGLES AND EAR DEFENDERS FOR THEIR PROTECTION

K 4205001330

HEALTH & SAFETY  
WARNING MARK



K 4205001330

NOISE WARNING  
MARK

### 2) Emergency relief measures

#### ▲ CAUTION

- Understand the method of stopping the engine in an emergency.

### 3) Do not operate the machine in such cases.

#### ▲ WARNING

- Do not operate the machine when you are tired. If you get tired during machine operation, stop the work and take a rest.
- Do not use the machine when you are sick, drunk, or under the influence of medicine. The visual sensation, nimbleness, or judgment will be adversely affected.
- If you are unaccustomed to the machine operation, thoroughly understand the handling method and safety precautions before use. Do not allow children to operate the machine.

### 4) When lending the machine to other people

#### ▲ CAUTION

If you lend the machine to a person who has no knowledge about the safety precautions or handling procedure described in the operation manual, an unexpected accident may result. Thoroughly explain the handling method and hand over the operation manual to the person who will use the machine, having him or her carefully read the operation manual before use.

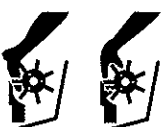
### 5) Prohibition of operation or work at night

#### ▲ WARNING

Do not operate the machine at night or when the view is unclear because of bad weather.

### 6) Safety inspection before work

#### ▲ DANGER



- Check that all covers are in position and that no portion is broken.
- Check that bolts and nuts are not loose. If they are loose, tighten them.
- Check that the operation of the brake, levers, and tires is normal.

## 7) Precautions to take during operation

### **▲ DANGER**

- Check that there is no person or any object that may be broken around the machine during operation.



- Check that there is no player in the vicinity, otherwise a flying golf ball may hit against you.
- Exercise adequate care so that you will not get injured by flying objects or the blade.

### **▲ CAUTION**

- Exercise special care when working on a slope or undulating ground. The inclination of the machine should not exceed 25 degrees.

### **▲ DANGER**



- Do not operate the machine in places where there is a risk of toppling or slipping.
- Do not touch rotating parts during operation, otherwise you may have your fingers or hands injured.
- Operate the machine at a speed that will allow the machine to stop immediately in an emergency. Do not start the machine or operate the handle suddenly. Be sure to move the machine at a slow speed especially when descending a slope.
- Do not move the throttle lever abruptly to increase the speed, otherwise the front of the machine may jump up.
- When you notice abnormal vibration, unusual sound, or other abnormality in the machine, stop the engine immediately and investigate the cause. Completely repair the machine before reuse.
- When leaving the machine, stop the machine on the level ground and then stop the engine.



**DANGER MARK**  
keep hands & feet away



**SAFETY INSTRUCTION MARK**

## 8) Precautions as to inspection

### **▲ CAUTION**

- Place the machine on the level ground for inspection and repair. Check that all parts are at rest.

### **▲ WARNING**

- Clogging of the cooling air intake of the engine, air intake of the air cleaner, muffler, and exhaust pipe with mown grass or other foreign substances may cause fire due to engine malfunction or overheating. Stop the work immediately, and remove the clogging substance after the overheated section has cooled.
- Keep the warning marks and explanations clean at all times. Replace them with new ones immediately when they are lost or damaged.
- Do not remodel the machine.
- Use parts, oil, and grease specified by our company when changing them.
- Remodeling or operation of the machine with some parts that are not specified by our company may cause damage to the machine or injury.

## 9) Moving on a public road

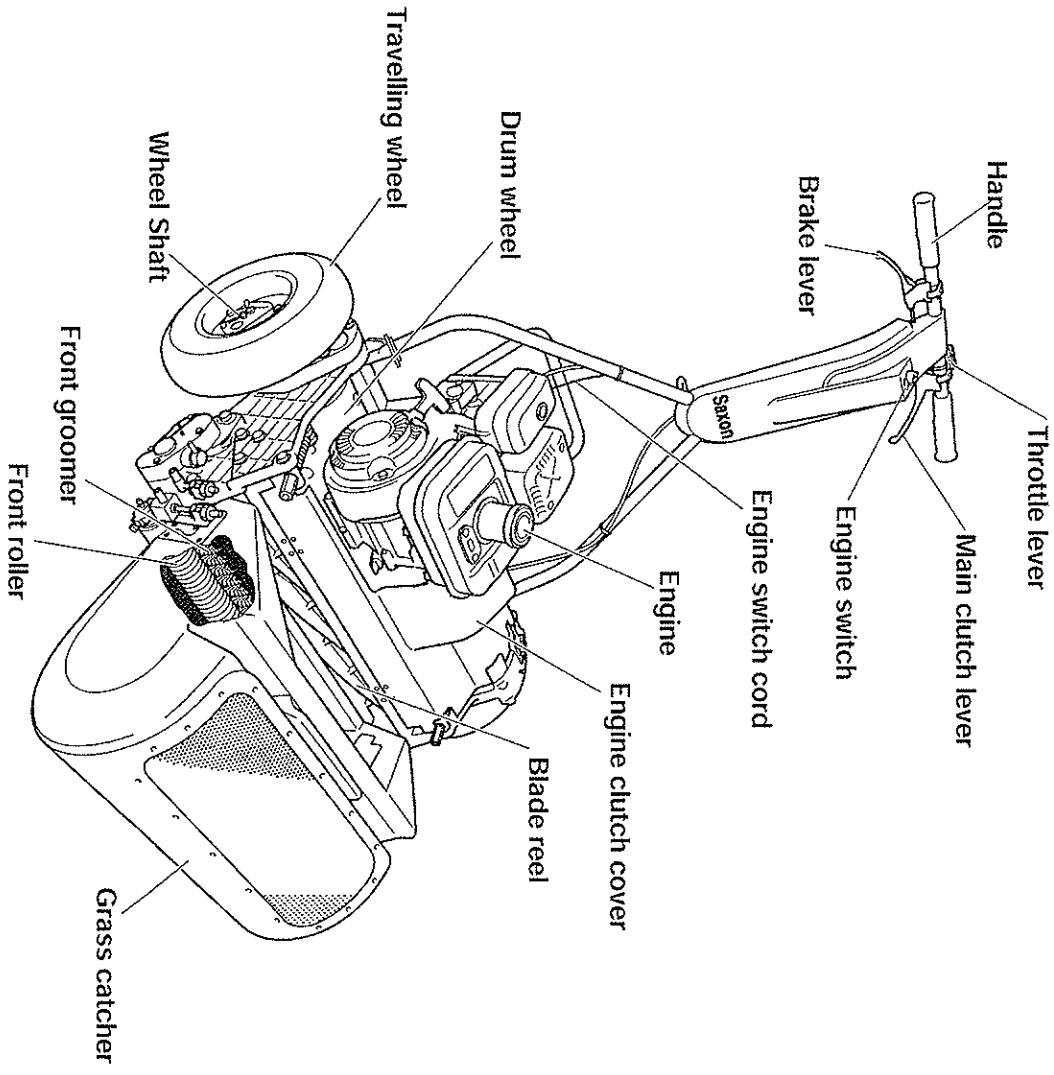
### **▲ CAUTION**

- Running the machine on a public road while you are riding on a sulky is prohibited by the law. Walk and move the machine on a public road.

## 10) Storage

- Wait until the engine cools when covering the machine with a sheet, etc.
- Remove gasoline when the machine will not be operated for more than six months.

# 1. Part names



## Features of LM56G • 66G • 56GF • 66GF

- The lightest green mower of all models of this class
- The weight balance and undulation following performance have been improved for better green mowing.
- The newly-designed handle improves the operability, lessening the operator's fatigue.
- The structure of the clutch has been changed for smooth starting.
- LM56GF • 66GF are equipped with Front Groomer. (The models contain all the parts of Groomer Portion and Roller Brakers for the models shown in the attached Parts Catalogue.)
- The front groomer is provided to permit normal and reverse rotation. (Provided with a groomer.)

## Specifications

Model	LM56G (GF)	LM66G (GF)	
Length (with grass catcher)	150cm		
Width (without travelling wheel)	94.2cm	103.2cm	
Height (handle)	103cm		
Weight	Main unit (without catcher and wheel)	81kg (85kg)	87kg (91kg)
	Grass catcher	3.3kg	3.6kg
Travelling wheels (2 pcs)	6.9kg		
	Mowing width	55.6cm	64.6cm
Mowing section	Reel diameter	φ12.8cm	
	Number of reel blades	9 or 11 blades	
Mowing section	Mowing height	3.0mm~29mm (3.0mm~27mm)	
	Engine	Robin EX13D 3.2kw (4.3ps) /4000rpm	
Speed (km/h)	4.8km/h (3000rpm)		

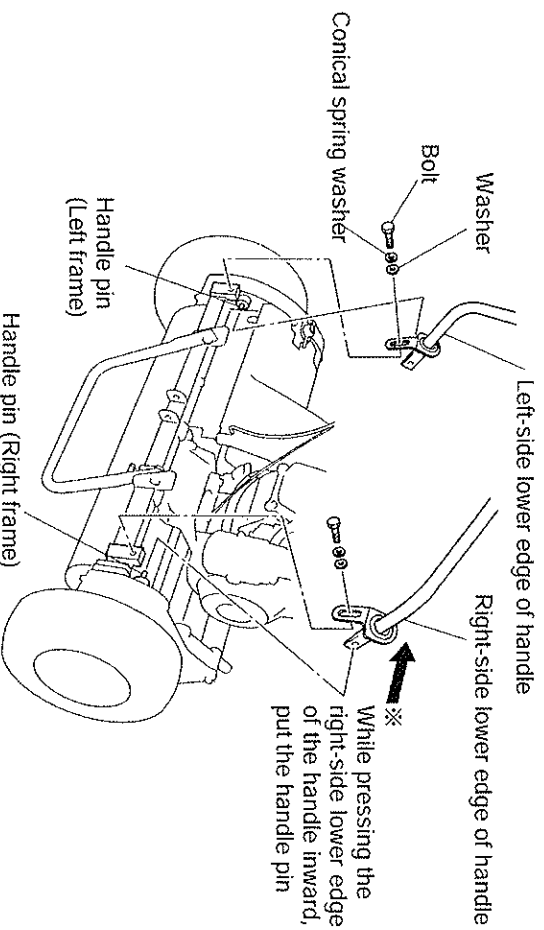
	Front groomer		Dethatching reel		Dethatching brush	
	Working width (cm)	Number of blades	Working width (cm)	Number of blades	Working width (cm)	Turning diameter (cm)
LM56 Series	51	78	50	39	49	6
LM66 Series	60	92	60	46	57	6

## Handling

### 1. Assembly and adjustment of main unit

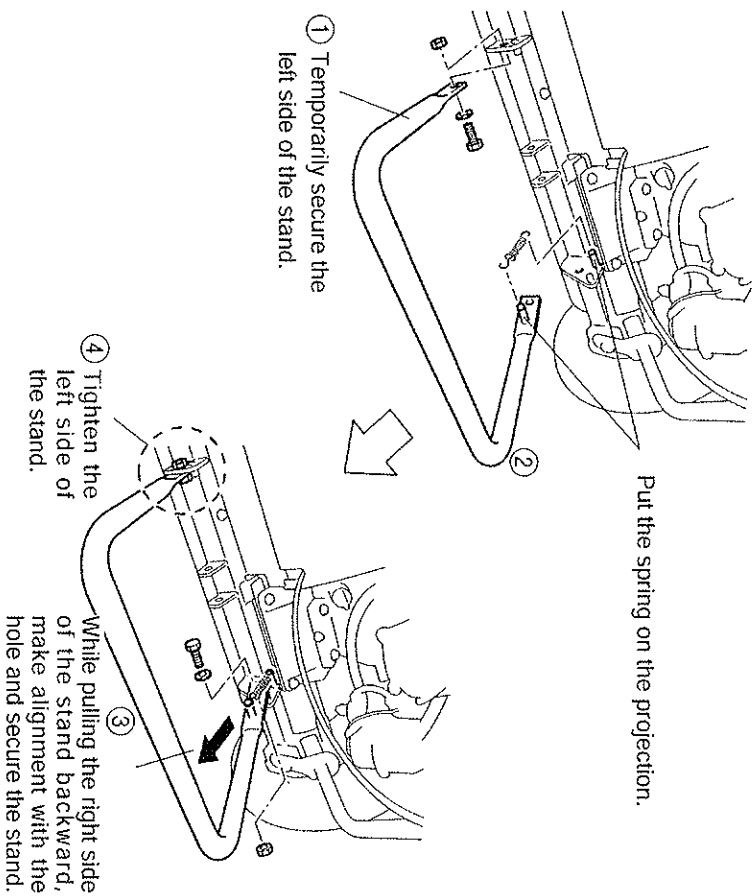
#### 1-1 Installing the handle

- 1) Put the handle pin on the left frame into the hole at the left-side lower edge of the handle.
- 2) While pressing the right-side lower edge of the handle inward, put the handle pin of the right frame into the hole.
- 3) Secure the lower edge (slotted section) of the right and left handles to the frame from the back with the bolt, conical spring washer, and washer.



### 1-2 Installing the stand

- 1) Temporarily secure the left side of the stand to the frame with the bolt, washer (inside), and nut (outside).
- 2) Put the spring on the projection of the frame and the projection at the right edge of the stand.
- 3) While pulling the right side of the stand backward, make alignment with the hole in the frame, and secure the stand with the bolt, washer (inside), and nut (outside).
- 4) Tighten the bolt, washer, and nut at the left side of the stand that were temporarily secured.



### 1-3 Confirmation of the operation of clutch lever and brake lever

Check that the clutch and brake operate completely.  
When adjustment is necessary, make adjustment according to "5-8. [Important] Adjustment of engine clutch section."

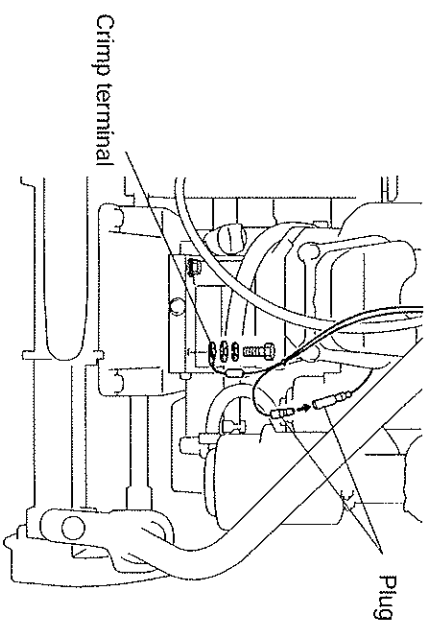
### 1-4 Connection of engine switch cord

When assembling the handle, check the connection of the engine switch cord. There are two connections - plug and crimp terminal.

- 1) The plug is connected to the plug that is connected to the engine.

#### ▲ WARNING

- 2) The crimp terminal is secured to the engine crankcase with a hexagon bolt. When the connection of the engine switch cord is incomplete, the engine will not stop even if the engine switch is operated. Check that the cord is correctly connected.





## 2. Inspection before use

### 2-1 Greasing

The transmission and intermediate transmission gears are equipped with needle bearings. Grease them every 10 hours. Shortage of grease will cause damage to the needle bearings.



### 2-2 Inspection of engine oil

Replenish the engine with engine oil. (A correct level will be shown when the engine is placed horizontally.) Change engine oil 8 hours after the initial operation, and every 50 hours from the second time onward. Oil : SAE30.

### 2-3 Inspection of wire

Check that the clutch wire and brake wire are normal.

## 3. Fastening of each portion

Many parts are fastened by bolts. Bolts and nuts may be loosened some time after initial operation. Fasten them to the specified torque.

Appropriate fastening torque N.m (kgf-cm)

	Normal bolt	Heat treated bolt
M6	8 (80)	
M8	18 (180)	36 (360)
M10	36 (360)	72 (720)
M16	1.5-pitch left-hand thread: 36 (360)	


## 4. Engine starting sequence

### 4-1 **⚠ WARNING** Before starting engine

Carefully read the gasoline engine operation manual before starting the engine. The handle cover is equipped with an engine switch. Check the "ON/OFF" positions. Set the engine switch lever in the ON position, set all moving parts in the neutral position. Check for safety - covers are in position and not damaged and there is no person around the machine - before starting the engine. Do not start the engine indoors without an appropriate ventilator.

### 4-2 **⚠ CAUTION** Starting the engine

1) Do not grip the main clutch lever.

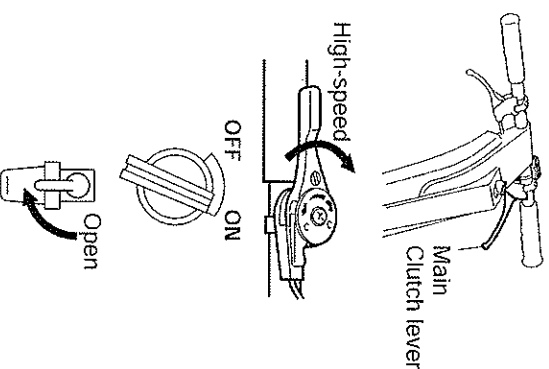
2) Set the throttle lever in the high-speed  position.

3) Set the engine switch in the ON position.

4) Set the strainer lever in the open position.

5) Pull the choke lever and pull the recoil starter, and the engine will start.

6) Return the choke lever.

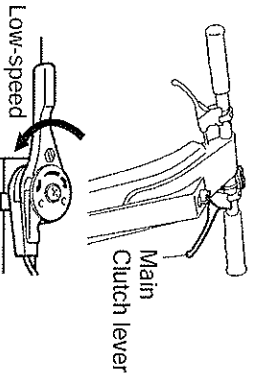


**4-3** **CAUTION** Stopping the engine

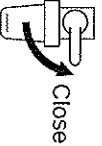
※Remember the method for stopping the engine in an emergency.

1) Do not grip the main clutch lever.

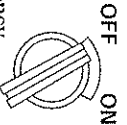
2) Set the throttle lever in the low-speed  position.



3) Set the strainer lever in the close position.



4) Set the engine switch in the OFF position.



5) Set the engine lever in the OFF position immediately in an emergency.

**4-4** **DANGER** Fuel supply



- Keep flame etc. away from the engine when supplying fuel. Stop the engine outdoors and allow it to cool before supplying fuel.
- Keep the machine clean at all times to prevent deposition of dust, grease, or oil.

**4-5** **CAUTION** When leaving the machine

- Park the machine on a flat place.
- Check that the engine has stopped and the engine switch lever is "OFF."
- Do not park the machine on a slope.

## 5. Machine operation

**5-1** **DANGER** Before operation

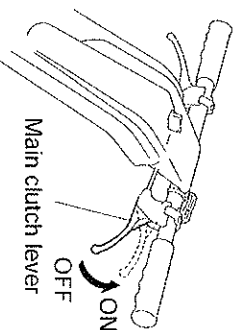
- Check that each portion - especially the brake and clutch - operates satisfactorily before starting machine operation.
- Make sure that the machine can be stopped immediately at any time.
- Exercise care so that you and people around the machine will not be injured.

**5-2** Main clutch lever

The clutch lever is on the left side of the handle.

Avoid quick operation. Carefully and slowly operate the machine.

※ Grip the lever, and the travelling drive is turned "ON" and the machine begins to move forward.



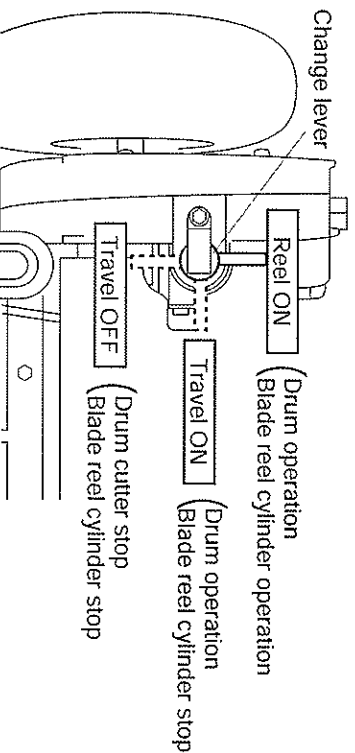
**5-3** Change lever

The change lever is at the top of the left frame.

There are three changeover positions. When the lever is in the "Reel ON" position, the drum and cutter operate, entering the moving mode.

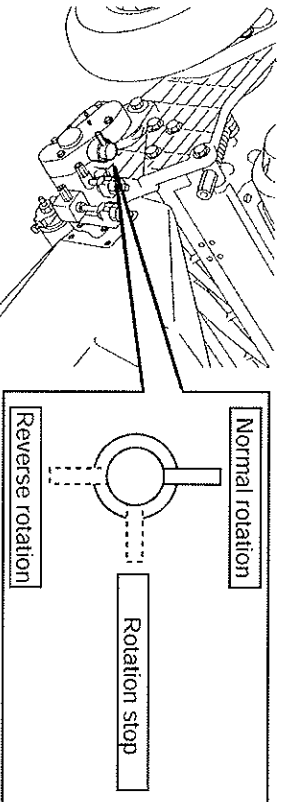
When the lever is in the "Travel ON" position, only the drum operates, entering the traveling mode.

When the lever is on the "Travel OFF" position, both drum and cutter stop, entering the traveling mode with the engine stopped.



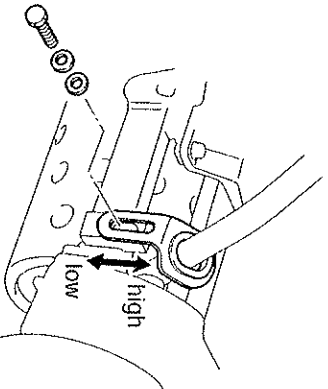
#### 5-4 Groomer clutch lever

The lever is at the top of the groomer gear case on the outside of the right frame. There are three changeover positions - "Normal rotation" (in the same direction as the rotating direction of the blade reel cylinder), "Rotation stop," and "Reverse rotation" (in the direction opposite to the direction of rotation of the blade reel cylinder). Change the positions according to the type of work.



#### 5-5 Adjustment of handle height

Move the securing bolt up and down in the slot of the handle guide, which is securing the handle to the frame, in order to adjust the height of the handle according to the operator's working position.



#### 5-6 **⚠ WARNING** Brake lever

The lever is in the right-side grip section of the handle. Grip the lever, and the internal expanding brake set in the second shaft section will operate. The strength can be adjusted by the screw.

#### 5-7 Throttle lever

The throttle lever is on the left side of the handle. The lever controls the engine speed. The speed of rotation is 1,400-3,400 rpm. Operate at about 3,000 rpm.

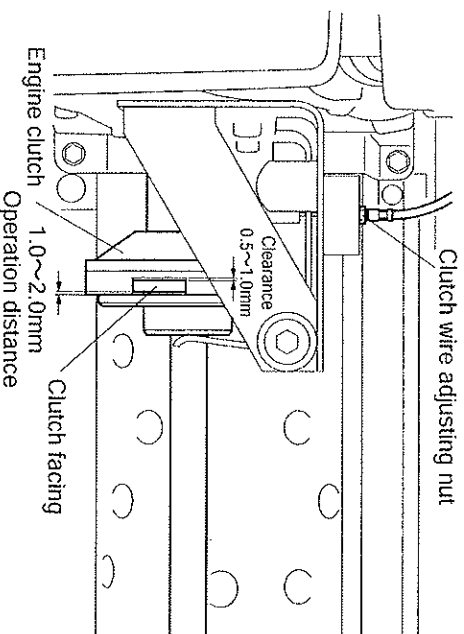
#### 5-8 [IMPORTANT] Adjustment of engine clutch

《When reinstalling the engine》

Adjust the clearance between the engine clutch and clutch facing so that it will be approx. 0.5 to 1 mm when the travelling clutch is engaged. For adjustment, loosen the four bolts that are securing the engine, and insert a thickness gauge (attached) into the front and rear. Make adjustment so that the gap will be parallel, and then fasten the bolts.

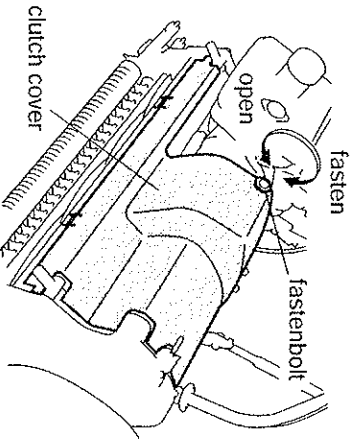
《When adjusting the clutch wire》

Make adjustment so that the operation distance of the clutch plate between the clutch engagement and disengagement will be 0.8-1 mm.



**5-9 Clutch cover**

The clutch cover is on the left side of the engine, covering the engine clutch. It is secured by turning the fastenbolt clockwise (by 4-5 turns).



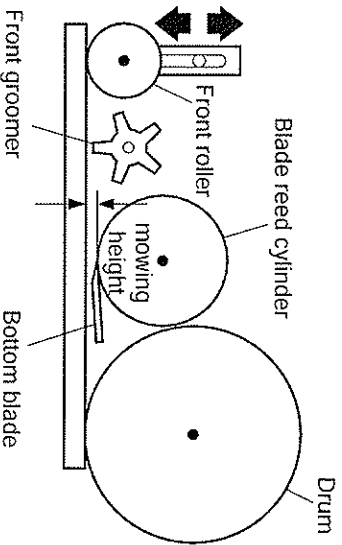
**5-10 Travelling wheel**

The travelling wheel is used to move the machine from green to green. Set the stand up right, pull the tire holding the lever, and the wheel will come off.

※tire air pressure 120kPa (1.2kg/cm<sup>2</sup>)

**5-11 [IMPORTANT] Adjustment of mowing height**

Move the front roller up or down, and the mowing height can be adjusted to a maximum of 27 mm. Use an optional bottom blade when 3 m/m mowingheight is desired.



**5-12 [IMPORTANT] Greasing**

Periodically fill up respective grease nipples.

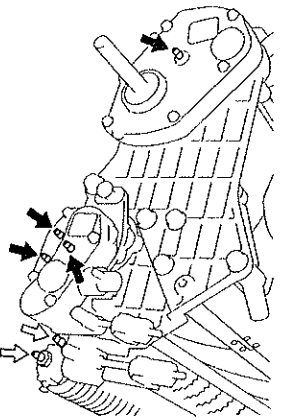
Exercise special care when greasing the sections where needle bearings are used. (Intermediate shaft of the right and left gears and the intermediate shaft of the groomer)

Periodically fill up the grease nipples with approx. 1 g of grease (EXCELITE EP No.2) (one or two times with a compact manual grease pump).

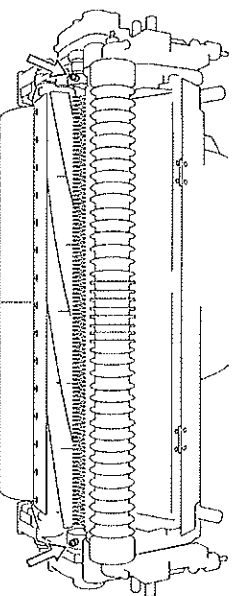
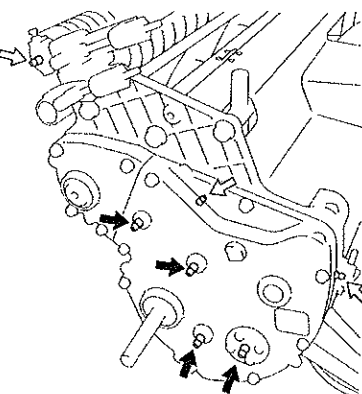
Every 10 hr →	Every 50 hr ⇐
Left frame intermediate shaft (for Reel)	Left gear cover
Right & left frame intermediate shaft (for Drum)	Reel bearing
Differential gear parts	Front roller
Vertical gear case intermediate shaft	Vertical gear case

**[Right-side main unit]**

**[Left-side main unit]**



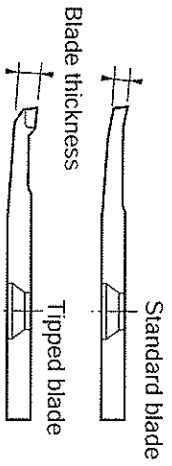
Every 10 hr →  
Every 50 hr ⇐



### 5-13 Setting the mowing height gauge and blade thickness

1) Set the mowing height gauge at the desired height. The minimum mowing height with respect to each bottom blade thickness is shown below.

Type of blade	Blade thickness (mm)	Min. mowing height (mm)	Code No.	Part Name	Note
Standard blade	1.5	3.0	K2511000270	1.5 bottom blade 55G	Option
	2	3.5	K2511000280	2 bottom blade 55G	
LM56G	2.5	4.0	K2511000050	2.5 bottom blade 55G	standard
	3	4.5	K2510000060	3 bottom blade 62.5-559	
Tipped blade	5	7.0	K2510000160	5 bottom blade 62.5-559	Option
	1.5	3.0	K2511000310	1.5 bottom blade 65G	
Standard blade	2	3.5	K2511000300	2 bottom blade 65G	standard
	2.5	4.0	K2511000200	2.5 bottom blade 65G	
LM66G	3	4.5	K2510000150	3 bottom blade 62.5-648.4	Option
	5	7.0	K2510000170	5 bottom blade 62.5-648.4	



※ The minimum mowing height is the height on the average condition green. Lawn may be shaved when the undulation of the green is substantial. Set the mowing height higher in that case.

2) Adjust the front groomer according to the condition of the green before use.

※ If the groomer blades are set deeper than the ground surface, the shaft may bend.

※ The front groomer, when it is put too low, will apply an excessive load to the engine and transmission section, causing malfunction or failure.

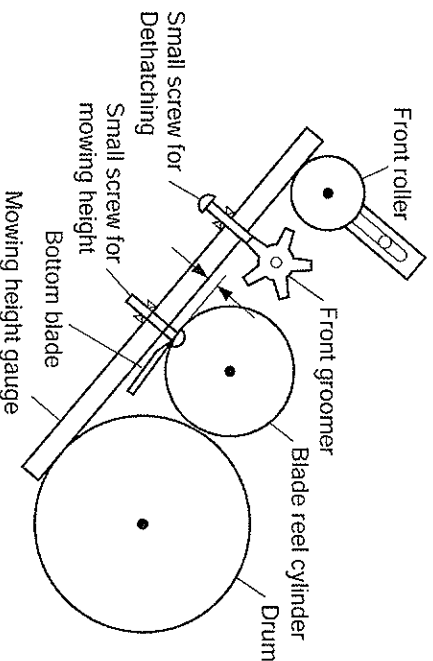
3) When using the grooming brush, adjust the height so that it will be equal to the mowing height.

※ The brush will be worn easily when the height is too low.

### 4) [IMPORTANT] Adjustment of front roller height

Bring the mowing height gauge into contact with the front roller and drum (as shown below), and adjust the height of the bottom blade.

- Loosen the tall nut of the roller bracket, and move the front roller up or down with roller adjuster.
- Position the front roller with the mowing height gauge.
- Make adjustment at both edges.
- Tighten the tall nut, and secure the roller bracket.



## 6. Blade engagement

Check that the engine is at rest before making adjustment.

Grind and adjust the blade reel cylinder and bottom blade entirely so that a newspaper will be cut sharply.

### 6-1 [IMPORTANT] Lapping

Conduct lapping after mowing operation (before adjusting the engagement).

1) Check the entire portion of the blade reel cylinder to check which portion is dull. (If a newspaper cannot be cut in any portion, put in two sheets of paper to carefully check which portion is dull.)

2) Connect the lapping machine (RM/20A) or lapping bolt (option) to the lapping shaft of the mower.

3) Rotate the blade reel cylinder in the direction opposite to the mowing direction, and apply abrasive with a brush only to the portion where a newspaper was sharply cut. The portion where a newspaper was not cut is worn away. Do not apply abrasive to such portions.

※The right side (when viewed from the front of the blade reel cylinder) of the blade reel cylinder will be worn away 3-4 times earlier than the left side. When applying abrasive to the blade reel cylinder, be sure to move the brush from left to right. (See right sketch) When the abrasive is a mixture of powder (#200~#400) and oil, mix them at the rate of 1:3 to 4. The gel compound (option) can be used as it is.

4) Keep rotating the blade reel cylinder, and stop rotation when the contact sound disappears. Put in a newspaper again to check the blade reel cylinder entirely for the sharpness of each portion.

5) Repeat operations (3) and (4). When the blade reel cylinder and bottom blade are in contact with each other uniformly, apply abrasive to the blade reel cylinder entirely for final lapping.

6) After lapping, remove the abrasive with steam, etc.

### ▲ CAUTION

Both blade reel cylinder and bottom blade are edged. Handle them carefully.

Be careful of the fingers, which turn the blade reel cylinder, when cutting a newspaper to check sharpness. Uniformly lap the right and left sides of the bottom blade in contact with the blade reel cylinder, and the life of the blade will be maximized.

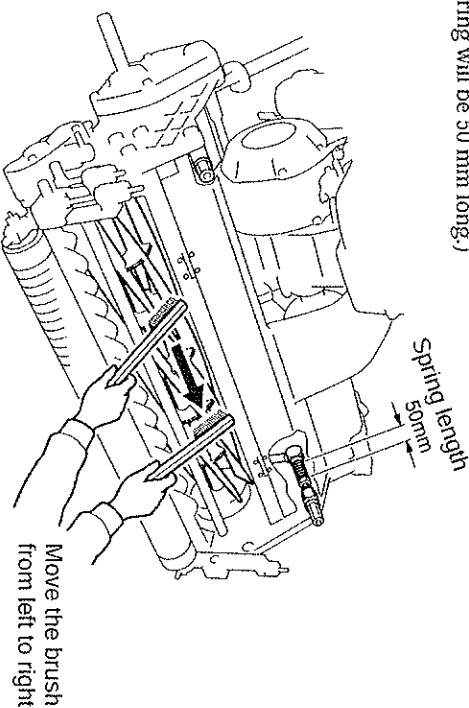
### 6-2 [IMPORTANT] Engagement

1) Lightly engage the blade reel cylinder and bottom blade uniformly on both sides.

2) Uniformly adjust the bottom blade on the right and left sides.  
Turn the blade adjusting nut (1-1) clockwise for slight engagement, and turn it counterclockwise for firm engagement.

3) Lightly engage both sides to the extent that a newspaper will be cut sharply.

When the blade reel cylinder is worn and the spring pressure decreases, adjust the spring pressure by the spring adjusting screw (1-6) and 14 nut (1-7). (Make adjustment so that the spring will be 50 mm long.)

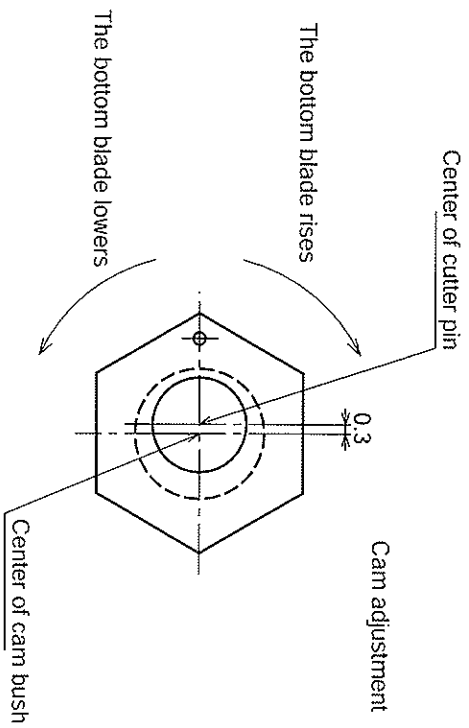


### 6-3 [IMPORTANT] Cam adjustment

Turn the cam bush on both sides of the bottom blade, and the blade will be raised and lowered within a maximum range of 0.3 mm. The above method is used when the edges of the blade reel cylinder and bottom blade are not in parallel.

1) When there is a gap between the blade reel cylinder and the left frame side of the bottom blade loosen the lock nut and turn the left cam bush clockwise as much as the gap. Turn it clockwise by 30° to raise the bottom blade by 0.1 mm. After adjustment, firmly fasten the lock nut.

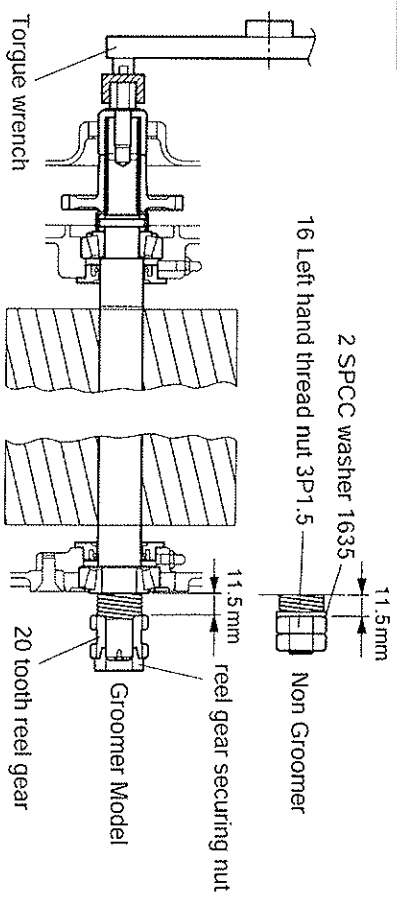
2) When there is a gap on the right frame side, loosen the lock nut, and turn the right cam bush counterclockwise as much as the gap.



**6-4 Cylindrical grinding and installation of blade reel cylinder**

Cylindrically grind the blade reel cylinder when it is worn away and has become conical. (Ask the dealer you purchased the machine from for cylindrical grinding.)

**6-5 [IMPORTANT] Installation of blade reel cylinder**

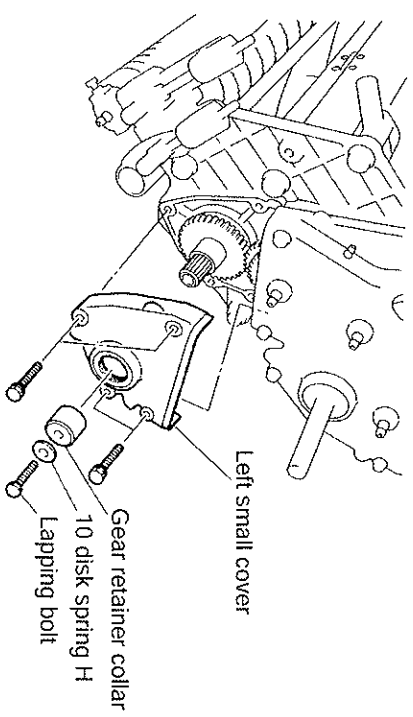


- 1) Replace the bearings and reel shaft seals on both sides of the blade reel cylinder. Use the bearing 30204JRP6 that has the smallest error.
- 2) Sufficiently apply grease (EXCELITE EPNO2) to the bearing and seal. (Apply grease to the bearing while turning the roller.)
- 3) Method to fasten nut after installing the blade reel cylinder

[IMPORTANT] Tighten the nut until the length of the spring reaches 11.5 mm, and lock the nut. A certain preload will be applied by the spring pressure. The rotational torque of the blade reel cylinder should be  $0.8 \sim 1.0N \cdot m$  ( $8 \sim 10kgf \cdot cm$ ). If it is not, check the bearing and seal.

**6-6 Attaching/detaching the small cover**

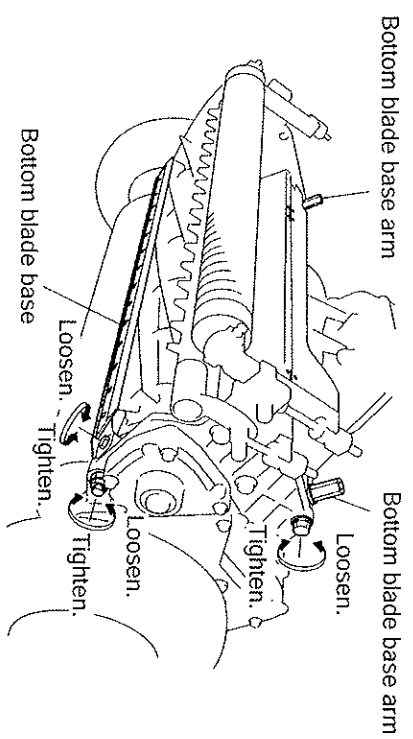
Remove the lapping bolt and the gear retainer collar in this order, and then remove the left small cover. Attach the left small cover, and then attach the gear retainer collar and lapping bolt in this order. (Attach the left small cover so that the reel cutter shaft will be at the center of the oil seal of the left small cover.)



**6-7**

**Attaching/detaching the bottom blade base**

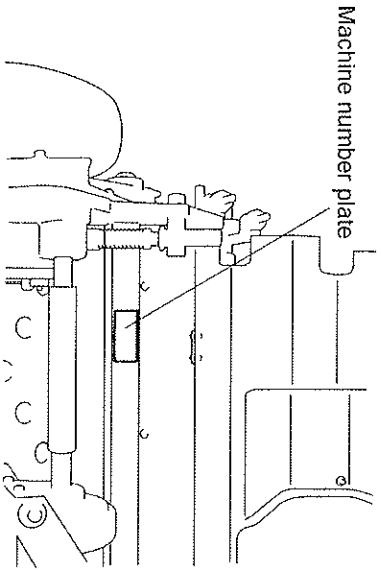
Remove the bottom blade base arm, and then remove the bottom blade base. Attach the bottom blade base, and then attach the bottom blade base arm.



**6-8**

**Machine number plate attaching position**

The type and serial number are marked on the machine number plate. It is attached to the upper portion on the left side of the front frame stay.



**6-9**

**Specification for maintenance**

Qty of engine oil	0.6dm <sup>3</sup> (0.6L)
Plug	NGK BR4HS
Capacity of gasoline tank	2.5dm <sup>3</sup> (2.5L)
Tire air pressure	120kpa (1.2kg/cm <sup>2</sup> )
Engine speed	1400~3400rpm

**6-10**

**Position of mower during maintenance**

If the mower handle is left leaned on the ground for a long time during maintenance, engine oil may enter the engine combustion chamber and cause the engine to run improperly. Be careful not to keep this position long.

**7. Long-term storage**

- 1) For the engine, refer to the engine operation manual.
- 2) Cylindrically grind the blade reel cylinder every six months.
- 3) Replace the bearing (30204JRP6) and seal on both sides of the blade reel cylinder every season. (Replace them even if they have not been used for many hours.)
- 4) Clean the machine, and apply grease or oil to respective sliding sections.



## 8. **CAUTION** Precautions for engine operation

For the engine, refer to the engine operation manual.



- 1) Use gasoline for automobiles as the fuel of the engine.
- 2) Completely change engine oil when the machine has been used for eight hours after the initial operation, because the machine is used under tough conditions with vibration and dust, and change oil every 50 hours after that. The quantity of engine oil is 0.6 dm<sup>3</sup> (0.6L). Use SAF30.

- 3) Always cover the suction port of the air cleaner with a cleaner cover bag during operation. Be sure to clean the air cleaner element before using the machine.

### **DANGER**



- 4) Fire is strictly prohibited during fuel supply. Be careful of a lit cigarette. Replenish the fuel tank outdoors after the stopped engine has been cooled. Wipe off the spilt fuel completely.
- 5) Do not start the engine in a building without a proper ventilator.

### **CAUTION**



- 6) The muffler and the area around the exhaust port of the muffler will become hot. Do not bring gasoline, matches, dry grass, or other inflammables near hot portions.

### **CAUTION**

- 7) Inspection before operation  
Check the joint of fuel pipe, etc. for looseness or damage. Check bolts and nuts in respective sections for looseness.

### **CAUTION**

- 8) Wear appropriate clothes. An apron, towel on the belt, long string, etc. will cause you to be caught in rotating parts.

- 9) When the machine is to be stored for a long time exceeding 5 months, remove gasoline from the engine.

### 10) Engine maintenance schedule

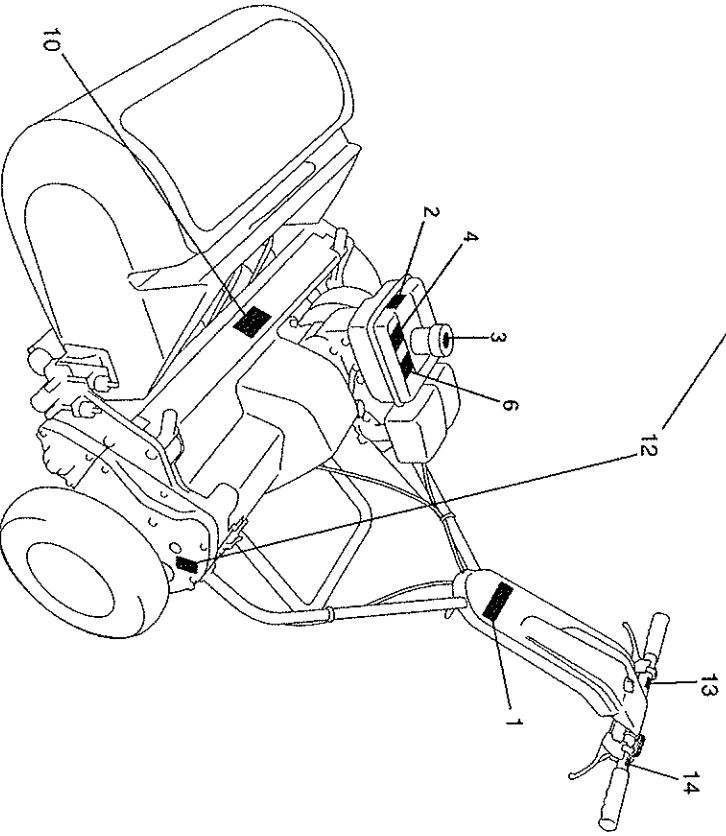
To keep the engine in satisfactory status at all times, be sure to conduct maintenance and inspection according to the following table:

## 9. Maintenance Schedule

		Engine			
		Before use	Every 8hr	Every 10hr	Every 50hr
Maintenance					
Cleaning of each part/inspection of tightening		<input type="checkbox"/>			
Inspection and addition of fuel		<input type="checkbox"/>			
Inspection and cleaning of air cleaner		<input type="checkbox"/>			
Inspection and addition of engine oil		<input type="checkbox"/>			
Engine oil change			only after the initial operation		<input type="checkbox"/>
Main unit					
Maintenance			Every 8hr	Every 10hr	Every 50hr
Inspection and cleaning of recoil starter dust proofing net		<input type="checkbox"/>			
Cleaning of each part/inspection of tightening		<input type="checkbox"/>			
Inspection and adjustment of blade engagement		<input type="checkbox"/>			
Inspection and adjustment of mowing height		<input type="checkbox"/>			
Greasing and oiling			<input type="checkbox"/>		<input type="checkbox"/>
Removal of mown grass and dust		<input type="checkbox"/>			

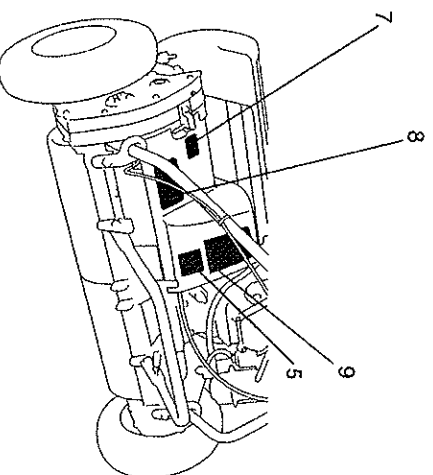
## Location of Labels for LM56GF SAXON MODEL

Right side of the main unit



Code No.	Part Name	Qty /Unit
1	SAXON Mark	1
2	LM56G -- 2504Z0 Model Name Mark	1
3	Engine oil Warning Mark	1
4	Noise Warning Mark	1
5	CE Mark	1
6	LWA 98 Mark	1
7	Clutch Mark (Large)	1
8	HEALTH&SAFETY WARNING Mark	1
9	SAFETY INSTRUCTIONS Mark	1
10	DANGER Mark	1
11	Groomer Mode Selector	1
12	Grease Up 10h Mark	2
13	BRAKE Mark	1
14	Clutch Mark	1

Rear of the main unit



# **BRIDGES GREEN MOWER**

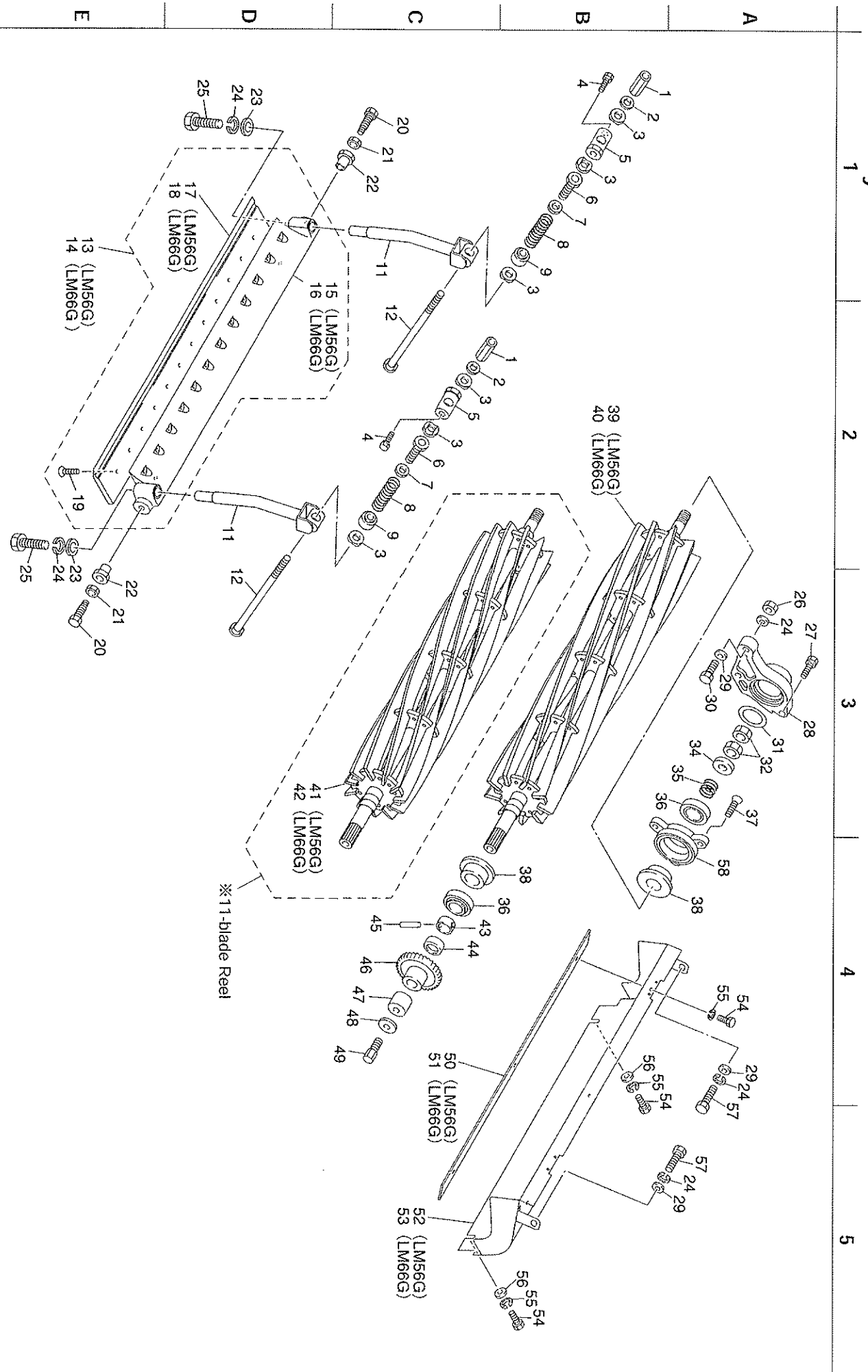
# **LM56GF-66GF LM56GF-66GF**

## **PARTS CATALOGUE**

☆ **Ordering parts**  
All parts in this parts catalog are controlled by computer. For prevention of delivery of wrong parts, advise us of the catalog No., code No., and part name.

(Example)	Catalog No.	Code No.	Part Name	Qty
	1-41	K28055011DR	Blade reel cylinder 577-11	5

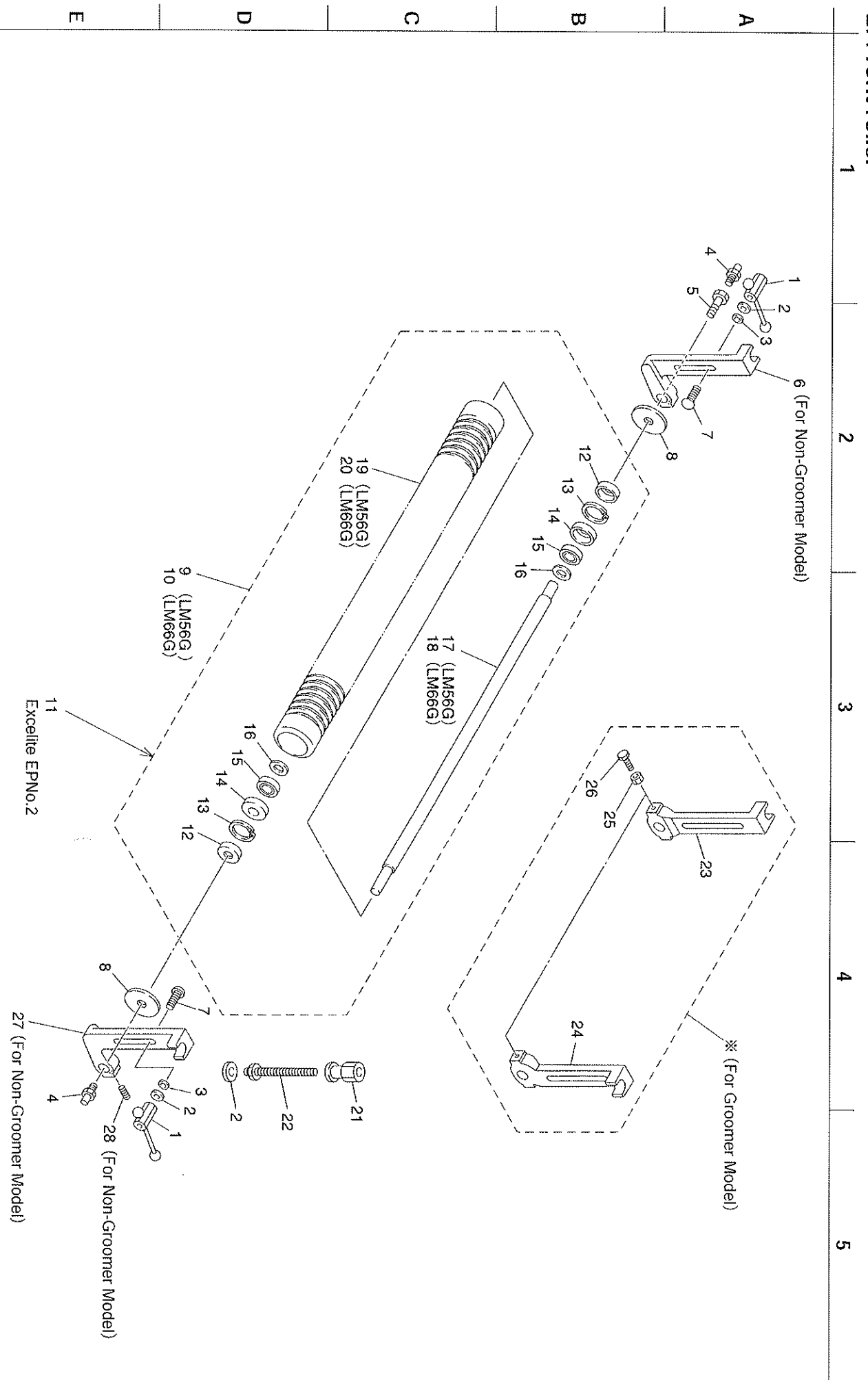
1. Blade reel cylinder/bottom blade



Catalog No.	Code No.	Part Name	Qty /Unit	Notes
1-1	K1330000050	Blade adjusting nut	2	
1-2	K5000100002	10 washer	2	
1-3	K6500000102	5SS41 washer 10.522	6	
1-4	K0007100302	10 bolt 30SW	2	
1-5	LM56G--0509Z2	Fulcrum seat	2	
1-6	LM56G--0504Z2	Spring adjusting screw	2	
1-7	K0160000582	14 nut 3P1.25	2	
1-8	K1000000578	3.5 compression spring 2273	2	
1-9	K6206000202	Spring receiver 16	2	
1-10				
1-11	LM56G--0503Z2	Bed arm	2	
1-12	LM56G--0508Z2	Blade adjusting screw	2	
1-13	LM56G--2401Z0	3 bottom blade base COMP	1	
1-14	LM66G--0511Z0	Bottom blade base COMP	1	
1-15	LM56G--0501ZR	Bottom blade base	1	
1-16	LM66G--0501ZR	Bottom blade base	1	
1-17	K2510000060	3 bottom blade 62.5-559	1	
1-18	K2511000200	2.5 bottom blade 65G	1	
1-19	K0071000222	6heat-treated countrysunk head screw 12	13	15 pcs for LM66G
1-20	K6082000010	Cutter pin R	2	
1-21	K0160000112	Lock nut	2	
1-22	K6010000010	Cann bush	2	
1-23	K5012908202	2.9 SPCC washer 820	2	
1-24	K0200080002	8S washer	5	
1-25	K0000080152	8 bolt 15	2	
1-26	K0100080002	8 nut	1	
1-27	K0007080252	8 bolt 25SW	1	
1-28	LM55GC-1211AD	Cover	1	
1-29	K5000080002	8 washer	3	
1-30	K0000080452	8 bolt 45	1	
1-31	K0882045000	O-ring G45	1	
1-32	K0185160002	16 left-hand thread nut 3P1.5	2	
1-33				
1-34	K5012016352	2SPCC washer 1635	1	
1-35	K1000000740	3.2 compression spring 26.922	1	

Catalog No.	Code No.	Part Name	Qty /Unit	Notes
1-36	K0631302040	Tapered roller 30204JRP6	2	
1-37	K0053080202	8 hex. socket head flush bolt 20	3	
1-38	K0830000020	Oil seal 254210	2	
1-39	K28055009DR	Blade reel cylinder 557-9	1	
1-40	K28065009DR	Blade reel cylinder 646-9	1	
1-41	K28055011DR	Blade reel cylinder 557-11	1	
1-42	K28065011DR	Blade reel cylinder 646-11	1	
1-43	K6213000040	Left bearing collar	1	
1-44	K5300000282	Pin lock cover	1	
1-45	K0311045250	4.5 needle roller 25.8	1	
1-46	LM56G--0105A0	33-tooth reel gear	1	
1-47	LM56G--0109Z8	Gear retainer collar	1	
1-48	K0211100001	10 disc spring H	1	
1-49	LM56G--0110Z2	Lapping bolt	1	
1-50	LM56G--0510Z2	6 air adjusting plate 560	1	
1-51	LM66G--0510Z2	6 air adjusting plate 650	1	
1-52	LM56G--0502ZR	Reel cover	1	
1-53	LM66G--0502ZR	Reel cover	1	
1-54	K0000060102	6 bolt 10	4	
1-55	K0200060002	6S washer	4	
1-56	K5000060002	6 washer	2	
1-57	K0000080202	8 bolt 20	2	
1-58	LM56G--0606Z2	Right reel housing	1	

2. Front roller



Catalog No.	Code No.	Part Name	Qty /Unit	Notes
2-1	K 1 3 3 0 0 0 0 0 5 0	Screw with handle P1.25	2	
2-2	K 0 2 1 3 0 8 0 0 0 1	8 disc spring washer 1H	4	
2-3	K 5 0 0 0 0 8 0 0 0 2	8 washer	4	
2-4	K 1 4 4 0 0 0 0 0 1 0	Grease nipple	2	
2-5	K 6 0 8 3 0 0 0 0 0 4 2	16 extension pin 19	1	
2-6	K 6 9 0 4 0 0 0 0 9 D	Right roller bracket	1	
2-7	K 0 0 2 5 0 8 0 4 5 2	8 square-root round-head bolt 45	2	
2-8	K 5 0 5 1 0 1 5 4 7 0	1C5191P washer 1547	2	
2-9	L M 5 6 G -- 0 4 0 3 Z 0	56G grooved roller ass'y	1	
2-10	L M 6 6 G -- 0 4 0 3 Z 0	66G grooved roller ass'y	1	
2-11	K 2 9 3 1 0 0 0 0 0 0	Excite EP No.2	10g	
2-12	K 0 8 6 1 0 0 0 0 2 0	Oil seal TA1542.38	2	
2-13	K 0 4 0 2 0 4 2 0 0 1	Stop ring R42	2	
2-14	K 0 8 6 1 0 0 0 0 3 0	Oil seal 6202	2	
2-15	K 0 6 1 6 0 6 2 0 2 0	Bearing 62022NSEC3	2	
2-16	K 5 0 5 1 0 1 5 2 8 0	1C5191P washer 1528	2	
2-17	K 6 1 3 1 0 0 0 1 2 2	Front roller shaft 596	1	
2-18	K 6 1 3 1 0 0 0 1 3 2	Front roller shaft 685	1	
2-19	L M 5 6 G -- 0 4 0 2 Z D	56G grooved roller 39	1	
2-20	L M 6 6 G -- 0 4 0 2 Z D	66G grooved roller 46	1	
2-21	K 6 0 8 4 0 0 0 0 6 2	Roller adjuster	2	
2-22	L M 5 6 G -- 0 4 0 1 Z 0	Roller adjusting screw	2	
2-23	K 6 9 0 4 0 0 0 0 7 0	Right roller bracket	1	
2-24	K 6 9 0 4 0 0 0 0 6 0	Left roller bracket	1	
2-25	K 0 0 0 0 0 6 0 2 5 2	6 bolt 25	2	
2-26	K 0 1 0 0 0 6 0 0 0 2	6 nut	2	
2-27	K 6 9 0 4 0 0 0 0 8 D	Left roller bracket	1	
2-28	K 0 0 2 8 0 6 0 1 0 0	6 stainless steel hollow set 10	2	

Catalog No.	Code No.	Part Name	Qty /Unit	Notes

3. Drum wheel

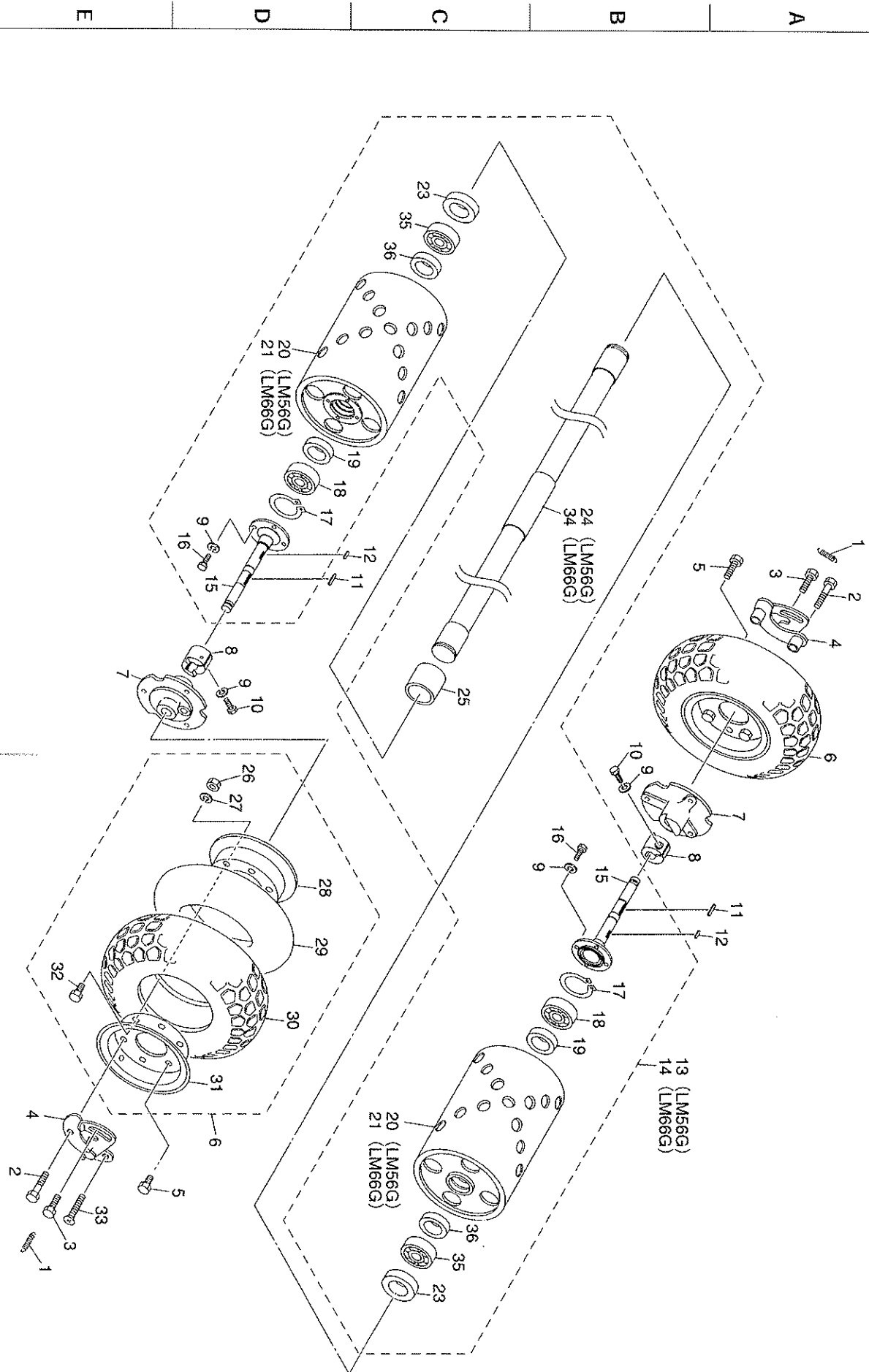
1

2

3

4

5

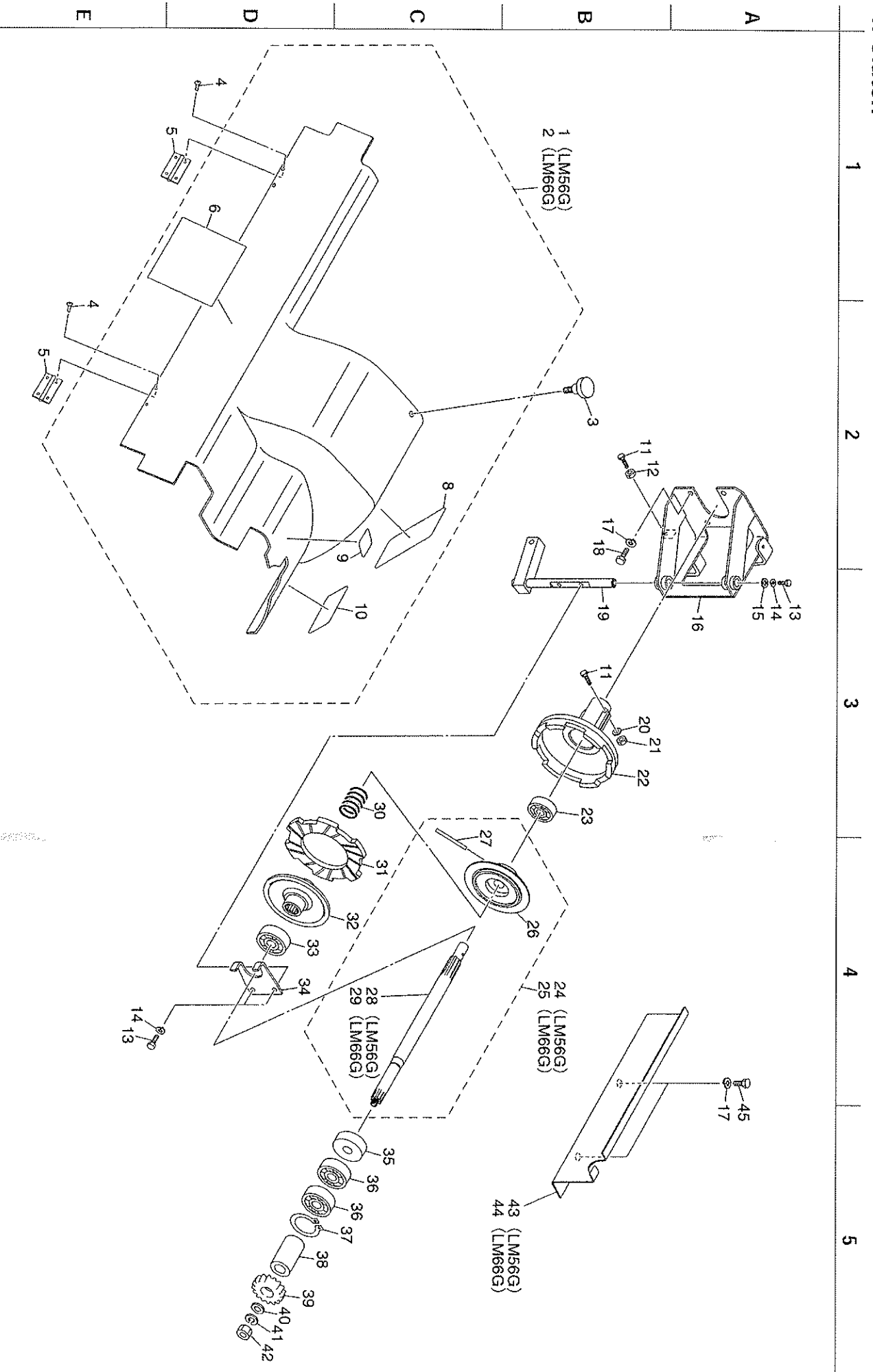




Catalog No.	Code No.	Part Name	Qty /Unit	Notes
3-1	K 1 0 3 0 0 0 0 0 6 8	1.5U hook spring 8.535.5	2	
3-2	K 0 0 0 6 0 8 0 4 0 2	8 bolt 40S	2	
3-3	K 6 0 8 2 0 0 0 0 2 3	8 bolt 10	2	
3-4	L M 5 5 G B — 0 2 4 2 C 2	Wheel mounting plate	2	
3-5	K 0 0 0 6 0 8 0 1 5 2	8 bolt 15S	2	
3-6	K 2 0 2 0 0 0 0 0 5 0	Tire 4.10/3.50-6 Ass'y	2	
3-7	L M 5 5 G D — 0 2 3 9 Z D	Wheel mounting seat	2	
3-8	L M 5 6 G — — 0 2 0 7 Z 2	Wheel driving fitting	2	
3-9	K 0 2 0 0 0 8 0 0 0 2	8S washer	10	
3-10	K 0 0 2 4 0 8 0 2 5 1	8 hex. socket head bolt 25	2	
3-11	K 0 5 0 0 5 0 5 2 8 0	5 both-end round key 528	2	
3-12	K 0 5 0 0 5 0 5 1 6 0	5 both-end round key 516	2	
3-13	L M 5 6 G — — 0 2 1 0 B 0	Ass'y with drum shaft	1	
3-14	L M 6 6 G — — 0 2 1 0 B 0	Ass'y with drum shaft	1	
3-15	L M 5 6 G — — 0 2 0 2 Z 2	Outer drum shaft	2	
3-16	K 0 0 0 0 0 8 0 2 5 2	8 bolt 25	8	
3-17	K 0 4 0 1 0 2 0 0 0 1	Stop ring S20	2	
3-18	K 0 6 1 3 0 6 2 0 4 0	Bearing 62042RDC3	4	
3-19	K 0 8 1 2 0 4 0 0 7 0	Oil seal MHS20407	4	
3-20	L M 5 6 G — — 0 2 1 1 Z 0	Drum	2	
3-21	L M 6 6 G — — 0 2 1 1 Z 0	Drum	2	
3-22				
3-23	K 0 8 2 3 0 4 7 0 8 0	Oil seal MHS A30478	2	
3-24	L M 5 6 G — — 0 2 1 2 Z 2	Intermediate drum shaft	1	
3-25	L M 5 6 G — — 0 2 1 3 Z 2	Drum center collar	1	
3-26	K 0 1 0 0 0 8 0 0 0 2	8 nut	6	
3-27	K 0 2 0 0 0 8 0 0 0 2	8S washer	6	
3-28	K 2 0 9 0 0 0 0 5 0 L	Wheel 3SP-6	2	
3-29	K 2 0 9 1 0 0 0 2 2 0	Tube 4.10/3.50-6	2	
3-30	K 2 0 2 1 0 0 0 0 3 0	Tire 4.10/3.50-6	2	
3-31	K 2 0 9 0 0 0 0 5 1 L	Wheel 3SP-6 with valve hole	2	
3-32	K 0 0 0 0 8 0 1 2 2	8 bolt 12	6	
3-33	K 0 0 4 1 0 8 0 3 5 2	8 + countersunk head screw 35	2	
3-34	L M 6 6 G — — 0 2 1 2 Z 2	Intermediate drum shaft	1	
3-35	K 0 6 0 8 0 6 0 0 5 0	Bearing 60052RS	2	

Catalog No.	Code No.	Part Name	Qty /Unit	Notes
3-36	K 0 8 1 2 5 4 0 0 8 0	Oil seal MHS25408	2	
3-37	K 5 0 1 0 5 2 5 3 2 2	0.5SPCC washer 2532		} Washer for adjustment
3-38	K 5 0 1 0 3 2 0 2 8 0	0.3SPCC washer 2028		
3-39	K 5 0 1 1 0 2 0 2 8 2	1SPCC washer 2028		

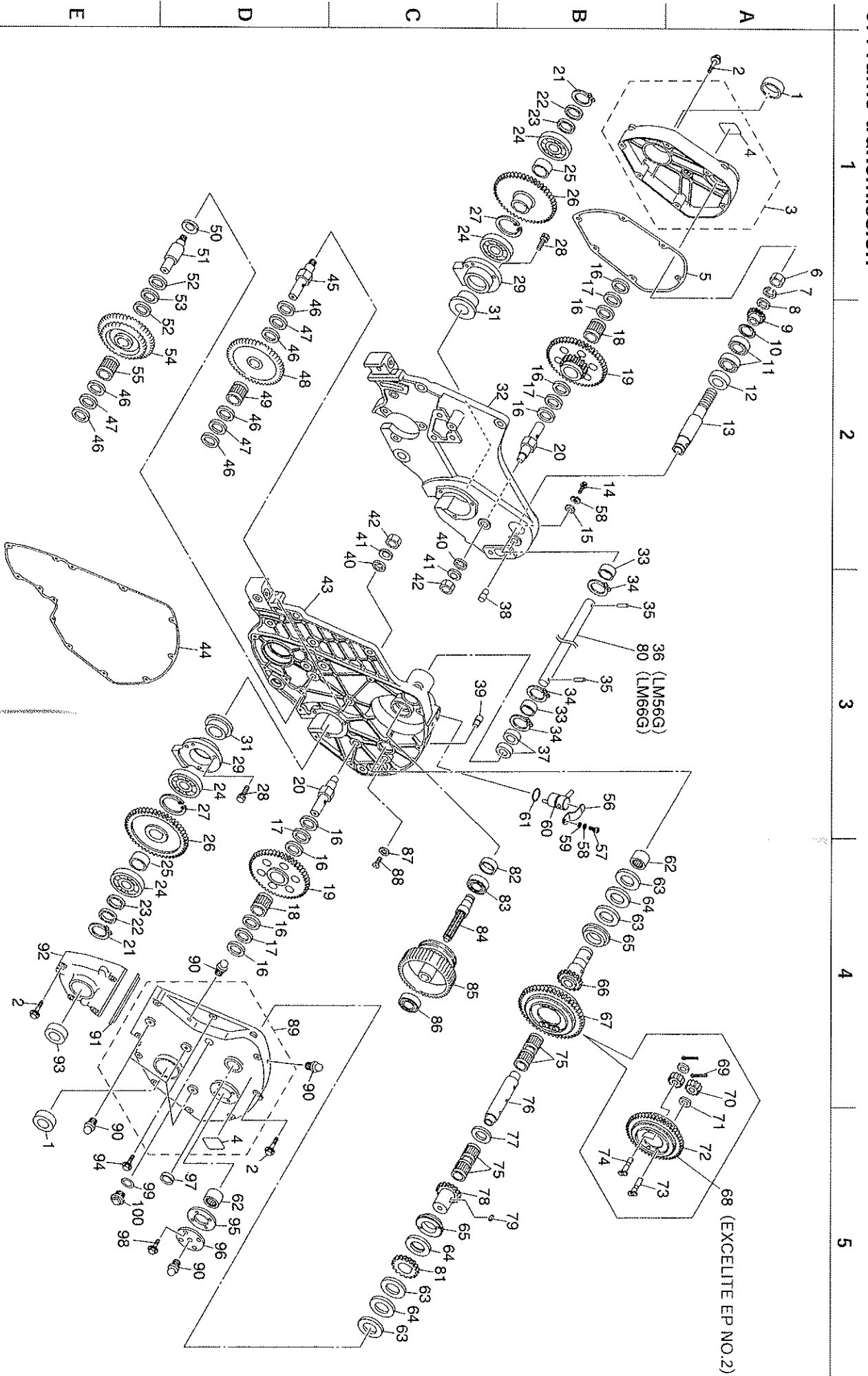
4. Clutch



Catalog No.	Code No.	Part Name	Qty /Unit	Notes
4-1	LM56G--2204Z0	Clutch cover with mark S	1	
4-2	LM66G--0309Z0	Clutch cover with mark	1	
4-3	K1320000170	Knob 3210 with M6	1	
4-4	K4510615120	Rivet (AVEX 1661-0512)	8	
4-5	K4520000120	Hinge plate 4035 with 4.2 hole	2	
4-6	K4205001280	Danger mark	1	
4-7				
4-8	K4205001310	Safety instructions mark	1	
4-9	K4203001110	Clutch mark (Large)	1	
4-10	K4205001290	Health and safety warning mark	1	
4-11	K0000060302	6 bolt 30	2	
4-12	K0100060002	6 nut	1	
4-13	K0000060152	6 bolt 15	3	
4-14	K0200060002	6S washer	3	
4-15	K5012306202	2.3 SPCC washer 620	1	
4-16	LM56G--2201ZD	Clutch box S	1	
4-17	K0200080002	8S washer	6	
4-18	K0000080152	8 bolt 15	4	
4-19	LM56G--2202Z2	Clutch lever S	1	
4-20	K5000060002	6 washer	1	
4-21	K0143060002	6 nut with disc spring	1	
4-22	K6911000050	Engine clutch	1	
4-23	K0616062020	Bearing 6202NSEC3	1	
4-24	LM56G--0305Z0	Clutch shaft ass'y 56	1	
4-25	LM66G--0305Z0	Clutch shaft ass'y 66	1	
4-26	K6911000043	Disc receiver 15	1	
4-27	K0310050402	5 tapered pin 40	1	
4-28	LM56G--0308Z2	Clutch shaft	1	
4-29	LM66G--0308Z2	Clutch shaft	1	
4-30	K1000000160	3.5 compression spring 3415	1	
4-31	K1810000030	Clutch Disk	1	
4-32	LM56G--0304Z2	Clutch plate	1	
4-33	K0659000020	Release bearing RCT2850	1	
4-34	LM56G--2203Z2	Support plate S	1	
4-35	K0811930070	Oil seal MHS19307	1	

Catalog No.	Code No.	Part Name	Qty /Unit	Notes
4-36	K0616062030	Bearing 6203NSEC3	2	
4-37	K0402040001	Stop ring R40	1	
4-38	LM56G--0208Z0	1 shaft collar	1	
4-39	K6180000140	16-tooth gear	1	
4-40	K5002100002	10 washer 22	1	
4-41	K0213100002	10 disc spring washer 1H	1	
4-42	K0160000282	10 nut 3P1OH1	1	
4-43	LM56G--0307AR	Clutch cover receiver	1	
4-44	LM66G--0307ZR	Clutch cover receiver	1	
4-45	K0000080122	8 bolt 12	2	
4-46				

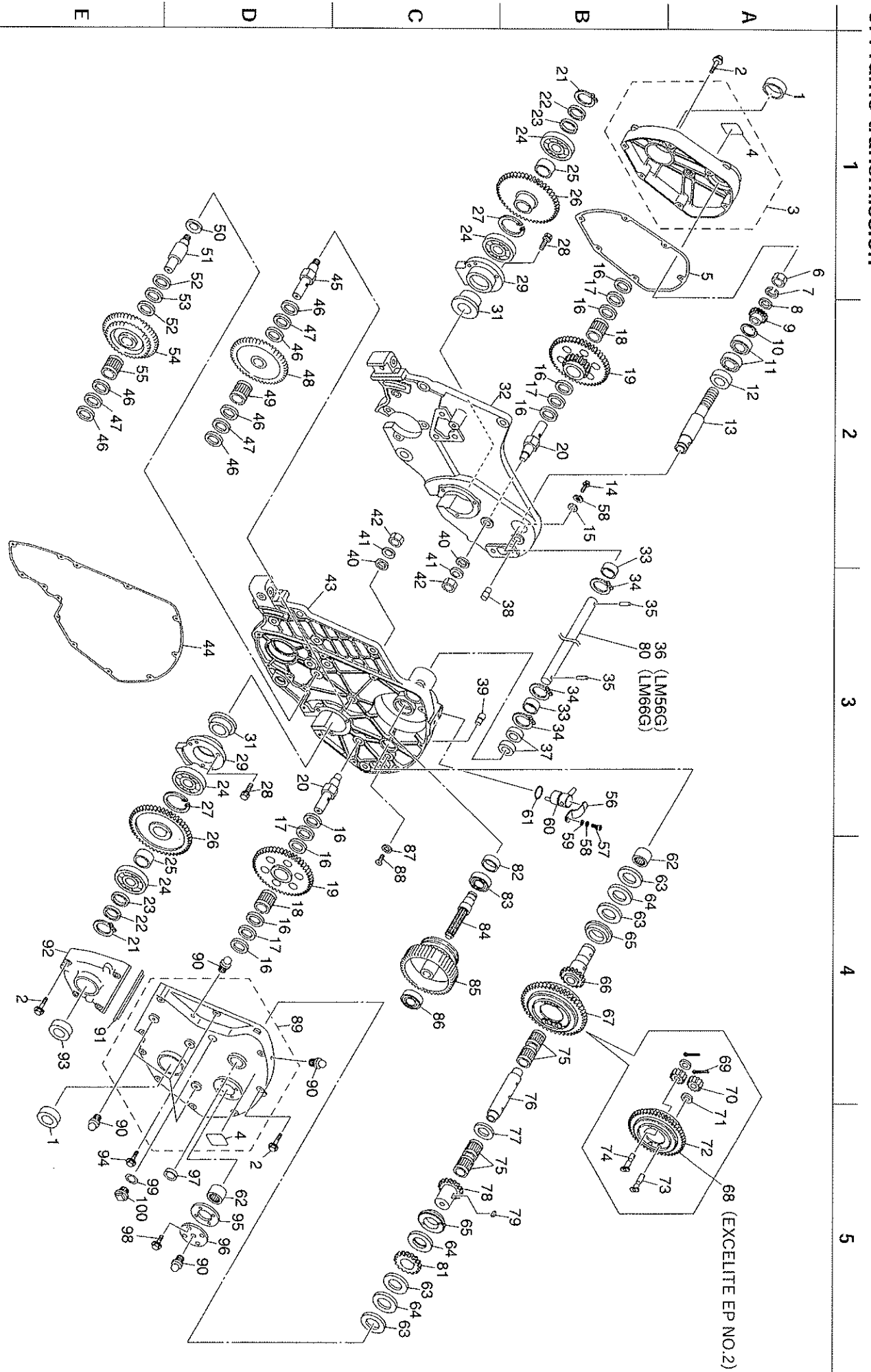
5. Frame transmission



Catalog No.	Code No.	Part Name	Qty /Unit	Notes
5-1	K0822047060	Oil seal MHSA20476	2	
5-2	K0007060452	6 bolt 45SW	18	
5-3	LM56G--0613Z0	Right cover with mark	1	
5-4	K4209000370	Greasing 10-hr mark	2	
5-5	LM56G--0609Z0	Right packing	1	
5-6	K0183140002	14 left-hand thread nut P1.5	1	
5-7	K0210140001	14 disc spring L	1	
5-8	K5000140002	14 washer	1	
5-9	K6188000010	18-tooth gear with screw M2	1	
5-10	K0402035001	Stop ring R35	1	
5-11	K0616062020	Bearing 6202NSEC3	2	
5-12	K0802030050	Oil seal MH20305	1	
5-13	K6122000188	Right transmission shaft	1	
5-14	K000060152	6 bolt 15	1	
5-15	K5012306202	2.3SPCC washer 620	1	
5-16	K5051013220	1C5191P washer 1322	8	
5-17	K5020813220	0.8NBS55 washer 1322	4	
5-18	K0711317200	Needle KTW131720	2	
5-19	LM55GB-0219C0	46-tooth 16-tooth gear	2	
5-20	LM56G--0204Z0	Drum side No.4 shaft	2	
5-21	K0401020001	Stop ring S20	2	
5-22	K5010320282	0.3SPCC washer 2028	2	
5-23	K5011020282	1SPCC washer 2028	2	
5-24	K0601062040	Bearing 6204C3	4	
5-25	LM55GB-0234A0	Left collar	2	
5-26	LM55GB-0221C0	46-tooth axle gear	2	
5-27	K0402047001	Stop ring R47	2	
5-28	K0006080302	8 bolt 30S	6	
5-29	LM56G--0615Z0	Drum housing	2	
5-30				
5-31	K0830000020	Oil seal 254210	2	
5-32	LM56G--0602BR	Right frame	1	
5-33	LM55GB-0224Z2	Differential joint shaft collar	2	
5-34	K0403018001	Stop ring round S18	3	
5-35	K0311040170	4 needle roller 17.8	2	

Catalog No.	Code No.	Part Name	Qty /Unit	Notes
5-36	LM56G--0205Z8	Transmission shaft	1	
5-37	K0870182640	Seal for needle OS18264	2	
5-38	K6155000042	Handle mounting pin R	1	
5-39	K6155000152	Handle mounting pin L	1	
5-40	K5000100002	10 washer	3	
5-41	K0211100001	10 disc spring H	3	
5-42	K0160000282	10 nut 3P10H1	3	
5-43	LM56G--0601BR	Left frame	1	
5-44	LM56G--0608Z0	Left packing	1	
5-45	LM55GB-0201A0	No.2 shaft	1	
5-46	K5051013280	1C5191P washer 1328	6	
5-47	K5020813280	0.8NBS55 washer 1328	3	
5-48	LM56G--0103A0	46-tooth gear	1	
5-49	K0701317120	Needle KT131712	1	
5-50	K0211120001	12 disc spring H	1	
5-51	LM55GC-0102Z0	Reel intermediate shaft	1	
5-52	K5051015280	1C5191P washer 1528	2	
5-53	K5020815280	0.8NBS55 washer 1528	1	
5-54	LM56G--0104B0	36-tooth 45-tooth gear	1	
5-55	K0701519180	Needle KT151918	1	
5-56	K1090000058	Clutch retainer spring	1	
5-57	K000060102	6 bolt 10	1	
5-58	K0200060002	6S washer	2	
5-59	K5000060002	6 washer	1	
5-60	LM56G--0206Z8	Changeover clutch lever	1	
5-61	K0880021000	O-ring P21	1	
5-62	K0722210000	Needle TA2210Z	2	
5-63	K5051022300	1C5191P washer 2230	4	
5-64	K5020822300	0.8NBS55 washer 2230	3	
5-65	K6202000140	Differential gear bearing	2	
5-66	LM55GB-0210A3	16-tooth right differential gear	1	
5-67	K8000000030	50-tooth differential gear ass'y	1	
5-68	K2931000000	Excelite EP NO.2	50g	
5-69	K0300025162	2.5 cotter pin 16	4	
5-70	K6191000040	Differential pinion gear 12	4	

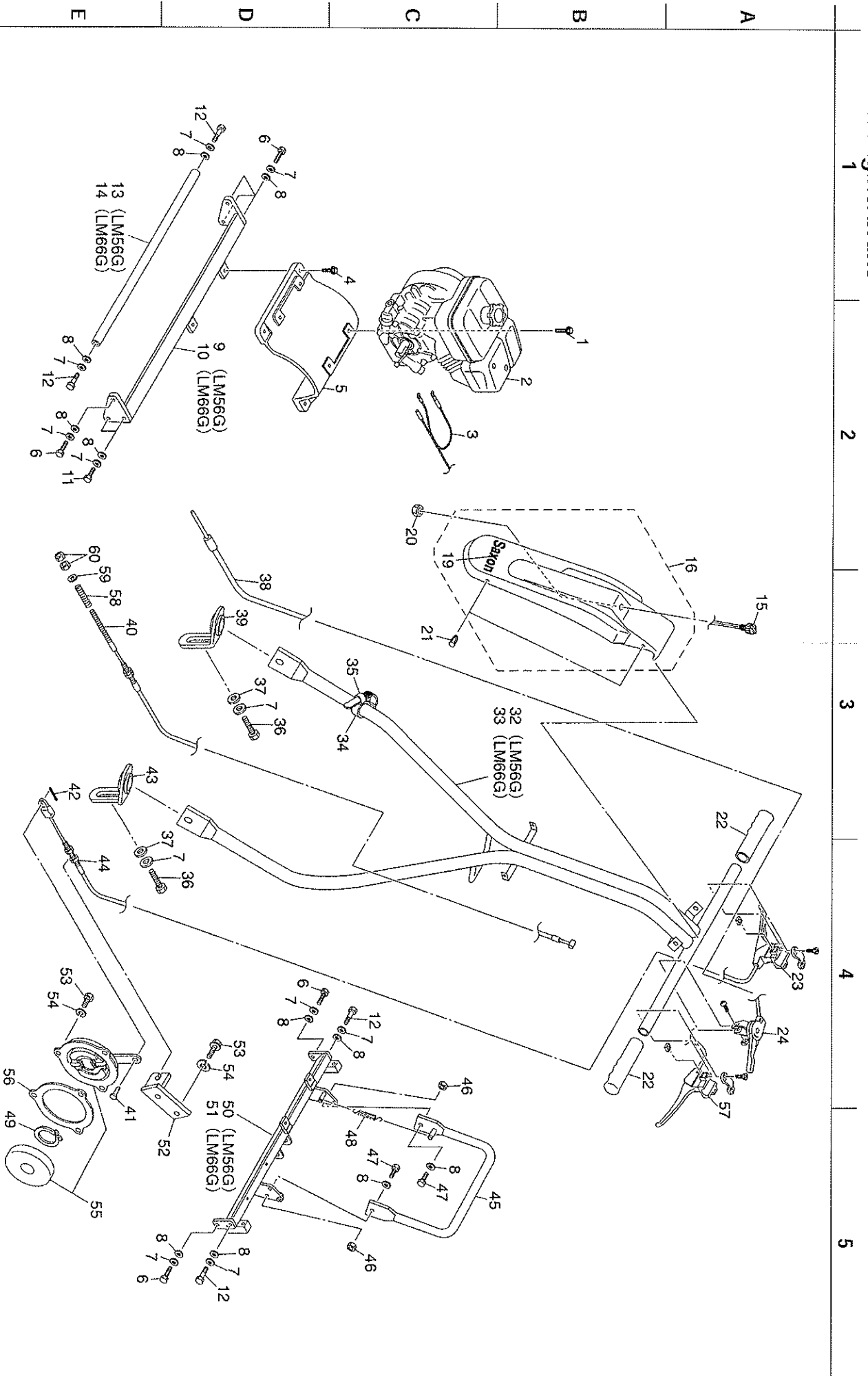
5. Frame transmission



Catalog No.	Code No.	Part Name	Qty /Unit	Notes
5-71	K 6 2 1 1 0 0 0 1 8 0	7SGP collar 10.57	4	
5-72	K 7 0 0 1 0 0 0 0 2 0	Differential 50-tooth gear	1	
5-73	K 6 0 3 3 0 0 0 0 6 0	Differential pin 7.5	2	
5-74	K 6 0 3 3 0 0 0 0 7 0	Differential pin 15	2	
5-75	K 0 7 0 1 0 1 3 1 0 0	Needle KT101310	4	
5-76	K 6 1 5 0 0 0 0 1 5 0	10 differential pin 55	1	
5-77	K 5 0 5 1 0 1 0 2 2 0	1C5191P washer 1022	1	
5-78	L M 5 5 G B - 0 2 0 9 C 0	16-tooth left differential gear	1	
5-79	K 0 5 2 0 5 0 4 0 6 0	5 one-end round key 46.3	1	
5-80	L M 6 6 G - - 0 2 0 5 Z 8	Transmission shaft	1	
5-81	L M 5 5 G B - 0 2 1 4 A 0	18-tooth left gear	1	
5-82	K 0 8 1 1 5 2 8 0 7 0	Oil seal MHS15287	1	
5-83	K 0 6 1 2 0 6 0 0 2 0	Bearing 60022RD	1	
5-84	L M 5 6 G - - 0 1 0 8 Z 0	No.2 shaft	1	
5-85	L M 5 6 G - - 0 1 0 2 A 0	51-tooth gear	1	
5-86	K 0 6 1 2 0 6 0 0 1 0	Bearing 60012RD	1	
5-87	L M 5 5 G B - 0 6 1 4 Z 3	Handle pin washer	1	
5-88	K 0 0 4 1 0 6 0 1 2 2	6 + countersunk head screw 12	1	
5-89	L M 5 6 G - - 0 6 1 2 Z 0	Left large cover with mark	1	
5-90	K 1 4 4 0 0 0 0 0 1 0	Grease nipple	8	
5-91	L M 5 6 G - - 0 6 1 1 Z 0	Joint packing	1	
5-92	L M 5 6 G - - 0 6 0 4 Z R	Left small cover	1	
5-93	K 0 8 2 2 8 4 0 0 8 0	Oil seal MHS A28408	1	
5-94	K 0 0 0 7 0 6 0 2 5 2	6 bolt 2SSW	1	
5-95	L M 5 5 G B - 0 2 0 8 Z 0	3-shaft packing	1	
5-96	L M 5 5 G B - 0 2 1 7 Z 0	Bearing retainer	1	
5-97	K 0 8 9 0 0 0 0 0 3 0	Plug 25	1	
5-98	K 0 0 0 7 0 6 0 1 5 2	6 bolt 1SSW	4	
5-99	K 4 0 1 0 2 1 7 2 5 0	2 oil seat 17.525	1	
5-100	K 1 4 0 0 0 0 0 0 1 0	Oil plug 18	1	

Catalog No.	Code No.	Part Name	Qty /Unit	Notes

6. Handle/engine/brake





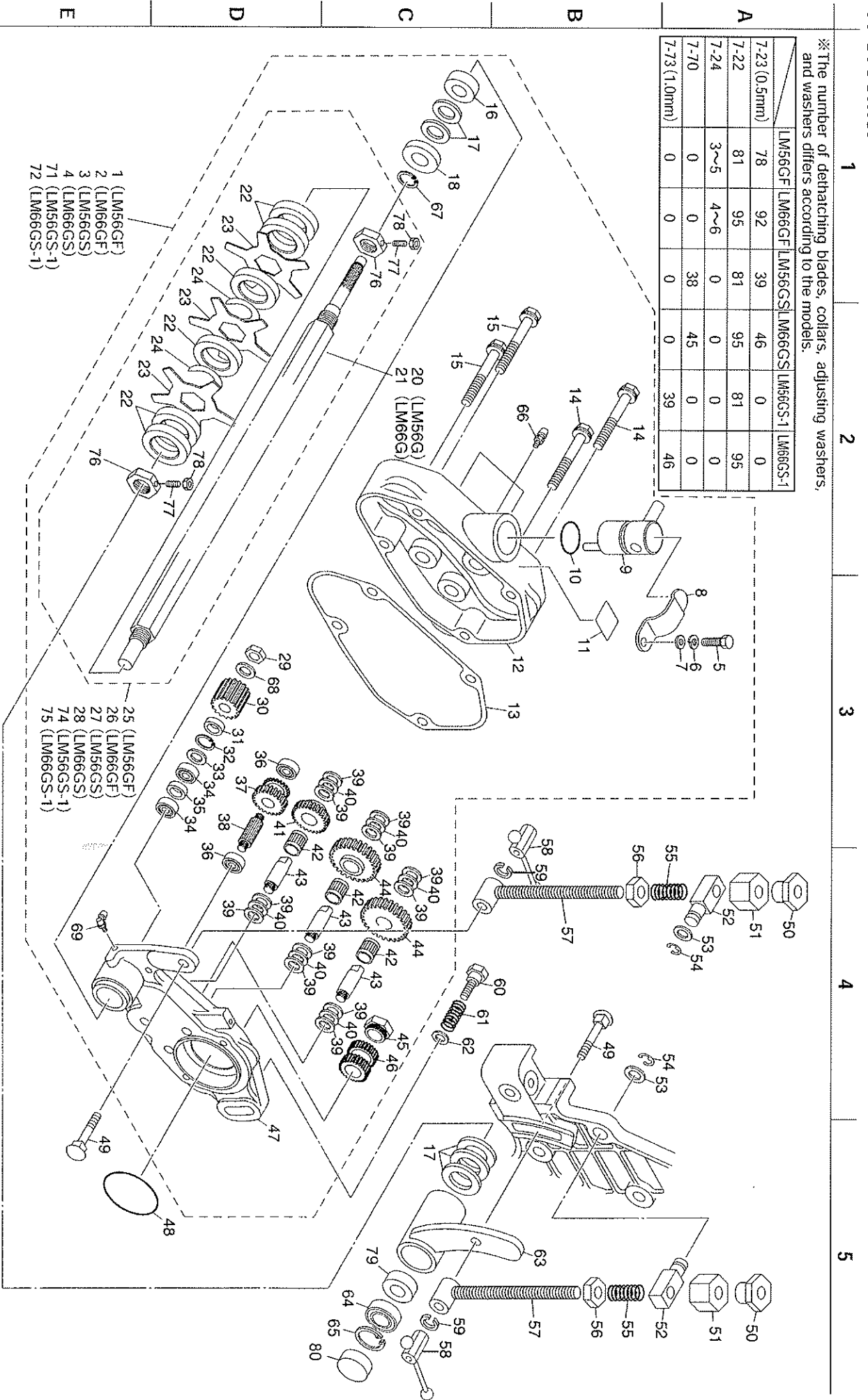
Catalog No.	Code No.	Part Name	Qty /Unit	Notes
6-1	K 0 0 0 7 0 8 0 4 0 2	8 bolt 40SW	4	
6-2	K 2 6 2 0 0 0 0 3 7 0	Robin EX13D	1	
6-3	K 3 6 2 0 0 0 0 5 5 0	Engine switch cord 8A	1	
6-4	K 0 0 0 7 0 8 0 3 0 2	8 bolt 30SW	4	
6-5	K 6 8 1 0 0 0 0 0 6 0	Engine base M	1	
6-6	K 0 0 0 0 1 0 0 3 5 2	10 bolt 35	6	
6-7	K 0 2 1 3 1 0 0 0 0 2	10 disc spring washer 1H	14	
6-8	K 5 0 0 0 1 0 0 0 0 2	10 washer	14	
6-9	L M 5 6 G -- 0 7 0 6 Z R	Front frame stay	1	
6-10	L M 6 6 G -- 0 7 0 6 Z R	Front frame stay	1	
6-11	K 0 0 0 0 1 0 0 3 0 2	10 bolt 30	2	
6-12	K 0 0 7 1 0 0 0 5 9 2	M10 knook bolt 40	4	
6-13	L M 5 6 G -- 0 7 0 5 Z 2	Front stay pipe	1	
6-14	L M 6 6 G -- 0 7 0 5 Z 2	Front stay pipe	1	
6-15	K 3 6 6 2 0 0 0 0 5 0	Engine switch	1	
6-16	L M 5 6 G -- 2 5 0 3 Z 0	Handle cover with mark S	1	
6-17				
6-18				
6-19	K 4 2 0 1 0 0 0 4 2 0	Saxon mark 106	1	
6-20	K 0 1 4 3 0 8 0 0 0 2	8 nut with disc spring	1	
6-21	K 4 0 2 1 0 0 0 0 1 0	Anchor clip 7.5	4	
6-22	K 1 3 0 0 0 0 0 1 4 0	Handle grip black 21	2	
6-23	K 1 2 1 1 2 6 0 0 4 0	Clutch lever E126004	1	
6-24	K 1 2 0 3 5 2 1 0 0 0	Throttle lever E352100	1	
6-25				
6-26				
6-27				
6-28				
6-29				
6-30				
6-31				
6-32	L M 5 6 G -- 2 5 0 1 Z L	Handle 56S	1	
6-33	L M 6 6 G -- 0 7 0 1 Z L	Handle 66	1	
6-34	K 4 2 4 1 0 0 0 0 1 0	Nylon band 140	3	
6-35	K 4 2 4 1 0 0 0 0 7 0	Urethane tube 7	3	

Catalog No.	Code No.	Part Name	Qty /Unit	Notes
6-36	K 0 0 1 0 1 0 0 2 5 1	10 heat-treated bolt 25	2	
6-37	K 5 0 1 2 3 1 0 2 5 2	2.3SPCC washer 1025	2	
6-38	K 1 1 1 0 1 1 7 0 0 0	Throttle wire 1170	1	
6-39	L M 2 2 G E -- 0 7 1 6 Z 0	Right handle adjuster	1	
6-40	K 1 1 3 0 1 3 7 4 0 0	Clutch wire 1374	1	
6-41	K 6 0 3 0 0 5 0 1 2 2	5 flat head pin 12	2	
6-42	K 0 3 0 0 0 2 0 1 2 2	2 cotter pin 12	2	
6-43	L M 2 2 G E -- 0 7 1 5 Z 0	Left handle adjuster	1	
6-44	K 1 1 2 0 1 3 4 7 0 0	Brake wire 1347	1	
6-45	L M 5 6 G -- 0 7 0 8 Z L	Stand	1	
6-46	K 0 1 0 0 1 0 0 0 0 2	10 nut	2	
6-47	K 0 0 0 0 1 0 0 2 5 2	10 bolt 25	2	
6-48	K 1 0 2 0 0 0 0 1 9 8	2.6 round hook spring 15.584	1	
6-49	K 0 4 0 1 0 1 4 0 0 1	Stop ring S14	1	
6-50	L M 5 6 G -- 0 7 0 7 Z R	Rear frame stay	1	
6-51	L M 6 6 G -- 0 7 0 7 Z R	Rear frame stay	1	
6-52	L M 5 6 G -- 1 1 0 2 Z 2	Wire mounting bracket	1	
6-53	K 0 0 0 0 0 6 0 1 5 2	6 bolt 15	5	
6-54	K 0 2 0 0 0 6 0 0 0 2	6S washer	5	
6-55	K 1 7 2 0 0 0 0 1 5 0	Brake ass'y 62	1	
6-56	K 4 0 1 9 0 0 0 0 2 0	Brake cover packing	1	
6-57	K 1 2 1 1 4 6 0 0 1 0	Clutch lever E146001	1	
6-58	K 1 0 0 0 0 0 0 8 2 D	2.6 compression spring 17.2 70	1	
6-59	K 5 0 0 0 0 8 0 0 0 2	8 washer	1	
6-60	K 0 1 0 0 0 8 0 0 0 2	8 nut	2	

# 7. Groomer

\*The number of detaching blades, collars, adjusting washers, and washers differs according to the models.

	1	2	3	4	5
7-23 (0.5mm)	78	92	39	46	0
7-22	81	95	81	95	81
7-24	3~5	4~6	0	0	0
7-10	0	0	38	45	0
7-73 (1.0mm)	0	0	0	0	39



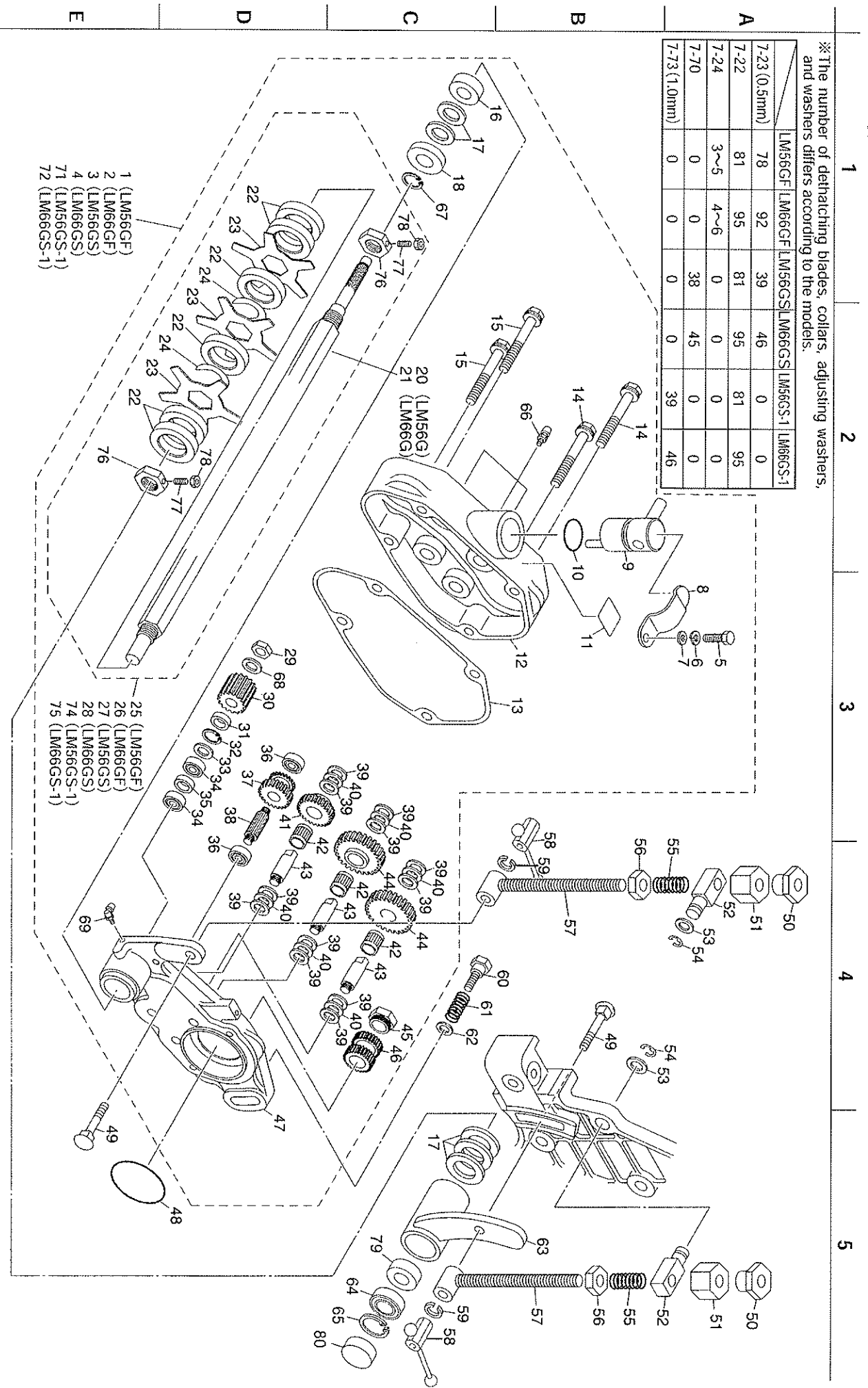
Catalog No.	Code No.	Part Name	Qty /Unit	Notes
7-1	LM 566G--2601Z0	56 groomer gear 78 ass'y	1	
7-2	LM 666G--1220Z0	66 groomer gear 92 ass'y	1	
7-3	LM 566G--1501Z0	56 groomer gear 39 ass'y	1	
7-4	LM 666G--1501Z0	66 groomer gear 46 ass'y	1	
7-5	K 0000060102	6 bolt 10	1	
7-6	K 0200060002	6S washer	1	
7-7	K 5000060002	6 washer	1	
7-8	K 10900000058	Clutch retainer spring	1	
7-9	K 7321000148	Vertical clutch lever	1	
7-10	K 0880018000	O-ring P18	1	
7-11	K 4203001120	Groomer indication mark	1	
7-12	K 690200004R	Gear case cover	1	
7-13	K 4011000320	Gear case cover packing	1	
7-14	K 0007060502	6 bolt 50 SW	2	
7-15	K 0007060402	6 bolt 40SW	2	
7-16	K 0821522070	Oil seal MHS1A15227	1	
7-17	K 5051015280	1C5191P washer 1528	5	
7-18	K 5300000293	Dustproof cover	1	
7-19				
7-20	K 6084000118	Vertical blades shaft	1	
7-21	LM 666G--1211Z8	Vertical blades shaft	1	
7-22	K 6214000030	19.7 AC Collar 326.1	81	
7-23	K 257000019	Deathatching blade	78	
7-24	K 5090000673	0.5SPCC adjusting washer	5	
7-25	LM 566G--1219Z0	Groomer reel 78C0MP	1	
7-26	LM 666G--1219Z0	Groomer reel 92C0MP	1	
7-27	LM 566G--1502Z0	Groomer reel 39C0MP	1	
7-28	LM 666G--1502Z0	Groomer reel 46C0MP	1	
7-29	K 0160000322	10 left-hand thread nut P1	1	
7-30	K 6180000160	20-tooth vertical gear	1	
7-31	K 6212001910	12.1 STKM collar 176	1	
7-32	K 0402024001	Stop ring R24	1	
7-33	K 0220160110	16011 corrugated washer	1	
7-34	K 0611069010	Bearing 6901RDC3	2	
7-35	K 6212001590	12.1STKM collar 1714	1	

Catalog No.	Code No.	Part Name	Qty /Unit	Notes
7-36	K 0608060000	Bearing 60002RS	2	
7-37	K 6180000150	23-tooth clutch gear	1	
7-38	K 6100000100	Clutch shaft	1	
7-39	K 5051010160	1C5191P washer 1016	12	
7-40	K 5020810160	0.8NBSS5 washer 1016	6	
7-41	K 6186000040	18-tooth gear B	1	
7-42	K 0701013100	Needle KT101310	3	
7-43	K 6120000310	Intermediate shaft	3	
7-44	K 6186000050	24-tooth gear	2	
7-45	LM 566G--1208A0	Reel gear securing nut	1	
7-46	LM 566G--1204Z0	20-tooth gear	1	
7-47	K 690100013R	Vertical gear case	1	
7-48	K 0882045000	O-ring G45	1	
7-49	K 0025083202	8 square-root round-head bolt 55	2	
7-50	LM 566G--1216Z2	8 special nut B	2	
7-51	LM 566G--1215Z2	8 special nut A	2	
7-52	LM 566G--1217Z2	Adjusting bush	2	
7-53	K 5011013222	1SPCC washer 1322	2	
7-54	K 0400010002	Stop ring E10	2	
7-55	K 1000000238	1.4 compression spring 13.432	2	
7-56	K 0100080002	8 nut	2	
7-57	LM 566G--1218Z2	Adjusting screw 108	1	
7-58	K 1330000050	Screw with handle P1.25	2	
7-59	K 0200080002	8S washer	2	
7-60	K 6083000143	Right case locking bolt	1	
7-61	K 1000000309	1.6 compression spring 13.720	1	
7-62	K 5090000250	2C5191P washer 8.522	1	
7-63	LM 566G--1212BR	Left vertical housing	1	
7-64	K 0608069020	Bearing 69022RS	1	
7-65	K 0402028001	Stop ring R28	1	
7-66	K 1440000010	Grease nipple	3	
7-67	K 0401015001	Stop ring S15	1	
7-68	K 0213100001	10 disc spring washer 1H	1	
7-69	K 1440000020	C-type grease nipple	1	
7-70	K 50900000653	0.5SPCC washer 19.732	0	

# 7. Groomer

※The number of detaching blades, collars, adjusting washers, and washers differs according to the models.

A	LM56GF	LM66GF	LM56GS	LM66GS	LM56GS-1	LM66GS-1
7-23 (0.5mm)	78	92	39	46	0	0
7-22	81	95	81	95	81	95
7-24	3~5	4~6	0	0	0	0
7-70	0	0	38	45	0	0
7-73 (1.0mm)	0	0	0	0	39	46



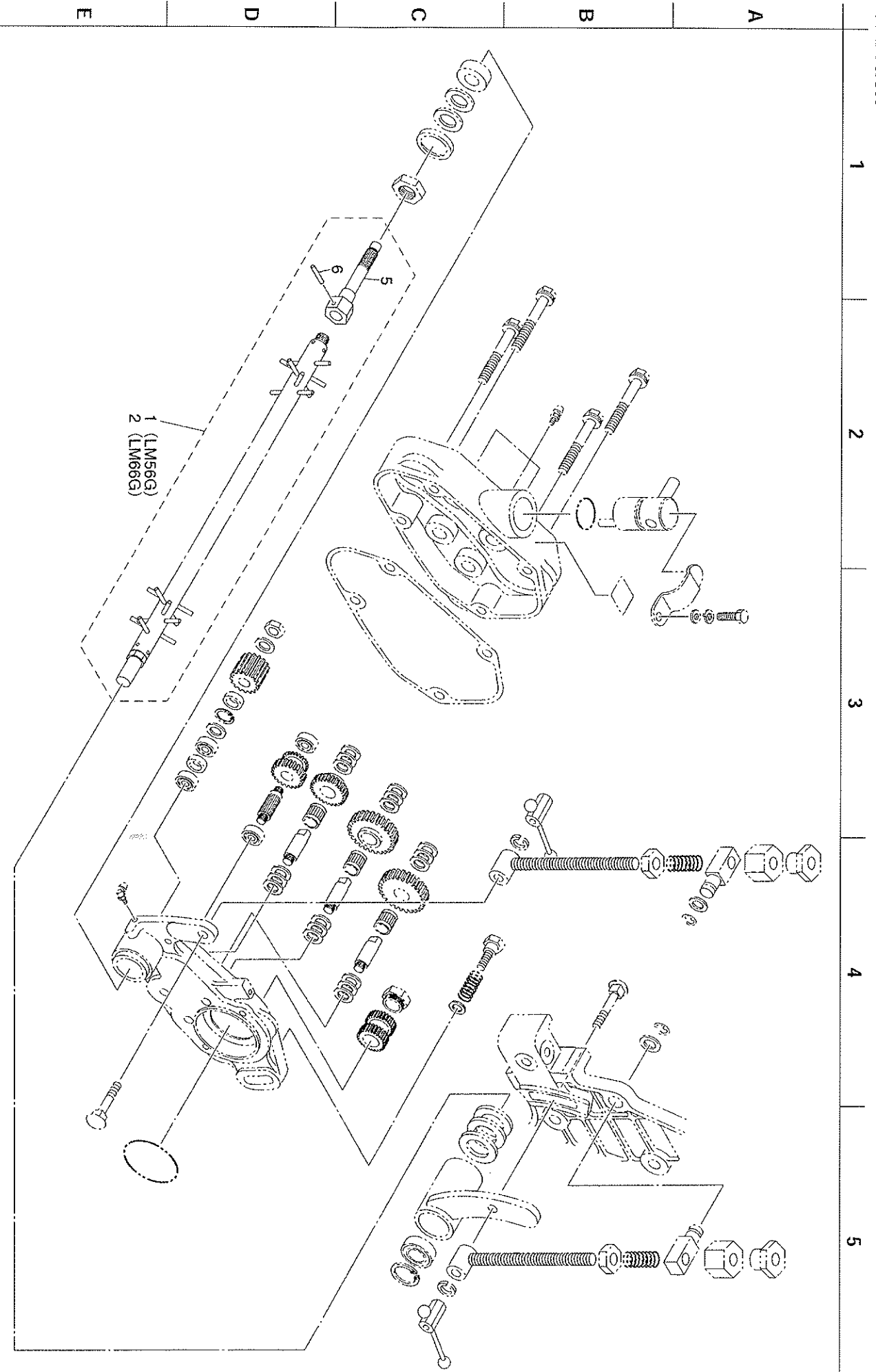
- 1 (LM56GF)
- 2 (LM66GF)
- 3 (LM56GS)
- 4 (LM66GS)
- 71 (LM56GS-1)
- 72 (LM66GS-1)

- 25 (LM56GF)
- 26 (LM66GF)
- 27 (LM56GS)
- 28 (LM66GS)
- 74 (LM56GS-1)
- 75 (LM66GS-1)

Catalog No.	Code No.	Part Name	Qty /Unit	Notes
7-71	LM56G--2101Z0	56 groomer 39-1 Assy	1	
7-72	LM66G--2101Z0	66 groomer 46-1 Assy	1	
7-73	K2570000099	Dehatching blade 63-1	39 or 46	
7-74	LM56G--2102Z0	Groomer reel 39-1COMP	1	
7-75	LM66G--2102Z0	Groomer reel 46-1COMP	1	
7-76	K0160000602	17 special nut P1M4	2	
7-77	K0023000041	4 hollowset 8	2	
7-78	K0100040002	4 nut	2	
7-79	K0821525070	Oil seal MHSA15257	1	
7-80	K0890000060	Stopper 30	1	

Catalog No.	Code No.	Part Name	Qty /Unit	Notes

8. Brush

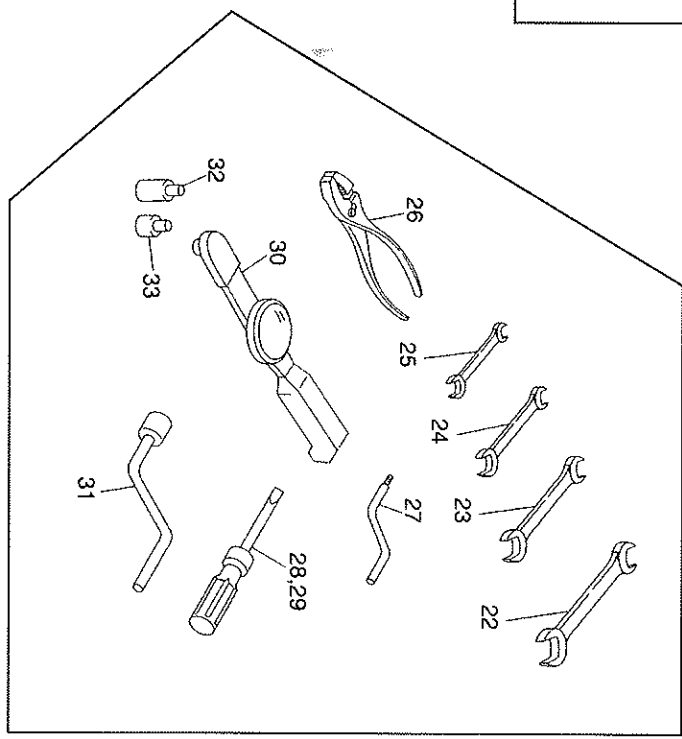
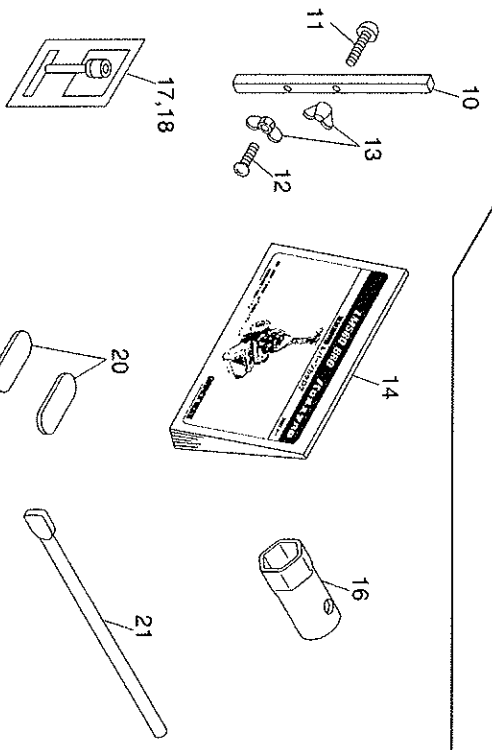
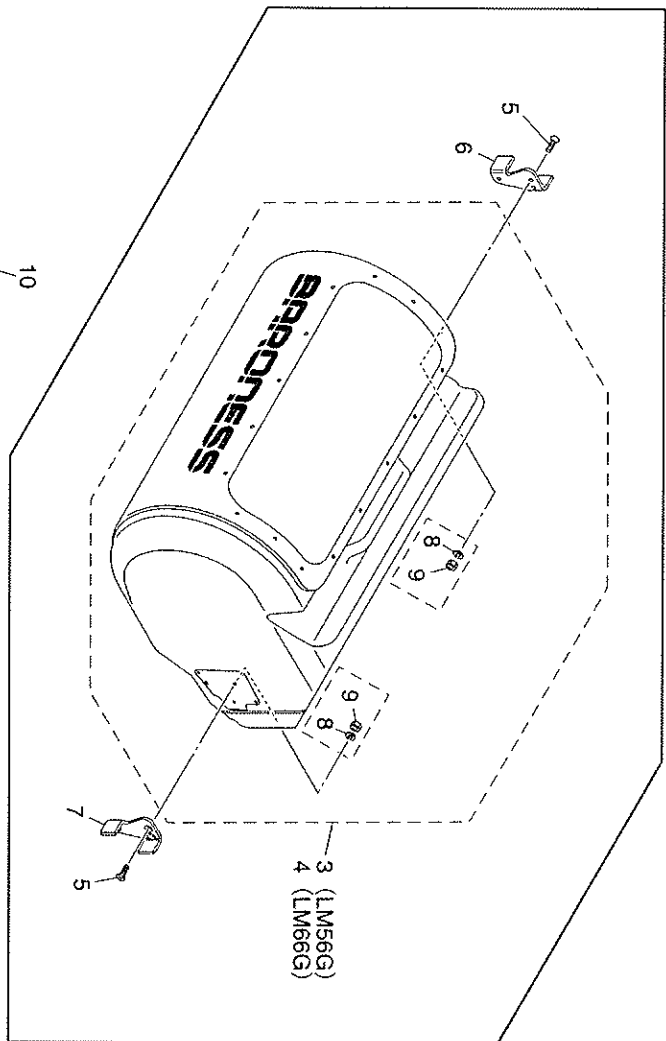


Catalog No.	Code No.	Part Name	Qty /Unit	Notes
8-1	K 4 1 5 0 0 0 1 9 0	Ass'y with brush shaft	1	
8-2	L M 6 6 G -- 1 4 0 4 Z 0	Ass'y with brush shaft	1	
8-3				
8-4				
8-5	K 6 1 0 0 0 0 1 1 8	Brush shaft	1	
8-6	K 0 3 2 0 0 4 0 2 2 1	4 spring pin Z2	1	

Catalog No.	Code No.	Part Name	Qty /Unit	Notes

9. Grass catcher/tool

1 2 3 4 5



Optional Tools

E

D

C

B

A



Catalog No.	Code No.	Part Name	Qty /Unit	Notes
9-1	LM56G--0803Z0	Grass catcher 56 ass'y	1	
9-2	LM66G--0803Z0	Grass catcher 66 ass'y	1	
9-3	LM56G--0804Z0	Grass catcher 56 COMP	1	
9-4	LM66G--0804Z0	Grass catcher 66 COMP	1	
9-5	K0041060202	6 + countersunk head screw 20	4	
9-6	K527600002D	Right latch	1	
9-7	K527600001D	Left latch	1	
9-8	K0200060002	6S washer	4	
9-9	K0100060002	6 nut	4	
9-10	K6090000072	Mowing height gauge 3	1	
9-11	K0046060502	6 + tapping screw C-1 round head 50	1	
9-12	K0046060302	6 + tapping screw C-1 round head 30	1	
9-13	K0141060002	6 wing nut	2	
9-14	LM56G--2006	LM56G parts catalog	1	
9-15				
9-16	K4812170192	Box spanner 17 x 19	1	
9-17	K2620EX13D-01	EX13D Operation Manual	1	
9-18	K2620EX13D-10	EX13D tool	1	
9-19				
9-20	K4802000120	0.5 thickness gauge	2	
9-21	K5402000012	6 shaft 122	1	
9-22	K4810240272	Spanner 24 x 27	1	
9-23	K4810190222	Spanner 19 x 22	1	
9-24	K4810130172	Spanner 13 x 17	1	
9-25	K4810080102	Spanner 8 x 10	1	
9-26	K4830000012	Pliers	1	
9-27	K6125000052	Reel lapping handle	1	
9-28	K4820000010	+ / --- screwdriver	1	
9-29	K4820000020	--- screwdriver through 200	1	
9-30	K48020000370	Torque wrench 6-60	1	
9-31	K48020000382	Lapping handle	1	
9-32	K48020000364	Socket adapter 9.5 x 12.7	1	
9-33	K48020000354	Socket adapter 6.35 x 9.5	1	

Catalog No.	Code No.	Part Name	Qty /Unit	Notes

10. Sulky unit

1

2

3

4

5

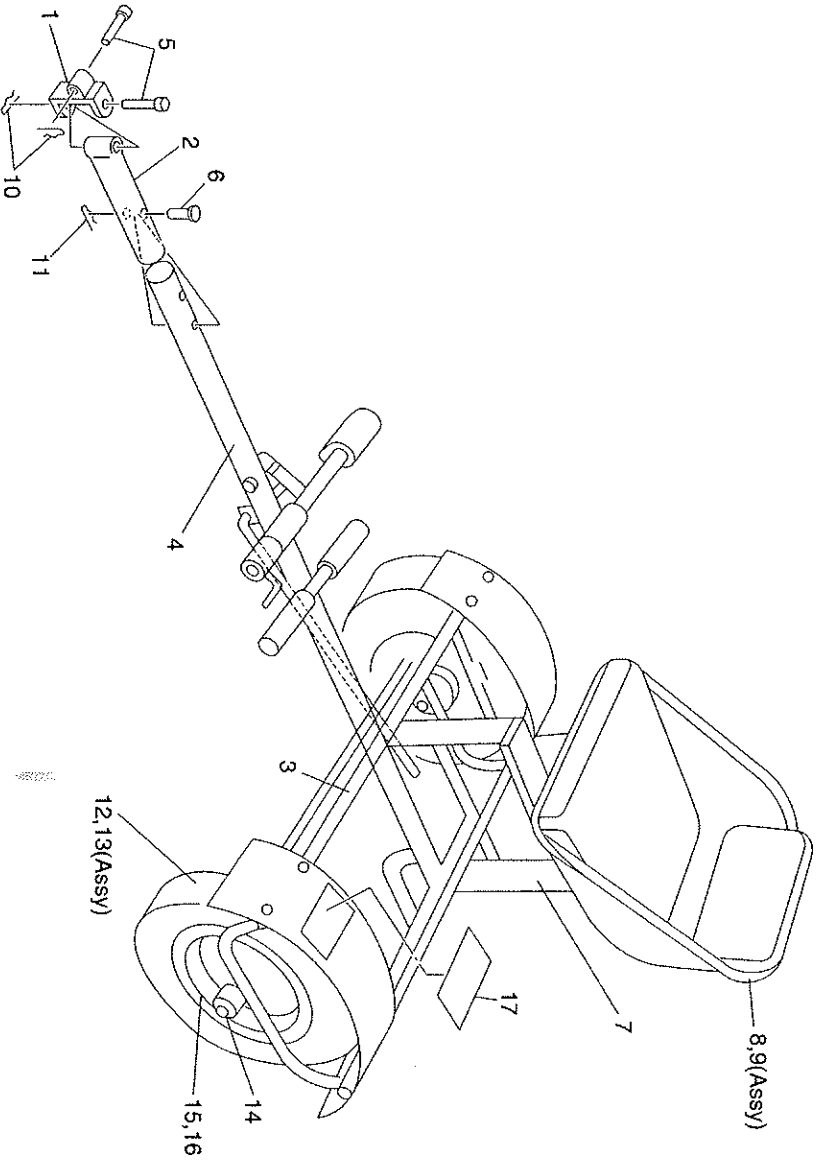
A

B

C

D

E



Catalog No.	Code No.	Part Name	Qty /Unit	Notes
10-1	K 7 1 4 6 0 0 0 0 3 2	13 hitch bracket 44	1	
10-2	K 7 1 4 5 0 0 0 0 3 R	44 joint bracket 200	1	
10-3	K 7 8 9 9 0 0 0 2 3 R	Sulky cargo bed	1	
10-4	K 7 1 4 7 0 0 0 0 4 R	Sulky tow bar 940	1	
10-5	K 6 0 6 2 0 0 0 0 1 2	12.7 hitch pin 66	2	
10-6	K 6 0 4 1 1 0 0 5 4 8	Wheel mounting pin 54	1	
10-7	K 5 2 7 6 0 0 0 1 1 R	Saddle mounting plate	1	
10-8	K 1 7 0 1 0 0 0 0 1 0	Saddle GTM	1	
10-9	K 1 7 0 0 0 0 0 0 4 0	Saddle GTM base ass'y	1	
10-10	K 0 3 3 1 3 0 0 0 0 2	13 snap pin	2	
10-11	K 0 3 3 1 0 0 0 0 0 2	10 snap pin	1	
10-12	K 2 0 3 1 0 0 0 0 4 0	Tire 3.00-8 ZPR	2	
10-13	K 2 0 3 0 0 0 0 0 5 0	Tire 3.00-8 ass'y	2	
10-14	K 2 0 9 1 0 0 0 1 4 0	Tube 3.00-8	2	
10-15	K 2 0 9 0 0 0 0 0 8 L	Wheel 3.00-8 with valve hole	2	
10-16	K 2 0 9 0 0 0 0 0 9 L	Wheel 3.00-8	2	
10-17	K 4 2 0 5 0 0 0 7 1 0	Public road transport sulky caution mark	1	

Catalog No.	Code No.	Part Name	Qty /Unit	Notes

11. Maintenance supplies

1

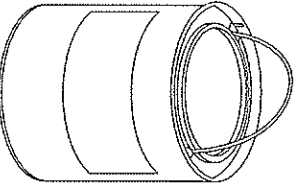
2

3

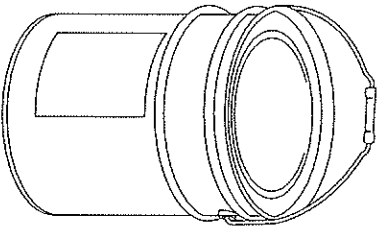
4

5

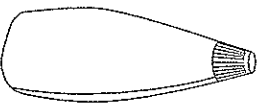
■ DYNAMAX EP1 grease (K2929000000)/for gear transmission and sliding sections



2.5kg Can  
(K2929002500)

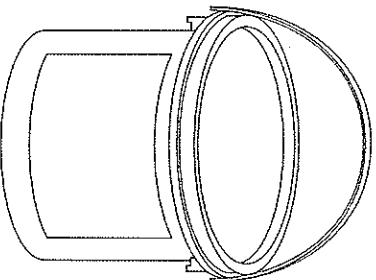


16kg Can  
(K2929016000)



500g tube  
(K2929000500)

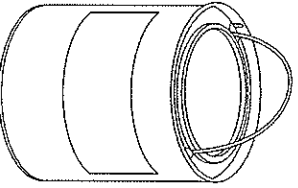
■ Gel compound



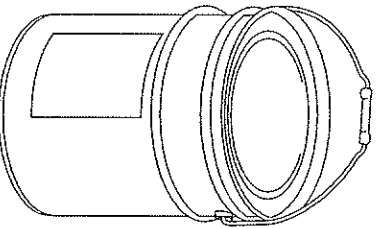
Gel compound #220 1 Can (3.5kg)  
(6902110)

Gel compound #220 1 case (4 Cans)  
(6902111)

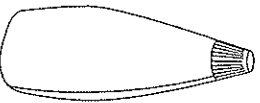
■ Excelite Ep2 grease (K2931000000)/for bearing



2.5kg Can  
(K2931002500)

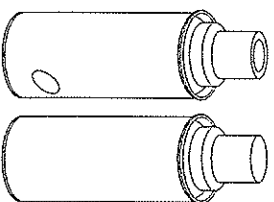


18kg Can  
(2931018000)



400g tube  
(K2931000400)

■ BARONESS lacquer spray (400 ml)



Wine red (750301)  
Light gray (7503021)

A

B

C

D

E

## CE Declaration of Conformity

We, Kyoeisha Co., Ltd. of 1-26 Miyuki-cho, Toyokawa, Aichi-pref. 442-8530 Japan declare that :

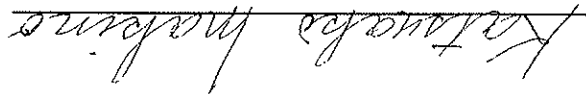
Equipment                      Walk-behind lawnmower  
Model name / number        BARONNESS / LM56GF

in accordance with the following Directives :

98/37/EC                      The Machinery Directive and its amending directives

has been designed and manufactured using the following specifications :

EN 292-1                      Safety of machinery – Basic concepts, general principles for design –  
Part 1 : Basic terminology, methodology  
EN 292-2                      Safety of machinery – Basic concepts, general principles for design –  
Part 2 : Technical principles and specifications  
EN 836                         Garden equipment – Powered lawnmowers – Safety

Signed : 

Name : Katsunaki Makino

Position : Development Dept. Manager

Date : January 23, 2006

**Manufacturers Declaration of Conformity for**

**Product Identification**

Product : Walk-behind lawnmower  
Brand : BARONESS ( Saxon )  
Type : LM56GF  
Starting Serial No. : 10686  
Measured Sound Power Level : LWA 96.98 dB  
Guaranteed Sound Power Level : LWA 98 dB

**Manufacturer**

Name : Kyoetsisha Co., Ltd.  
Address : 1-26 Miyuki-cho, Toyokawa, Aichi-pref., Japan

**Technical Documentation**

Keeper's Name :  
Keeper's Address :

**Conformity Assessment Procedure :**

Internal Control of Production with Assessment of  
Technical Documentation and Periodical Checking  
( Annex VI ) of 2000/14/EC

**Involved Notified Body**

Name : SNC-H  
Address : 11, Route de Sandweiler  
5230 Sandweiler  
Luxembourg

**Technical Construction File**

Date : April 5, 2004  
Technical Construction File No. : No. TC056GF-01  
Test Laboratory

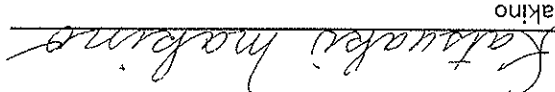
TUV Rheinland Luxembourg GmbH  
Centre Commercial "Le2000" Z.I. Route de Bettembourg  
L-3378 LIVANGE Luxembourg

**Means of conformity**

The product is in conformity with the Directive relating to the noise emission in the environment by  
equipment for use outdoors 2000/14/EC, in accordance with Article 12 of the Directive.

**References of other Community Directives applied**  
98/37/EC

**Signature :**

  
Katsunaki Makino  
Manager

Development Dept.  
Kyoetsisha Co., Ltd.

**Date :**

January 23, 2006





**KYOEISHA CO., LTD.**

Head Office 1-26, Miyuki-cho, Toyokawa,  
Aichi-Pref. 442-8530 Japan.

**BARONESS**

Turf Care Machinery

Tel : (0533)84-1221

Fax : (0533)84-1220