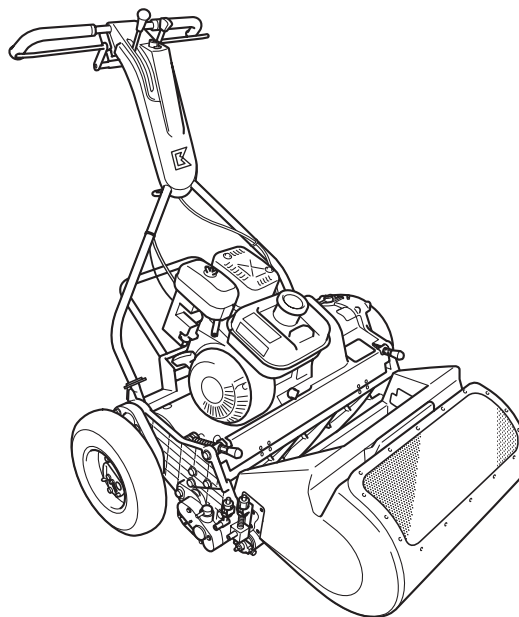


LM56GB · LM66GB · LM66TB

Walk Behind Greens Mower / Walk Behind Tee Mower

Parts Catalog



Serial No. LM56GB : 32750-
LM66GB : 32591-
LM66TB : 31150-

BARONESS[®]
Quality on Demand

Ver.2.5

Contents

PARTS CATALOG	2
1. Blade reel cylinder/bottom blade	3
2. Front roller (Without independent arm).....	7
3. Front roller (For independent arm)	9
4. Drum wheel	11
5. Clutch	13
6. Frame transmission	15
7. Handle/engine/brake	19
8. Groomer	23
9. Brush	27
10. Grass catcher/tool	29
11b. Independent grass catcher arm (LM56G) option.....	31
12. Maintenance supplies.....	33

Walk Behind Greens Mower

LM56GB

LM66GB

Walk Behind Tee Mower

LM66TB

BARONESS[®]

Quality on Demand

Parts Catalog

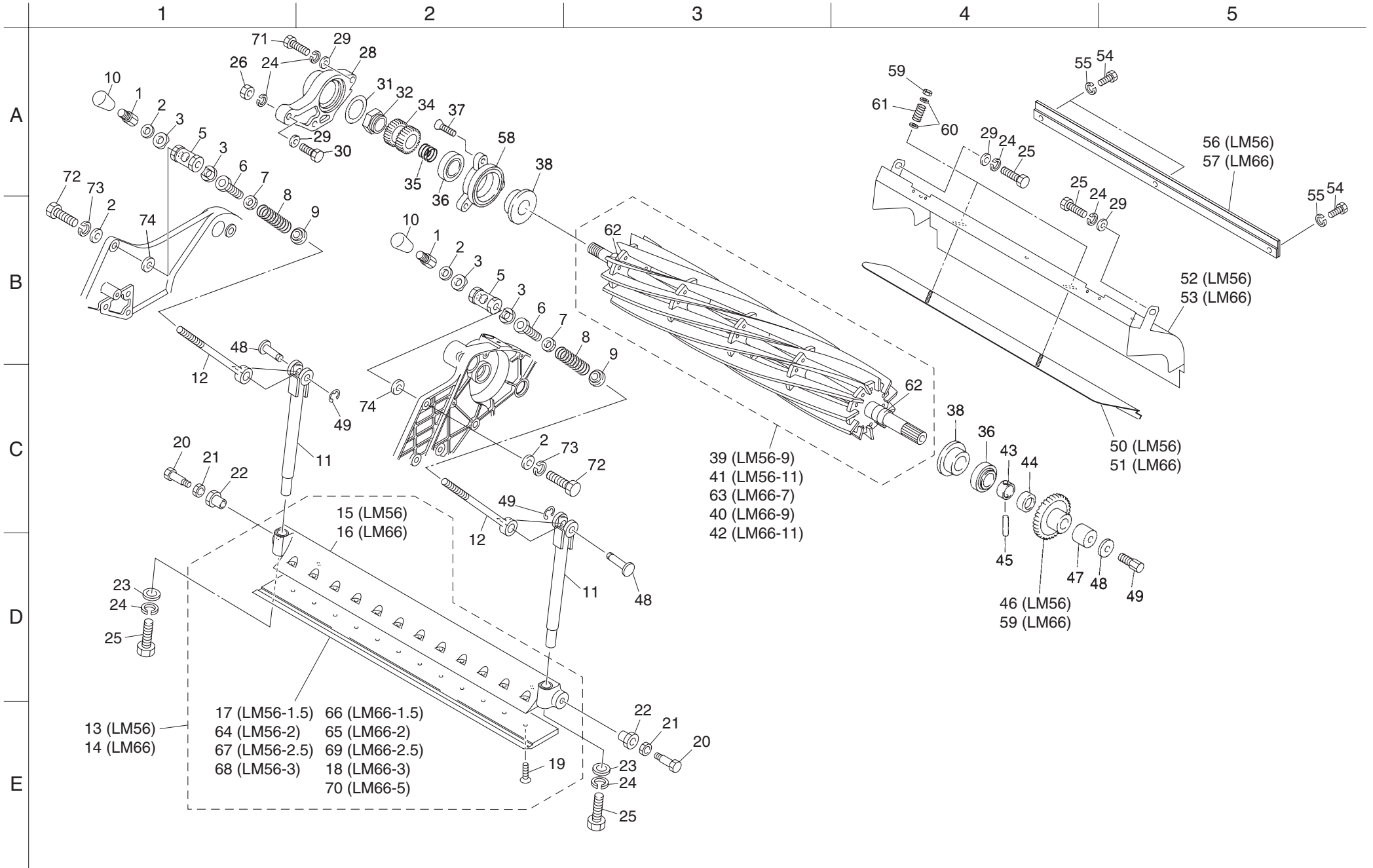
☆ **Ordering parts**

All parts in this parts catalogue are controlled by computer.

For prevention of delivery of wrong parts, advise us of the catalogue No., code No., and part name.

(Example)	Cat No.	Code No.	Part Name	Qty
	101-1	LM56GA-0506Z2	NUT,ADJUSTING BED-KNIFE	2

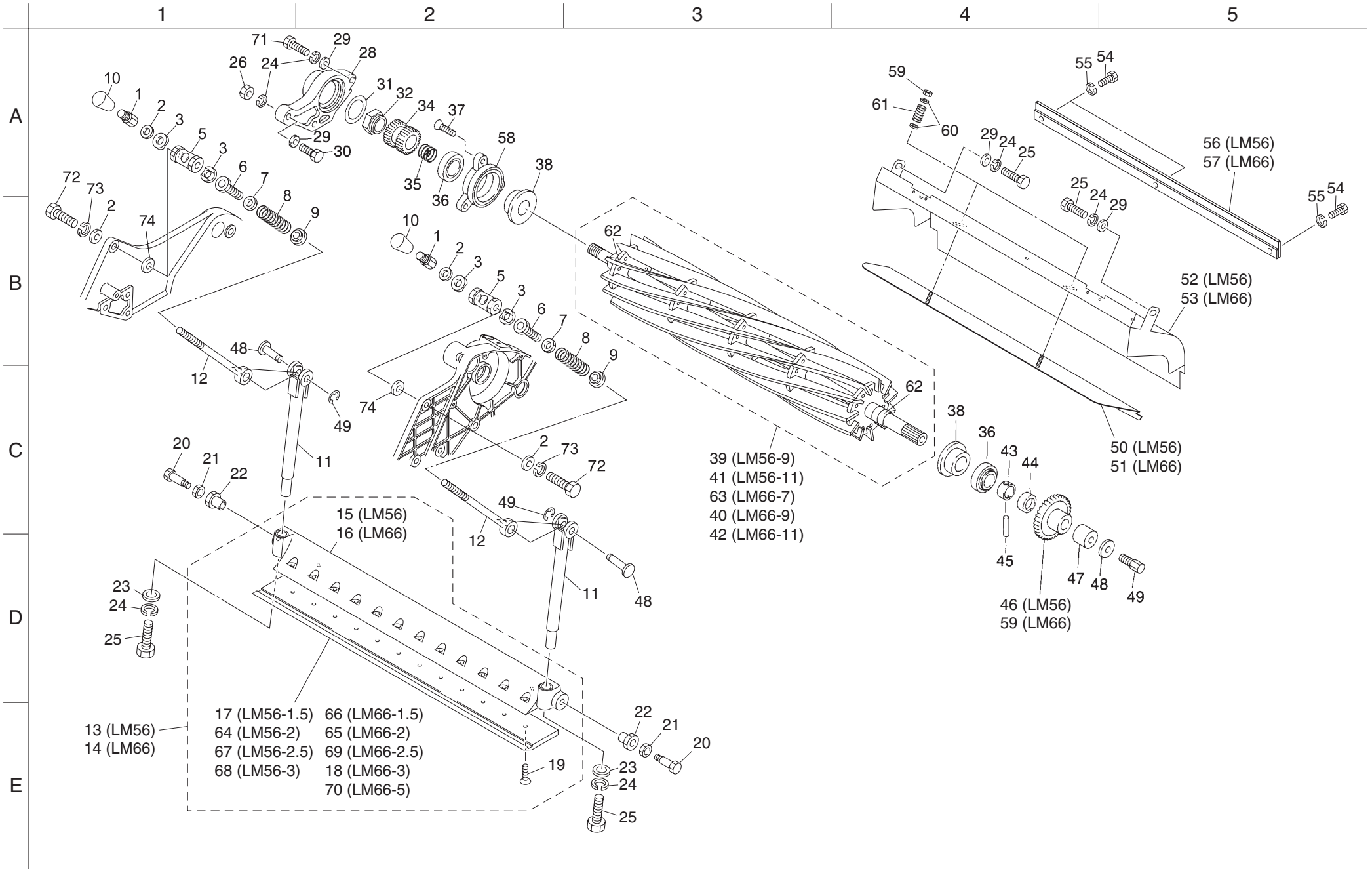
1 Blade reel cylinder/bottom blade



1 Blade reel cylinder/bottom blade

Cat No.	Code No.	Part Name	Qty Unit		Remark	Cat No.	Code No.	Part Name	Qty Unit		Remark
			LM56	LM66					LM56	LM66	
1-1	LM56GA-0506Z2	NUT, ADJUSTING BED-KNIFE	2	2		1-36	K0631302040	BEARING, TAPER ROLLER JRP6 30204	2	2	
1-2	K5000100002	WASHER, M10	4	4		1-37	K0053080202	BOLT, FLAT HEAD WITH HEX. HOLE M8-20	3	3	
1-3	K6500000102	WASHER, SS41 M5-10.5-22	4	4		1-38	K0830000020	OIL SEAL, 254210	2	2	
1-4						1-39	K280561090R	REEL CUTTER (CYLINDER), 557-9 (LM56)	1	0	
1-5	LM56GA-0509A2	FULCRUM	2	2		1-40	K280661090R	REEL CUTTER (CYLINDER), 646-9 (LM66)	0	1	
1-6	LM56G--0504Z2	SCREW, ADJUSTING SPRING	2	2		1-41	K280561010R	REEL CUTTER (CYLINDER), 557-11 (LM56)	1	0	
1-7	K0160000582	NUT, P1.25 M14-3	2	2		1-42	K280661010R	REEL CUTTER (CYLINDER), 646-11 (LM66)	0	1	
1-8	K1000000458	SPRING, COMPRESSION M5-25-60	2	2		1-43	K6213000040	COLLAR, WITH HOLE FOR BEARING (L)	1	1	
1-9	K6206000052	RECEIVER , FOR SPRING	2	2		1-44	K5300000282	COVER, FOR PIN LOCK	1	1	
1-10	K1310000150	CAP, RUBBER 14	2	2		1-45	K0311045250	PIN, STRAIGHT NR M4.5-25.8	1	1	
1-11	LM56GA-0503B2	ARM, ADJUSTING BEDKNIFE	2	2		1-46	LM56G--0105A0	GEAR, 33-TOOTH REEL	1	0	
1-12	K6511000082	BOLT, ADJUSTING REEL CUTTER 140	2	2		1-47	LM56G--0109Z8	COLLAR, RETAINING GEAR	1	1	
1-13	LM56GA-2601A0	BEDKNIFE & BASE COMP, 3.0	1	0		1-48	K6032000062	PIN, FLAT HEAD HT M10-32	2	2	
1-14	LM66TA-0501A0	BEDKNIFE & BASE COMP, 5.0	0	1		1-49	K0400008002	RING, RETAINING E M8	2	2	
1-15	LM56GA-0501AR	BASE,BEDKNIFE	1	0		1-50	LM56GA-0510Z2	PLATE, RECTIFICATION 560	1	0	
1-16	LM66GA-0501AR	BASE, BEDKNIFE	0	1		1-51	LM66GA-0510Z2	PLATE, RECTIFICATION 650	0	1	
1-17	K2511000270	BEDKNIFE (BOTTOM BLADE), 1.5 LM56	1	0		1-52	LM56GA-0502ZR	COVER, REEL	1	0	
1-18	K2510000150	BEDKNIFE (BOTTOM BLADE), 3.0-62.5-648.4	0	1		1-53	LM66GA-0502ZR	COVER, REEL	0	1	
1-19	K0071000222	SCREW, HT + FLAT HEAD M6-12	13	15		1-54	K0000060102	BOLT, M6-10	3	3	
1-20	K6082000010	BOLT, STEPED FOR FIXING CUTTER	2	2		1-55	K0200060002	WASHER, SPRING M6	3	3	
1-21	K0160000112	NUT, LOCKING	2	2		1-56	LM56GB-0521ZR	CRAMPER, REEL COVER	1	0	
1-22	K6010000010	BUSH, STEPPED	2	2		1-57	LM66GB-0521ZR	CLAMPER, REEL COVER LM66	0	1	
1-23	K5073208202	WASHER, SPHC 3.2-8-20	2	2		1-58	LM56G--0606Z2	HOUSING, REEL (R)	1	1	
1-24	K0200080002	WASHER, SPRING M8	6	6		1-59	K0144060002	NUT, WITH F-RING, M6	2	2	
1-25	K0000080152	BOLT, M8-15	4	4		1-60	K5011606202	WASHER, SPCC 1.6-6-20	4	4	
1-26	K0100080002	NUT, M8	1	1		1-61	K1000000309	SPRING, COMPRESSION M1.6-13.7-20	2	2	
1-27						1-62	K6000000540	BUSH, SUS 23-25-15	2	2	
1-28	K690200005D	COVER, REEL SHAFT	1	1		1-63	K280661070R	REEL CUTTER (CYLINDER), 646-7 (LM66)	0	1	
1-29	K5000080002	WASHER, M8	4	4		1-64	K2511000280	BEDKNIFE (BOTTOM BLADE), 2.0	1	0	
1-30	K0000080502	BOLT, M8-50	1	1		1-65	K2511000300	BEDKNIFE (BOTTOM BLADE), 2.0 LM66	0	1	
1-31	K0882045000	O-RING, G45	1	1		1-66	K2511000310	BEDKNIFE (BOTTOM BLADE), 1.5 LM66	0	1	
1-32	LM56G--1208A0	NUT, REEL GEAR	1	1		1-67	K2511000050	BEDKNIFE (BOTTOM BLADE), 2.5-55G	1	0	
1-33						1-68	K2510000060	BEDKNIFE (BOTTOM BLADE), 3.0-62.5-559	1	0	
1-34	LM56G--1204Z0	GEAR, 20-TEETH	1	1		1-69	K2511000200	BEDKNIFE (BOTTOM BLADE), 2.5-65G	0	1	
1-35	K1000000740	SPRING, COMPRESSION M3.2-26.9-22	1	1		1-70	K2510000170	BEDKNIFE (BOTTOM BLADE), 5.0-62.5-648.7	0	1	

1 Blade reel cylinder/bottom blade

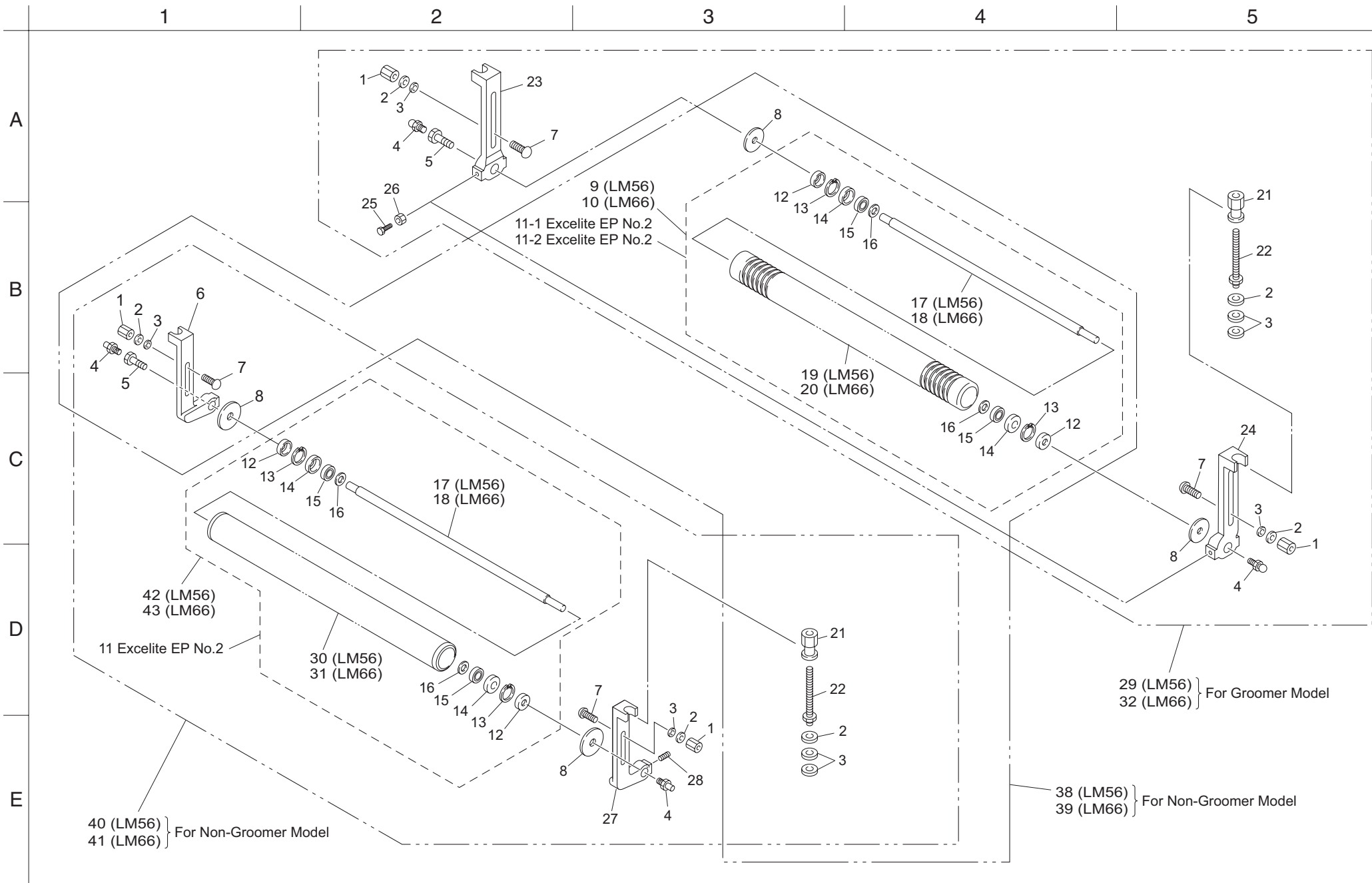


1 Blade reel cylinder/bottom blade

Cat No.	Code No.	Part Name	Qty Unit		Remark
			LM56	LM66	
1-71	K0000080252	BOLT, M8-25	1	1	
1-72	K0000100302	BOLT, M10-30	2	2	
1-73	K0200100002	WASHER, SPRING M10	2	2	
1-74	K5010412202	WASHER, SPCC 0.4-12-20	0-6	0-6	for adjustment

Cat No.	Code No.	Part Name	Qty Unit		Remark
			LM56	LM66	

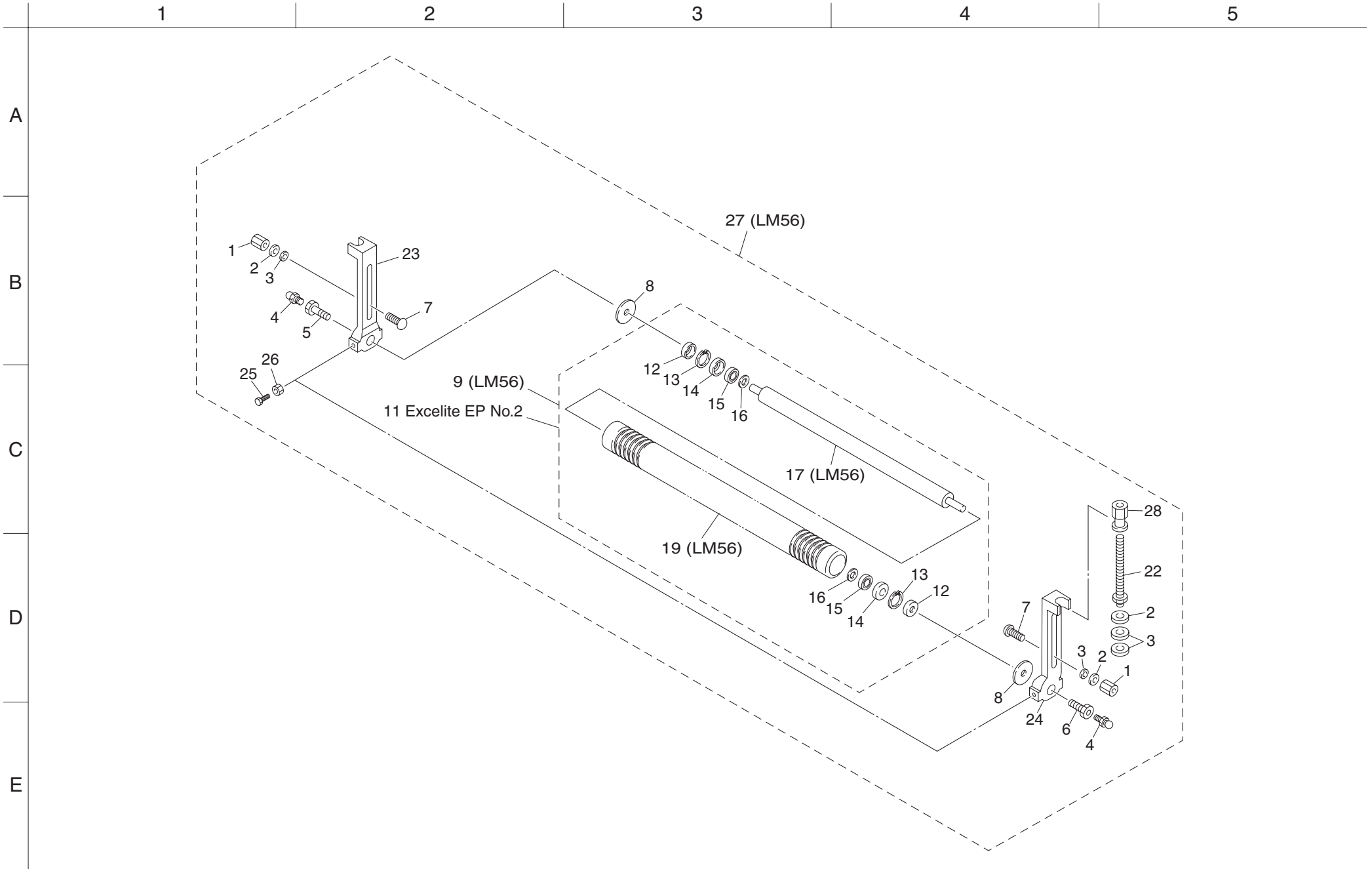
2 Front roller (Without independent arm)



2 Front roller (Without independent arm)

Cat No.	Code No.	Part Name	Qty Unit		Remark	Cat No.	Code No.	Part Name	Qty Unit		Remark
			LM56	LM66					LM56	LM66	
2-1	K0149083202	NUT, HIGH M8-13-20	2	2		2-35					
2-2	K0213080002	WASHER, DISK SPRING H M8-1	4	4		2-36					
2-3	K5000080002	WASHER, M8	6	6		2-37					
2-4	K1440000010	GREASE NIPPLE, A TYPE	2	2		2-38	LM56GA-2916Z0	FRONT ROLLER KIT, GROOVED LM56	1	0	
2-5	K6083000042	PIN, STEPPED M15-19	1	1		2-39	LM66GA-2913Z0	FRONT ROLLER KIT, GROOVED LM66	0	1	
2-6	K690400009D	BRACKET, ROLLER WITHOUT GROOMER (R)	1	1		2-40	LM56GA-2917Z0	FRONT ROLLER KIT, SMOOTH LM56	1	0	
2-7	K0025080452	BOLT, ROUND HEAD SQUARE ROOT M8-45	2	2		2-41	LM66GA-2914Z0	FRONT ROLLER KIT, SMOOTH LM66	0	1	
2-8	K5051015470	WASHER, C5191P 1-15-47	2	2		2-42	K8021000010	ROLLER ASSY, FRONT 577	1	0	
2-9	LM56G--0403Z0	ROLLER ASSY, GROOVED (LM56)	1	0		2-43	K8021000020	ROLLER ASSY, FRONT 666	0	1	
2-10	LM66G--0403Z0	ROLLER ASSY, GROOVED (LM66)	0	1							
2-11-1	K2931000400	GREASE, EXCELITE EP NO.2 400G	—	—							
2-11-2	K2931018000	GREASE, EXCELITE EP NO.2 (18KG)	—	—							
2-12	K0861000020	OIL SEAL, TA1542.38	2	2							
2-13	K0402042001	RING, RETAINING R M42	2	2							
2-14	K0861000030	OIL SEAL, 6202	2	2							
2-15	K0616062020	BEARING, BALL SEAL 2NSEC3 6202	2	2							
2-16	K5051015280	WASHER, C5191P 1-15-28	2	2							
2-17	K6131000122	SHAFT, TAPPED ROLLER 596	1	0							
2-18	K6131000132	SHAFT, TAPPED ROLLER 685	0	1							
2-19	LM56G--0402ZD	ROLLER, GROOVED 39 (LM56)	1	0							
2-20	LM66G--0402ZD	ROLLER, GROOVED 46 (LM66)	0	1							
2-21	K6084000162	ADJUSTER FOR ROLLER (IGCA)	2	2							
2-22	LM56GA-2901A0	SCREW, ADJUSTING CUTTING HEIGHT	2	2							
2-23	K6904000110	BRACKET, ROLLER (R)	1	1							
2-24	K6904000100	BRACKET, ROLLER (L)	1	1							
2-25	K0000060252	BOLT, M6-25	2	2							
2-26	K0100060002	NUT, M6	2	2							
2-27	K690400008D	BRACKET, ROLLER WITHOUT GROOMER (L)	1	1							
2-28	K0028060100	SETSCREW, SUS M6-10	2	2							
2-29	LM56GA-2908Z0	FRONT ROLLER KIT, GROOVED LM56F	1	0							
2-30	K740000012D	ROLLER, SMOOTH 60-577	1	0							
2-31	K740000006D	ROLLER, SMOOTH 60-666	0	1							
2-32	LM66GA-2908Z0	FRONT ROLLER KIT, GROOVED LM66F	0	1							
2-33											
2-34											

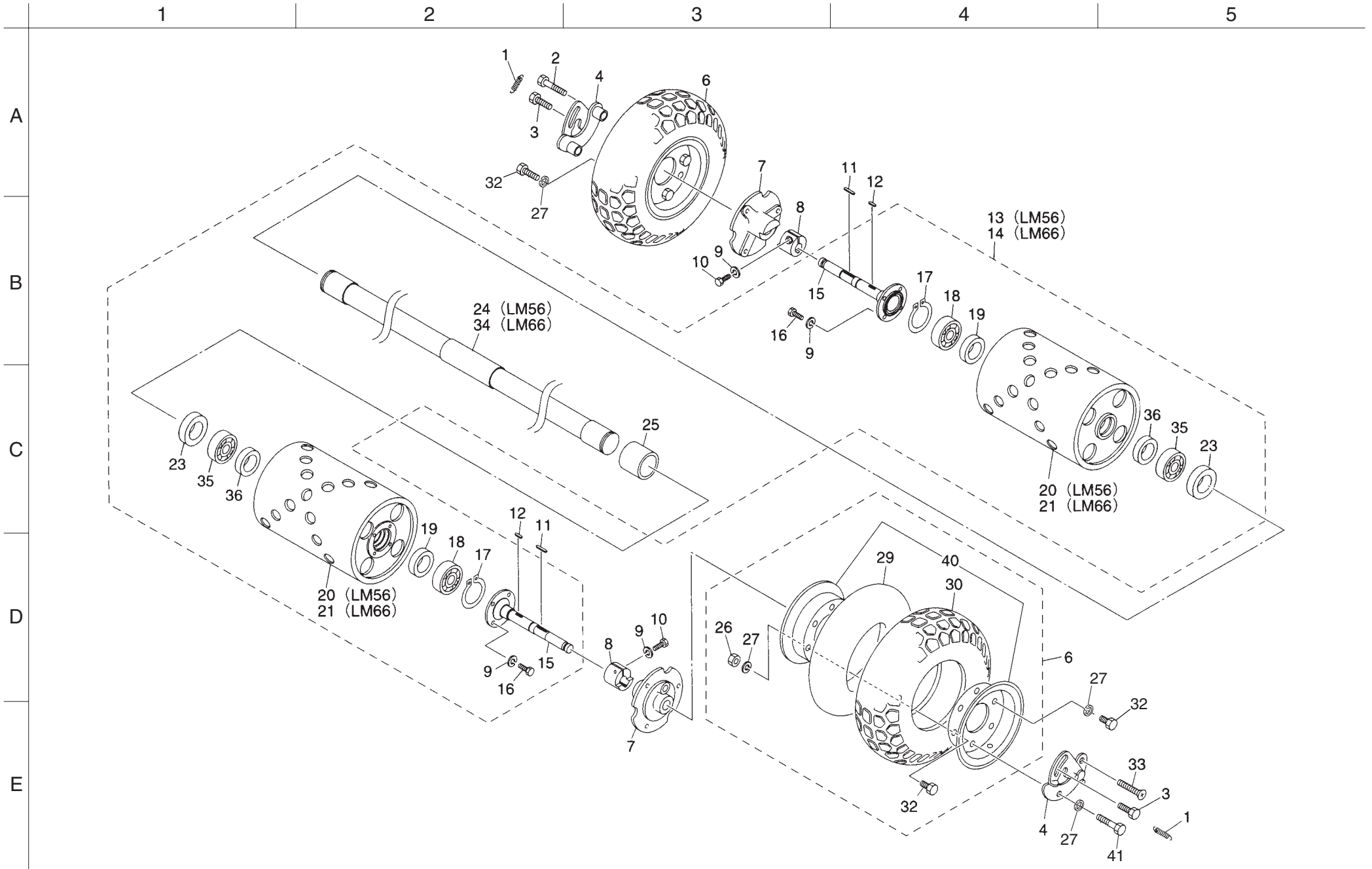
3 Front roller (For independent arm)



3 Front roller (For independent arm)

Cat No.	Code No.	Part Name	Qty Unit		Remark	Cat No.	Code No.	Part Name	Qty Unit		Remark
			LM56	LM66					LM56	LM66	
3-1	K0149083202	NUT, HIGH M8-13-20	2	0							
3-2	K0213080002	WASHER, DISK SPRING H M8-1	4	0							
3-3	K5000080002	WASHER, M8	4	0							
3-4	K1440000010	GREASE NIPPLE, A TYPE	2	0							
3-5	K6083000042	PIN, STEPPED M15-19	1	0							
3-6	LM56GA-0401Z2	ADJUSTER, ROLLER	2	0							
3-7	K0025080452	BOLT, ROUND HEAD SQUARE ROOT M8-45	2	0							
3-8	K5051015470	WASHER, C5191P 1-15-47	2	0							
3-9	LM56G--6812Z0	ROLLER ASSY, GROOVED (WEIGHTED)	1	0							
3-10											
3-11-1	K2931000400	GREASE, EXCELITE EP NO.2 400G	—	0							
3-11-2	K2931018000	GREASE, EXCELITE EP NO.2 (18KG)	—	0							
3-12	K0861000020	OIL SEAL, TA1542.38	2	0							
3-13	K0402042001	RING, RETAINING R M42	2	0							
3-14	K0861000030	OIL SEAL, 6202	2	0							
3-15	K0616062020	BEARING, BALL SEAL 2NSEC3 6202	2	0							
3-16	K5051015280	WASHER, C5191P 1-15-28	2	0							
3-17	LM56G--6807B2	SHAFT, FRONT ROLLER LM56 (WEIGHTED)	1	0							
3-18											
3-19	LM56G--0402ZD	ROLLER, GROOVED 39 (LM56)	1	0							
3-20											
3-21											
3-22	LM56GA-2901A0	SCREW, ADJUSTING CUTTING HEIGHT	2	0							
3-23	K6904000110	BRACKET, ROLLER (R)	1	0							
3-24	K6904000100	BRACKET, ROLLER (L)	1	0							
3-25	K0000060252	BOLT, M6-25	2	0							
3-26	K0100060002	NUT, M6	2	0							
3-27	LM56GA-2905Z0	FRONT ROLLER KIT, GROOVED (WEIGHTED) LM56	1	0							
3-28	K6084000162	ADJUSTER FOR ROLLER (IGCA)	2	0							

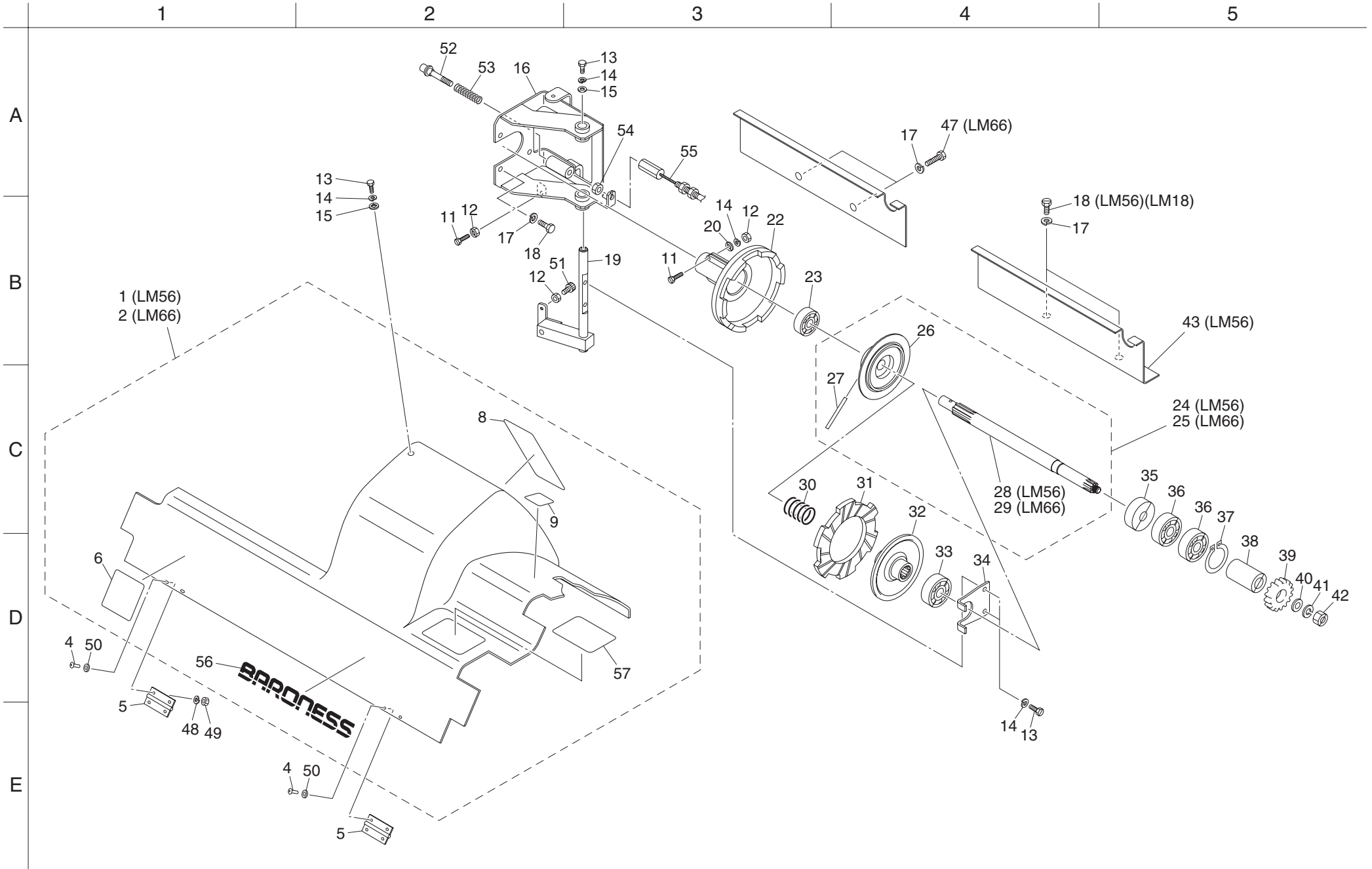
4 Drum wheel



4 Drum wheel

Cat No.	Code No.	Part Name	Qty Unit		Remark	Cat No.	Code No.	Part Name	Qty Unit		Remark
			LM56	LM66					LM56	LM66	
4-1	K1030000068	SPRING, WITH U HOOK M1.5-8.5-35.5	2	2		4-36	K0852540080	OIL SEAL, PJN25408	2	2	
4-2						4-37	K5010525322	WASHER, SPCC 0.5-25-32	—	—	for adjustment
4-3	K6082000023	BOLT, STEPED M8-10	2	2		4-38	K5010320282	WASHER, SPCC 0.3-20-28	—	—	for adjustment
4-4	LM55GB-0242C2	PLATE, CLAMPING WHEEL	2	2		4-39	K5011020282	WASHER, SPCC 1-20-28	—	—	for adjustment
4-5						4-40	K2080000040	WHEEL COMP, 3SP-6	2	2	
4-6	K2020000050	TIRE ASSY, 4.10/3.50-6	2	2		4-41	K0000080402	BOLT, M8-40	2	2	
4-7	LM55GD-0239AD	MOUNT, WHEEL	2	2							
4-8	LM56G--0207Z2	FITTING, DRIVING WHEEL	2	2							
4-9	K0200080002	WASHER, SPRING M8	10	10							
4-10	K0024080251	BOLT, WITH HEX. HOLE M8-25	2	2							
4-11	K0500505280	KEY, BOTH ROUND M5-528	2	2							
4-12	K0500505160	KEY, BOTH ROUND M5-516	2	2							
4-13	LM56G--0210C0	DRUM & SHAFT ASSY, LM56	1	0							
4-14	LM66G--0210C0	DRUM & SHAFT ASSY, LM66	0	1							
4-15	LM56G--0202Z2	SHAFT, DRUM (OUTER)	2	2							
4-16	K0000080252	BOLT, M8-25	8	8							
4-17	K0401020001	RING, RETAINING S M20	2	2							
4-18	K0613062040	BEARING, BALL SEAL 2RDC3 6204	4	4							
4-19	K0812040070	OIL SEAL, MHS20407	4	4							
4-20	LM56G--0211Z0	DRUM, LM56	2	0							
4-21	LM66G--0211Z0	DRUM, LM66	0	2							
4-22											
4-23	K0823047080	OIL SEAL, MHSA30478	2	2							
4-24	LM56G--0212Z2	SHAFT, INNER DRUM LM56	1	0							
4-25	K6212002592	COLLAR, STKM 25.1-30-21.5	1	1							
4-26	K0100080002	NUT, M8	6	6							
4-27	K0200080002	WASHER, SPRING M8	10	10							
4-28											
4-29	K2091000220	TUBE, 4.10/3.50-6	2	2							
4-30	K2021000030	TIRE, 4.10/3.50-6	2	2							
4-31											
4-32	K0000080152	BOLT, M8-15	8	8							
4-33	K0041080352	SCREW, + FLAT HEAD M8-35	2	2							
4-34	LM66G--0212Z2	SHAFT, INNER DRUM LM66	0	1							
4-35	K0608060050	BEARING, BALL SEAL 2RS 6005	2	2							

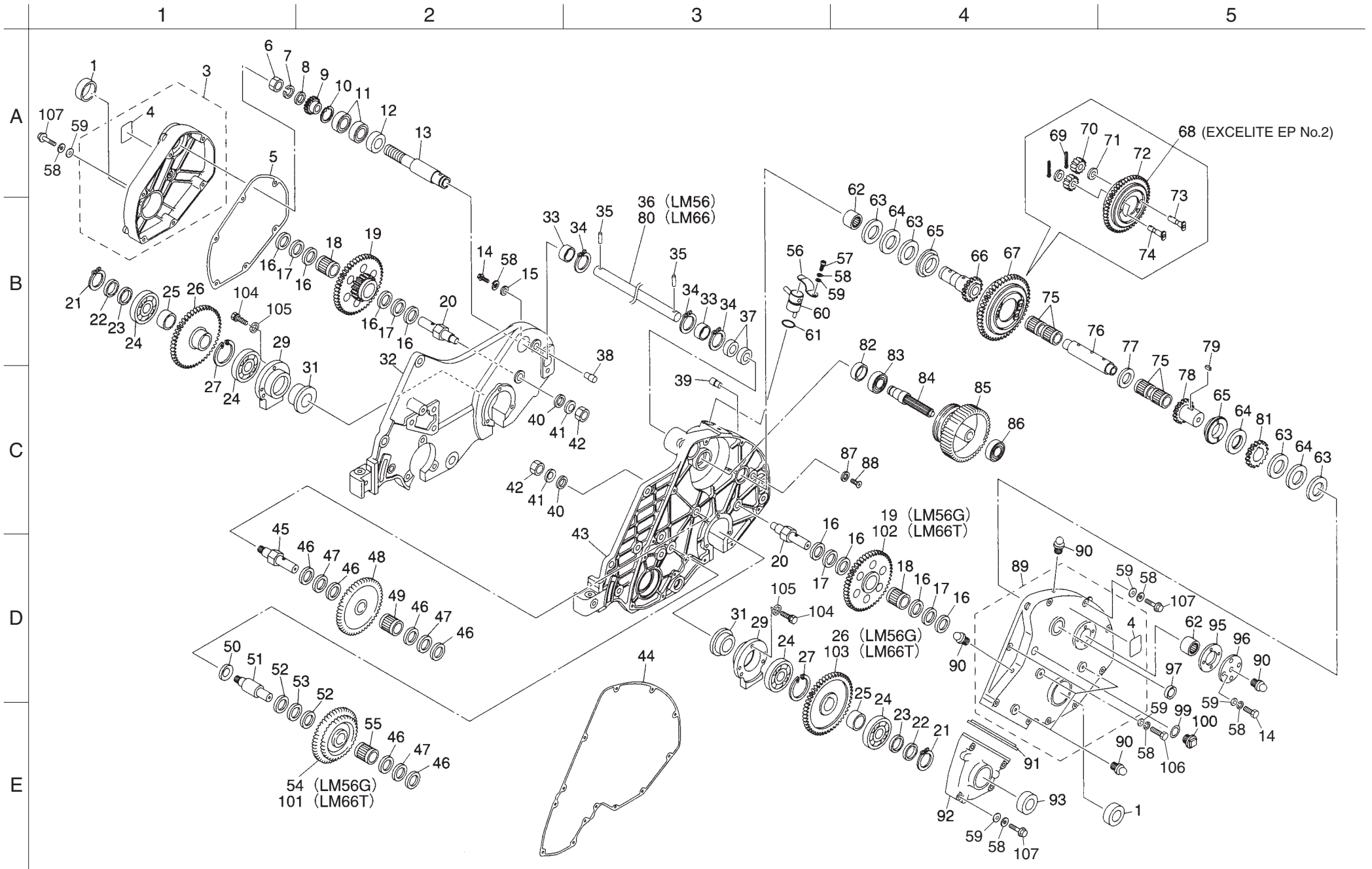
5 Clutch



5 Clutch

Cat No.	Code No.	Part Name	Qty Unit		Remark	Cat No.	Code No.	Part Name	Qty Unit		Remark
			LM56	LM66					LM56	LM66	
5-1	LM56G--2204Z0	COVER, CLUTCH WITH STICKER S	1	0		5-36	K0616062030	BEARING, BALL SEAL 2NSEC3 6203	2	2	
5-2	LM66G--2204Z0	COVER, CLUTCH WITH STICKER S	0	1		5-37	K0402040001	RING, RETAINING R M40	1	1	
5-3						5-38	K6212002600	COLLAR, STKM 17.1-22-37.3	1	1	
5-4	K4510615120	RIVET, BLIND AVEX 1661-0512	6	6		5-39	K6180000140	GEAR, SPLINED 16 TEETH	1	1	
5-5	K4520000120	HINGE, WITH HOLE 4.2-4035	2	2		5-40	K5000100002	WASHER, M10	1	1	
5-6	K4205001600	DECAL, CAUTION TO MUTILATION	1	1		5-41	K0213100002	WASHER, DISK SPRING.H M10-1	1	1	
5-7						5-42	K0160000282	NUT, P1 OH1 M10-3	1	1	
5-8	K4205001590	DECAL, CAUTION SAFETY INSTRUCTION	1	1		5-43	LM56G--0307AR	RECEIVER, CLUTCH COVER	1	0	
5-9	K4203001110	STICKER, CLUTCH	1	1		5-44	LM66G--0311AR	RECEIVER, CLUTCH COVER	0	1	
5-10						5-45					
5-11	K0000060302	BOLT, M6-30	2	2		5-46	K0000080202	BOLT, M8-20	2	2	
5-12	K0100060002	NUT, M6	3	3		5-47	K0042040152	SCREW, + ROUND HEAD M4-15	2	2	
5-13	K0000060152	BOLT, M6-15	4	4		5-48	K0200040002	WASHER, SPRING M4	2	2	
5-14	K0200060002	WASHER, SPRING M6	5	5		5-49	K0144040002	NUT, WITH F-RING, M4	2	2	
5-15	K5012306202	WASHER, SPCC 2.3-6-20	2	2		5-50	K5000040002	WASHER, M4	2	2	
5-16	LM56G--2201ZD	BOX, CLUTCH S	1	1		5-51	K0024060201	BOLT, WITH HEX. HOLE M6-20	1	1	
5-17	K0200080002	WASHER, SPRING M8	6	6		5-52	LM56GB-2502Z2	STOPPER	1	1	
5-18	K0000080152	BOLT, M8-15	6	6		5-53	K1000000238	SPRING, COMPRESSION M1.4-13.3-42	1	1	
5-19	LM56GB-2503Z2	LEVER, CLUTCH E	1	1		5-54	K0100080002	NUT, M8	1	1	
5-20	K5000060002	WASHER, M6	1	1		5-55	K1160131400	WIRE, 1314	1	1	
5-21						5-56	K4201000120	STICKER, BARONESS 121	1	1	
5-22	K6911000050	CLUTCH, ENGINE	1	1		5-57	K4203001320	STICKER, HIGH / LOW SELECTOR	1	1	
5-23	K0616062020	BEARING, BALL SEAL 2NSEC3 6202	1	1							
5-24	LM56G--0305Z0	SHAFT ASSY, CLUTCH 56	1	0							
5-25	LM66G--0305Z0	SHAFT ASSY, CLUTCH 66	0	1							
5-26	XPK6911000043	HOLDER, CLUTCH FADING 15 TAPERED	1	1							
5-27	K0310050402	PIN, TAPERED M5-40	1	1							
5-28	XLPLM56G--0308Z2	SHAFT, CLUTCH TAPERED	1	0							
5-29	XLPLM66G--0308Z2	SHAFT, CLUTCH TAPERED	0	1							
5-30	K1000000160	SPRING, COMPRESSION M3.5-34-15	1	1							
5-31	K1810000030	LINING, CLUTCH FADING	1	1							
5-32	K6911000092	PLATE, CLUTCH	1	1							
5-33	K0659000020	BEARING, RELEASE RCT 2850	1	1							
5-34	LM56G--2203Z2	PLATE, RETAINING S	1	1							
5-35	K0811930070	OIL SEAL, MHS19307	1	1							

6 Frame transmission

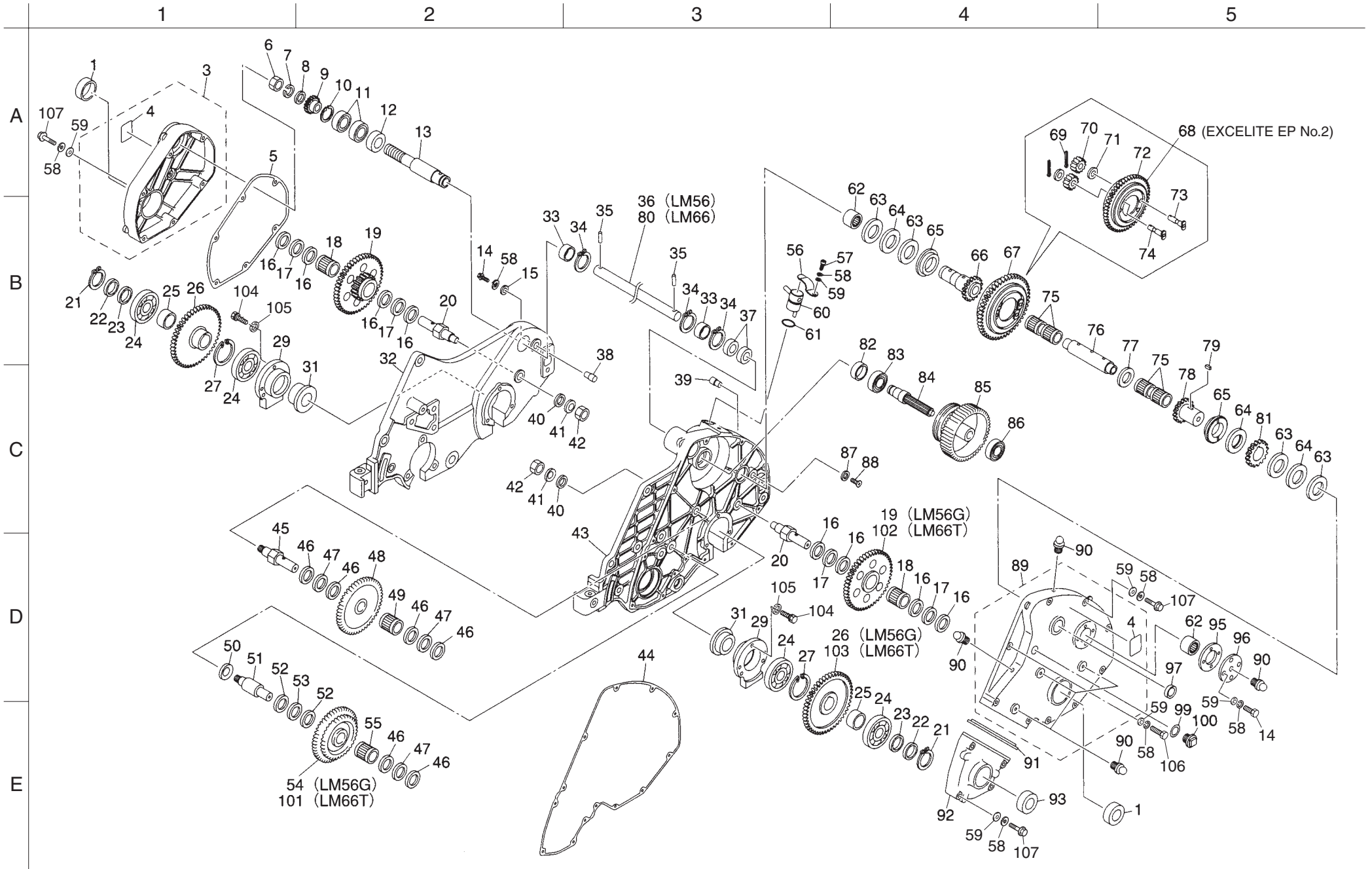


6 Frame transmission

Cat No.	Code No.	Part Name	Qty Unit		Remark
			LM56	LM66	
6-1	K0822047060	OIL SEAL, MHSA20476	2	2	
6-2					
6-3	LM56G--0613Z0	COVER, (R) WITH STICKER	1	1	
6-4	K4209000370	DECAL, GREASING EACH 10-HOURS	2	2	
6-5	LM56G--0609Z0	PACKING, (R)	1	1	
6-6	K0183140002	NUT, LEFT-HANDED P1.25 M14	1	1	
6-7	K0210140002	SPRING, CONICAL DISC L M14	1	1	
6-8	K5000140002	WASHER, M14	1	1	
6-9	K6188000010	GEAR 18 TEETH WITH M2 SCREW	1	1	
6-10	K0402035001	RING, RETAINING R M35	1	1	
6-11	K0616062020	BEARING, BALL SEAL 2NSEC3 6202	2	2	
6-12	K0802030050	OIL SEAL, MH20305	1	1	
6-13	K6122000188	SHAFT, THREADED TRANSMISSION (R)	1	1	
6-14	K0000060152	BOLT, M6-15	5	5	
6-15	K5012306202	WASHER, SPCC 2.3-6-20	1	1	
6-16	K5051013220	WASHER, C5191P 1-13-22	8	8	
6-17	K5020813220	WASHER, NBS55 0.8-13-22	4	4	
6-18	K0711317200	BEARING, NEEDLE CAGE KTW 131720	2	2	
6-19	LM55GB-0219C0	GEAR, DOUBLE 46-/16-TEETH	2	0	
6-20	LM56G--0204Z0	SHAFT, #4 DRUM SIDE	2	2	
6-21	K0401020001	RING, RETAINING S M20	2	2	
6-22	K5010320282	WASHER, SPCC 0.3-20-28	2	2	
6-23	K5011020282	WASHER, SPCC 1-20-28	2	2	
6-24	K0601062040	BEARING, BALL C3 6204	4	4	
6-25	K6212002610	COLLAR, STKM 20.2-25.4-11.2	2	2	
6-26	LM55GB-0221C0	GEAR, AXLE 46-TEETH	2	0	
6-27	K0402047001	RING, RETAINING R M47	2	2	
6-28					
6-29	LM56G--0615Z0	HOUSING, DRUM	2	2	
6-30					
6-31	K0830000020	OIL SEAL, 254210	2	2	
6-32	LM56G--0602BR	FRAME, (R)	1	1	
6-33	K6211000312	COLLAR, SGP 18.2-21.7-15	2	2	
6-34	K0403018001	RING, RETAINING ROUND S M15	3	3	
6-35	K0311040170	PIN, STRAIGHT NR M4-17.8	2	2	

Cat No.	Code No.	Part Name	Qty Unit		Remark
			LM56	LM66	
6-36	LM56G--0205Z8	SHAFT, TRANSMISSION	1	0	
6-37	K0870182640	OIL SEAL, OS 18264	2	2	
6-38	K6155000042	PIN MOUNTING HANDLE (R)	1	1	
6-39	K6155000152	PIN MOUNTING HANDLE (L)	1	1	
6-40	K5000100002	WASHER, M10	3	3	
6-41	K0211100001	SPRING, CONICAL DISC H M10	3	3	
6-42	K0160000282	NUT, P1 OH1 M10-3	3	3	
6-43	LM56G--0601CR	FRAME, (L)	1	1	
6-44	LM56G--0608Z0	PACKING, (L)	1	1	
6-45	LM55GB-0201A0	SHAFT, LEFT FRAME #2 SHAFT	1	1	
6-46	K5051013280	WASHER, C5191P 1-13-28	6	6	
6-47	K5020813280	WASHER, NBS55 0.8-13-28	3	3	
6-48	LM56G--0103A0	GEAR, 46-TEETH	1	1	
6-49	K0701317120	BEARING, NEEDLE CAGE KT 131712	1	1	
6-50	K0211120002	SPRING, CONICAL DISC H M12	1	1	
6-51	LM55GC-0102Z0	COUNTERSHAFT, REEL	1	1	
6-52	K5051015280	WASHER, C5191P 1-15-28	2	2	
6-53	K5020815280	WASHER, NBS55 0.8-15-28	1	1	
6-54	LM56G--0104B0	GEAR, DOUBLE 36-/45-TEETH	1	0	
6-55	K0701519180	BEARING, NEEDLE CAGE KT 151918	1	1	
6-56	K1090000058	SPRING, CLUTCH RETAINER	1	1	
6-57	K0000060102	BOLT, M6-10	1	1	
6-58	K0200060002	WASHER, SPRING M6	25	25	
6-59	K5000060002	WASHER, M6	24	24	
6-60	LM56G--0206Z8	LEVER, CHANGEOVER CLUTCH	1	1	
6-61	K0880021000	O-RING, P21	1	1	
6-62	K0722210000	BEARING, NEEDLE TAZ 2210	2	2	
6-63	K5051022300	WASHER, C5191P 1-22-30	4	4	
6-64	K5020822300	WASHER, NBS55 0.8-22-30	3	3	
6-65	K6202000140	BEARING, DIFF GEAR	2	2	
6-66	LM55GB-0210A3	GEAR, DIFF 16-TEETH (R)	1	1	
6-67	K8000000030	GEAR ASSY, DEFF 50 TEETH	1	1	
6-68-1	K2931000400	GREASE, EXCELITE EP NO.2 400G	—	—	use 50g
6-68-2	K2931018000	GREASE, EXCELITE EP NO.2 (18KG)	—	—	use 50g
6-69	K0300025202	PIN, COTTER M2.5-20	4	4	

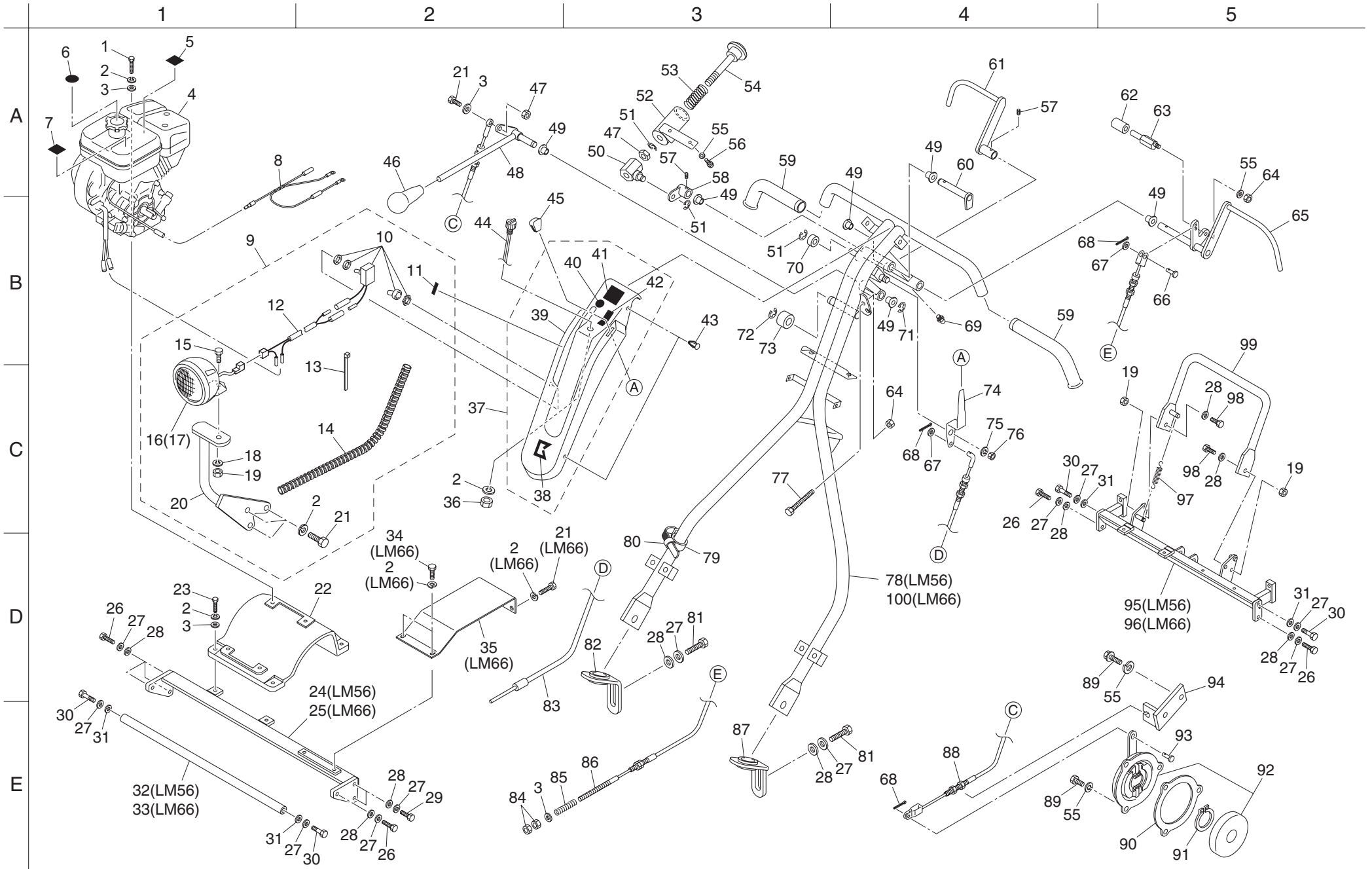
6 Frame transmission



6 Frame transmission

Cat No.	Code No.	Part Name	Qty Unit		Remark	Cat No.	Code No.	Part Name	Qty Unit		Remark
			LM56	LM66					LM56	LM66	
6-70	K6191000040	GEAR, DIFF PINION 12	4	4		6-105	K0200080002	WASHER, SPRING M8	6	6	
6-71	K6211000180	COLLAR, SGP M7-10.5-7	4	4		6-106	K0000060252	BOLT, M6-25	1	1	
6-72	K7001000020	GEAR, DIFF 50 TEETH	1	1		6-107	K0000060452	BOLT, M6-45	18	18	
6-73	K6033000060	PIN, HT FOR DIFF GEAR M7.5	2	2							
6-74	K6033000070	PIN, HT FOR DIFF GEAR M15	2	2							
6-75	K0701013100	BEARING, NEEDLE CAGE KT 101310	4	4							
6-76	K6150000150	PIN, FOR DIFF GEAR M10-55	1	1							
6-77	K5051010220	WASHER, C5191P 1-10-22	1	1							
6-78	LM55GB-0209C0	GEAR, DIFF 16-TEETH (L)	1	1							
6-79	K0520504060	KEY, ROUND/SQUARE, M5-46.3	1	1							
6-80	LM66G--0205Z8	SHAFT, TRANSMISSION	0	1							
6-81	LM55GB-0214A0	GEAR, 18-TEETH (L)	1	1							
6-82	K0811528070	OIL SEAL, MHS15287	1	1							
6-83	K0612060020	BEARING, BALL SEAL 2RD 6002	1	1							
6-84	LM56G--0108Z0	SHAFT, #2	1	1							
6-85	LM56G--0102A0	GEAR, 51-TEETH	1	1							
6-86	K0612060010	BEARING, BALL SEAL 2RD 6001	1	1							
6-87	LM55GB-0614Z3	WASHER, HANDLE PIN	1	1							
6-88	K0041060122	SCREW, + FLAT HEAD M6-12	1	1							
6-89	LM56G--0612Z0	COVER, LARGE (L) WITH STICKER	1	1							
6-90	K1440000010	GREASE NIPPLE, A TYPE	8	8							
6-91	LM56G--0611Z0	PACKING	1	1							
6-92	LM56G--0604ZR	COVER, SMALL (L)	1	1							
6-93	K0822840080	OIL SEAL, MHSA28408	1	1							
6-94											
6-95	LM55GB-0208Z0	PACKING, #3 SHAFT	1	1							
6-96	LM55GB-0217Z0	RETAINER, BEARING	1	1							
6-97	K0890000030	CAP, BLANK 25	1	1							
6-98											
6-99	K4010217250	PACKING, OIL-SHEET 2-17.525	1	1							
6-100	K1400000010-Y	GAUGE, OIL 18	1	1							
6-101	LM56G--1701Z0	GEAR, 36-TEETH	0	1							
6-102	LM55TB-0219C0	GEAR, DOUBLE 46-/15-TEETH	0	2							
6-103	LM55TB-0221C0	GEAR, AXLE 47-TEETH	0	2							
6-104	K0000080302	BOLT, M8-30	6	6							

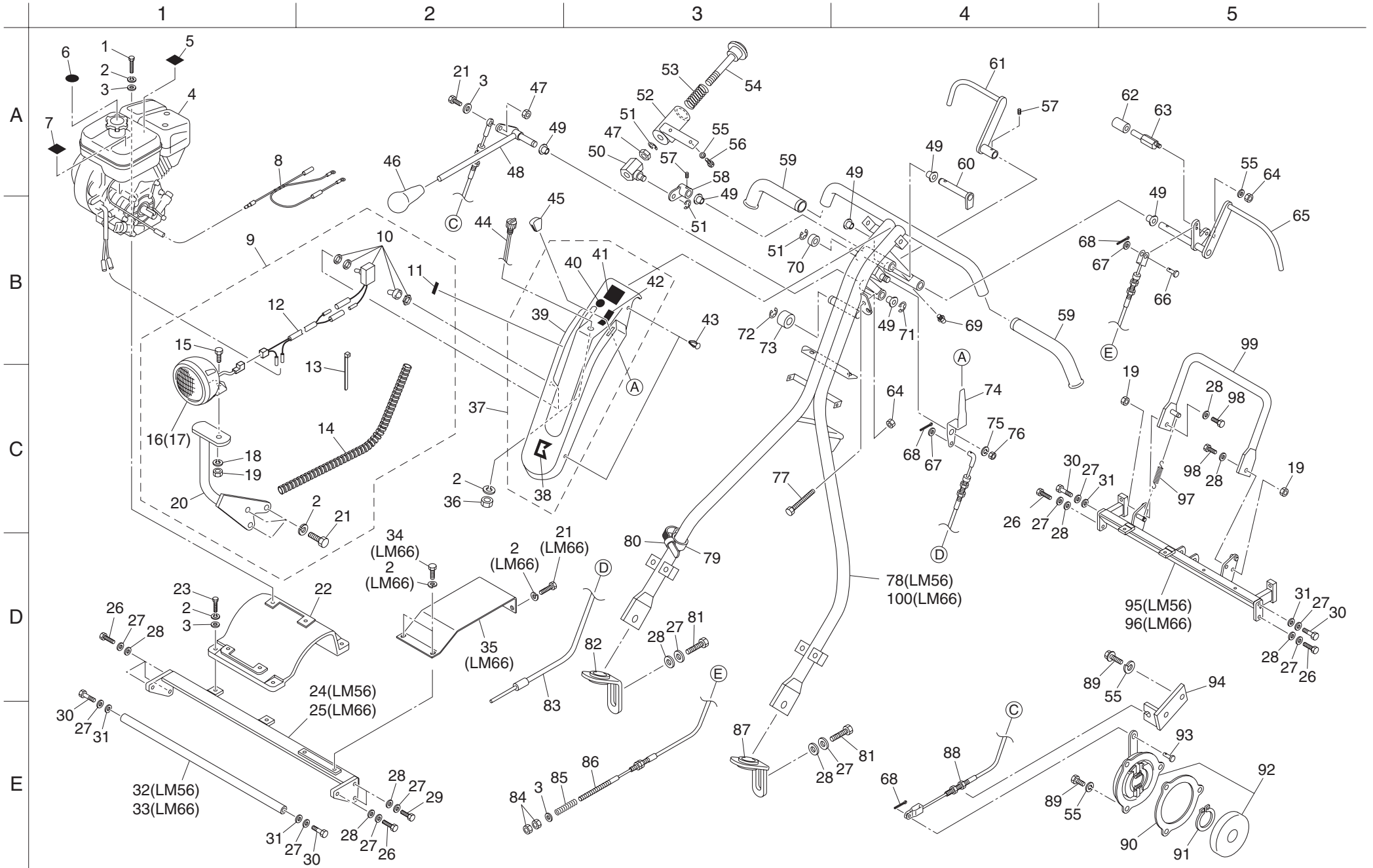
7 Handle/engine/brake



7 Handle/engine/brake

Cat No.	Code No.	Part Name	Qty Unit		Remark	Cat No.	Code No.	Part Name	Qty Unit		Remark
			LM56	LM66					LM56	LM66	
7-1	K0000080402	BOLT, M8-40	4	4		7-35	LM66G--0709ZR	PLATE, REINFORCEMENT	0	1	
7-2	K0200080002	WASHER, SPRING M8	10	14		7-36	K0100080002	NUT, M8	1	1	
7-3	K5000080002	WASHER, M8	10	10		7-37	LM56GB-2620Z0	COVER, HANDLE WITH DECAL U	1	1	
7-4-1	K2620000550	ENGINE, SUBARU EX130D70252	1	1	LM66TB:-31149	7-38	K4201000590	STICKER, K	1	1	
7-4-2	K2620000680	ENGINE, SUBARU EX130D	1	1	LM66TB:31150-	7-39	LM56GB-2612Z0	COVER, HANDLE U	1	1	
7-5	K4209000880	DECAL, NOISE LEVEL LWA 98	1	1		7-40	K4209001200	DECAL, BRAKE	1	1	
7-6	K4205001300	DECAL, WARNING ENGINE OIL	1	1		7-41	K4205001610	DECAL, OPERATOR WARNING	1	1	
7-7	K4205001330	DECAL, CAUTION TO NOISE	1	1		7-42	K4203000700	DECAL, ACCELERATOR	1	1	
7-8	K3620000550	LINE, ENGINE SWITCH 8A	1	1		7-43	K4021000010	ANCHOR CLIP, 7.5	4	4	
7-9	LM56GB-2901Z0	LAMP KIT, FOR EX13D	1	1		7-44	K3662000050	SWITCH, TOGGLE FOR ENGINE	1	1	
7-10	K3662000100	SWITCH, TOGGLE FOR LAMP WD101181	1	1		7-45	K1320000150	KNOB, WITH PLUG	1	1	
7-11	K4203001610	DECAL, LIGHT SWITCH	1	1		7-46	K1300000050	GRIP, RUBBER RED 9-35.5	1	1	
7-12	K3620000860	LINE, 1050	1	1		7-47	K0102080002	NUT, M8-3	2	2	
7-13	K4241000060	BAND, PLASTIC CV-150B	1	1		7-48	LM56GB-2602Z2	LEVER, BRAKE	1	1	
7-14	K3195008300	TUBE, CORRUGATED 15-830	1	1		7-49	K6010000170	BUSH, FLANGED 12-14-10	6	6	
7-15	K0000100202	BOLT, M10-20	1	1		7-50	LM56GB-2608Z2	NUT, HIGH WITH SHAFT	1	1	
7-16	K3640000060	LAMP, V31623A	1	1		7-51	K0400006002	RING, RETAINING E M6	3	3	
7-17	K3642000040	BULB, ELECTRIC H3-12V35W	1	1		7-52	LM56GB-2606Z2	MOUNT, SWITCH	1	1	
7-18	K0200100002	WASHER, SPRING M10	1	1		7-53	K1000000938	SPRING, COMPRESSION M1-12-40	1	1	
7-19	K0100100002	NUT, M10	2	2		7-54	LM56GB-2607Z2	SWITCH, LOCKOUT	1	1	
7-20	K735500067D	BRACKET, LAMP	1	1		7-55	K0200060002	WASHER, SPRING M6	8	8	
7-21	K0000080202	BOLT, M8-20	4	6		7-56	K0000060102	BOLT, M6-10	2	2	
7-22	K6810000060	BASE, ENGINE MOUNTING M	1	1		7-57	K0320050221	PIN, SPRING M5-20	2	2	
7-23	K0000080302	BOLT, M8-30	4	4		7-58	LM56GB-2605Z2	CONNECTOR	1	1	
7-24	LM56GB-0706ZR	STAY, FRONT FRAME	1	0		7-59	K1300000250	GRIP, RUBBER BLACK 22-256	2	2	
7-25	LM66GB-0706ZR	STAY, FRONT FRAME	0	1		7-60	LM56GB-2604Z2	STOPPER	1	1	
7-26	K0000100352	BOLT, M10-35	6	6		7-61	LM56GB-2611ZD	LEVER, CLUTCH (R)	1	1	
7-27	K0213100002	WASHER, DISK SPRING.H M10-1	14	14		7-62	K3180000400	RUBBER, STOPPER	1	1	
7-28	K5000100002	WASHER, M10	12	12		7-63	LM56GB-2609Z2	SHAFT, STOPPER	1	1	
7-29	K0000100302	BOLT, M10-30	2	2		7-64	K0100060002	NUT, M6	2	2	
7-30	K0071000592	BOLT, POSITIONING M10-40	4	4		7-65	LM56GB-2610ZD	LEVER, CLUTCH (L)	1	1	
7-31	K5001100002	WASHER, M10-24	4	4		7-66	K6030050152	PIN, FLAT HEAD M5-15	1	1	
7-32	LM56G--0705Z2	PIPE, FRONT STAY	1	1		7-67	K5000050002	WASHER, M5	2	2	
7-33	LM66G--0705Z2	PIPE, FRONT STAY	0	0		7-68	K0300020122	PIN, COTTER M2-12	3	3	
7-34	K0000080152	BOLT, M8-15	0	2		7-69	K1440000070	GREASE NIPPLE	3	3	

7 Handle/engine/brake



7 Handle/engine/brake

Cat No.	Code No.	Part Name	Qty Unit		Remark	Cat No.	Code No.	Part Name	Qty Unit		Remark
			LM56	LM66					LM56	LM66	
7-70	K4031000290	RUBBER, 7.5-15-5.5	1	1							
7-71	K0400009002	RING, RETAINING E M9	1	1							
7-72	K0400008002	RING, RETAINING E M8	1	1							
7-73	K4031000100	STOPPER, RUBBER	1	1							
7-74	LM56GB-2603Z2	LEVER, THROTTLE	1	1							
7-75	K0210100002	SPRING, CONICAL DISC L M10	2	2							
7-76	K0102100002	NUT, M10-3	2	2							
7-77	K0000060502	BOLT, M6-50	1	1							
7-78	LM56GB-2601AD	HANDLE, U LM56	1	0							
7-79	K4241000010	BAND, NYLON 140	3	3							
7-80	K4241000070	TUBE, URETHANE 7	3	3							
7-81	K0010100252	BOLT, HT M10-25	2	2							
7-82	LM55GB-0716E0	ADJUSTER, HANDLE (R)	1	1							
7-83	K1110100010	WIRE, THROTTLE 1000	1	1							
7-84	K0100080002	NUT, M8	2	2							
7-85	K100000082D	SPRING, COMPRESSION M2.6-17.2-70	1	1							
7-86	K1130116000	WIRE, CLUTCH 1160	1	1							
7-87	LM55GB-0715E0	ADJUSTER, HANDLE (L)	1	1							
7-88	K1120116010	WIRE, BRAKE 1160	1	1							
7-89	K0000060152	BOLT, M6-15	5	5							
7-90	K4019000020	PACKING, FOR BRAKE	1	1							
7-91	K0401014001	RING, RETAINING S M14	1	1							
7-92	K1720000150	BRAKE ASSY, 62	1	1							
7-93	K6030050122	PIN, FLAT HEAD M5-12	2	2							
7-94	LM56G--1102Z2	BRACKET, WIRE	1	1							
7-95	LM56GB-0707ZR	STAY, REAR FRAME	1	0							
7-96	LM66GB-0707ZR	STAY, REAR FRAME	0	1							
7-97	K1020000198	SPRING, WITH ROUND HOOK M2.6-15.5-84	1	1							
7-98	K0000100252	BOLT, M10-25	2	2							
7-99	LM56G--0708ZD	STAND	1	1							
7-100	LM66GB-2601AD	HANDLE, U LM66	0	1							

8 Groomer

1

2

3

4

5

※The number of dethatching blades, collars, adjusting washers, and washers differs according to the models.

	LM56-78	LM66-92	LM56-39-1 (t=1)	LM66-46-1 (t=1)
8-23 (0.5mm)	78	92	0	0
8-22	81	95	81	95
8-24	3~5	4~6	0	0
8-70	0	0	0	0
8-73 (1.0mm)	0	0	39	46

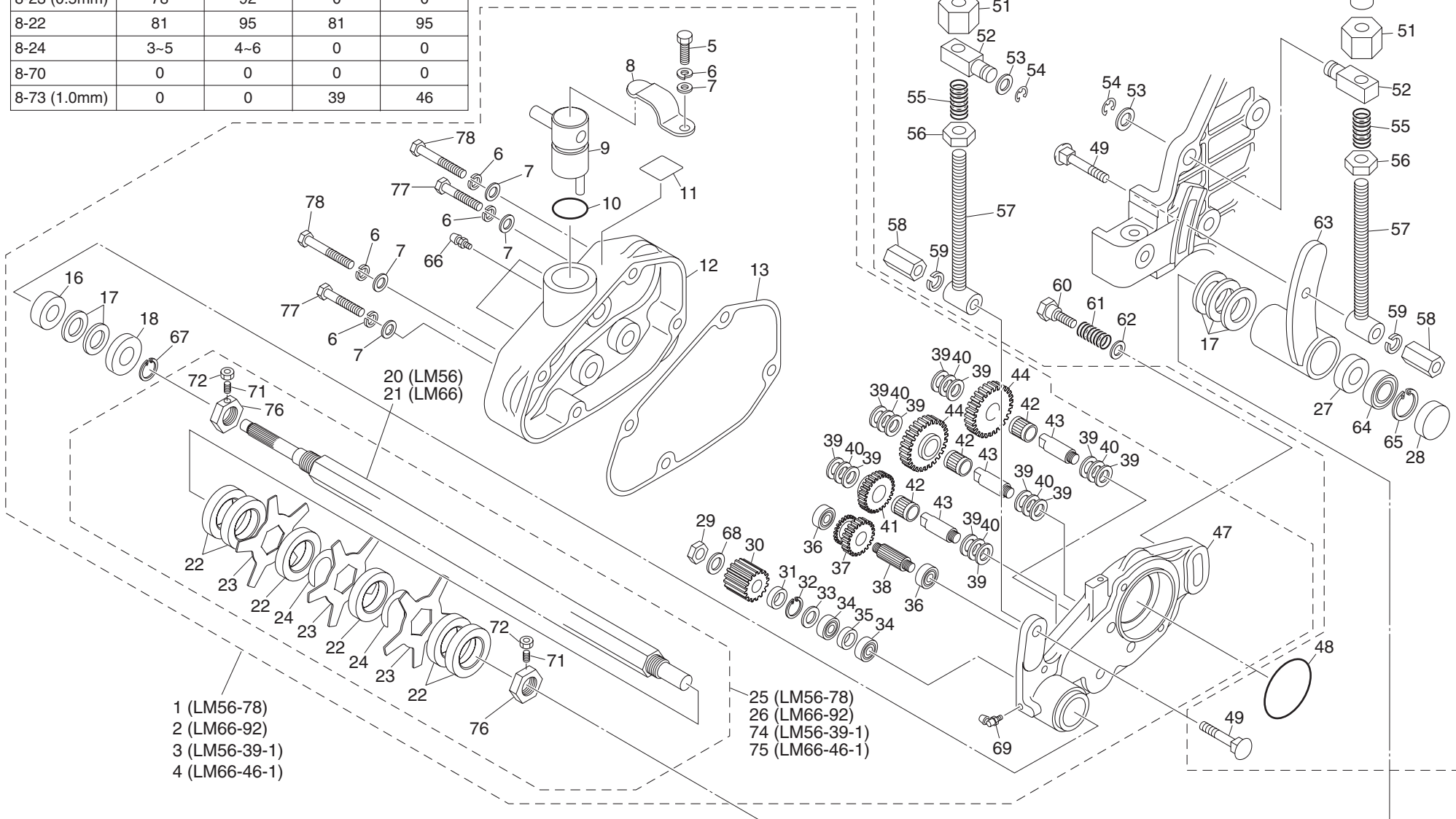
A

B

C

D

E



- 1 (LM56-78)
- 2 (LM66-92)
- 3 (LM56-39-1)
- 4 (LM66-46-1)

- 25 (LM56-78)
- 26 (LM66-92)
- 74 (LM56-39-1)
- 75 (LM66-46-1)

8 Groomer

Cat No.	Code No.	Part Name	Qty Unit		Remark
			LM56	LM66	
8-1	LM56G--8001Z0	GROOMER ASSY, LM56	1	0	
8-2	LM66G--8001Z0	GROOMER ASSY, LM66	0	1	
8-3	LM56G--8801Z0	DE-THATCHER ASSY, LM56	1	0	
8-4	LM66T--8001Z0	DE-THATCHER ASSY, LM66	0	1	
8-5	K0000060102	BOLT, M6-10	1	1	
8-6	K0200060002	WASHER, SPRING M6	5	5	
8-7	K5000060002	WASHER, M6	5	5	
8-8	K1090000058	SPRING, CLUTCH RETAINER	1	1	
8-9	K7321000148	LEVER, VERTICAL CLUTCH	1	1	
8-10	K0880018000	O-RING, P18	1	1	
8-11	K4203001120	STICKER, GROOMER INDICATION	1	1	
8-12	K690200004R	COVER, GEAR CASE	1	1	
8-13	LM56G--8002A0	PACKING, GEAR CASE	1	1	
8-14					
8-15					
8-16	K0821522070	OIL SEAL, MHSA15227	1	1	
8-17	K5051015280	WASHER, C5191P 1-15-28	5	5	
8-18	K5300000293	COVER, DUST PROOF	1	1	
8-19	LM56GA-2907A0	FRONT ATTACHMENT PARTS KIT	1	1	
8-20	K6084000118	SHAFT, VERTICAL BLADES	1	0	
8-21	LM66G--1211Z8	SHAFT, VERTICAL BLADES LM66	0	1	
8-22	K6214000030	COLLAR, AC M19.7-32-6.1	81	95	
8-23	K2570000019	BLADE, VERTICAL 63	78	92	
8-24	K5090000673	WASHER, SPCC 0.5	5	5	
8-25	LM56G--1219Z0	GROOMER COMP, 78 (LM56)	1	1	
8-26	LM66G--1219Z0	GROOMER COMP, 92 LM66	0	0	
8-27	K0821525070	OIL SEAL, MHSA15257	1	1	
8-28	K0890000060	CAP, BLANK 30	1	1	
8-29	K0160000322	NUT, LEFT-HANDED P1 M10	1	1	
8-30	K6180000160	GEAR, SPLINED 20 TEETH	1	1	
8-31	K6212001910	COLLAR, STKM M12.1-17-6	1	1	
8-32	K0402024001	RING, RETAINING R M24	1	1	
8-33	K0220160110	WASHER, WAVE 16011	1	1	
8-34	K0611069010	BEARING, BALL SEAL RDC3 6901	2	2	
8-35	K6212001590	COLLAR, STKM M12.1-17-14	1	1	

Cat No.	Code No.	Part Name	Qty Unit		Remark
			LM56	LM66	
8-36	K0608060000	BEARING, BALL SEAL 2RS 6000	2	2	
8-37	K6180000150	GEAR, SPLINED 23 TEETH	1	1	
8-38	K6100000100	SHAFT, CLUTCH	1	1	
8-39	K5051010160	WASHER, C5191P 1-10-16	12	12	
8-40	K5020810160	WASHER, NBS55 0.8-10-16	6	6	
8-41	K6186000040	GEAR, 18 TEETH B	1	1	
8-42	K0701013100	BEARING, NEEDLE CAGE KT 101310	3	3	
8-43	K6120000310	COUNTERSHAFT, THREADED	3	3	
8-44	K6186000050	GEAR, 24 TEETH	2	2	
8-45					
8-46					
8-47	K680100001R	GEAR CASE, VERTICAL DT	1	1	
8-48	K0882045000	O-RING, G45	1	1	
8-49	K0025080552	BOLT, ROUND HEAD SQUARE ROOT M8-55	2	2	
8-50	LM56G--1216Z2	NUT, SPECIAL B M8	2	2	
8-51	LM56G--1215Z2	NUT, SPECIAL A M8	2	2	
8-52	LM56G--1217Z2	BUSH, ADJUSTING	2	2	
8-53	K5011013222	WASHER, SPCC 1-13-22	2	2	
8-54	K0400010002	RING, RETAINING E M10	2	2	
8-55	K1000000238	SPRING, COMPRESSION M1.4-13.3-42	2	2	
8-56	K0100080002	NUT, M8	2	2	
8-57	LM56G--1218Z2	SCREW, ADJUSTING 108	1	1	
8-58	K0149083202	NUT, HIGH M8-13-20	2	2	
8-59	K0200080002	WASHER, SPRING M8	2	2	
8-60	K6083000143	PIN, STEPPED FOR FIXING (R) CASE	1	1	
8-61	K1000000309	SPRING, COMPRESSION M1.6-13.7-20	1	1	
8-62	K5090000250	WASHER, C5191P 2-8.5-22	1	1	
8-63	LM56G--1212CR	HOUSING, VERTICAL (L)	1	1	
8-64	K0608069020	BEARING, BALL SEAL 2RS 6902	1	1	
8-65	K0402028001	RING, RETAINING R M28	1	1	
8-66	K1440000010	GREASE NIPPLE, A TYPE	3	3	
8-67	K0401015001	RING, RETAINING S M15	1	1	
8-68	K0213100002	WASHER, DISK SPRING.H M10-1	1	1	
8-69	K1440000020	GREASE NIPPLE, C	1	1	
8-70					

8 Groomer

※The number of dethatching blades, collars, adjusting washers, and washers differs according to the models.

	LM56-78	LM66-92	LM56-39-1 (t=1)	LM66-46-1 (t=1)
8-23 (0.5mm)	78	92	0	0
8-22	81	95	81	95
8-24	3~5	4~6	0	0
8-70	0	0	0	0
8-73 (1.0mm)	0	0	39	46

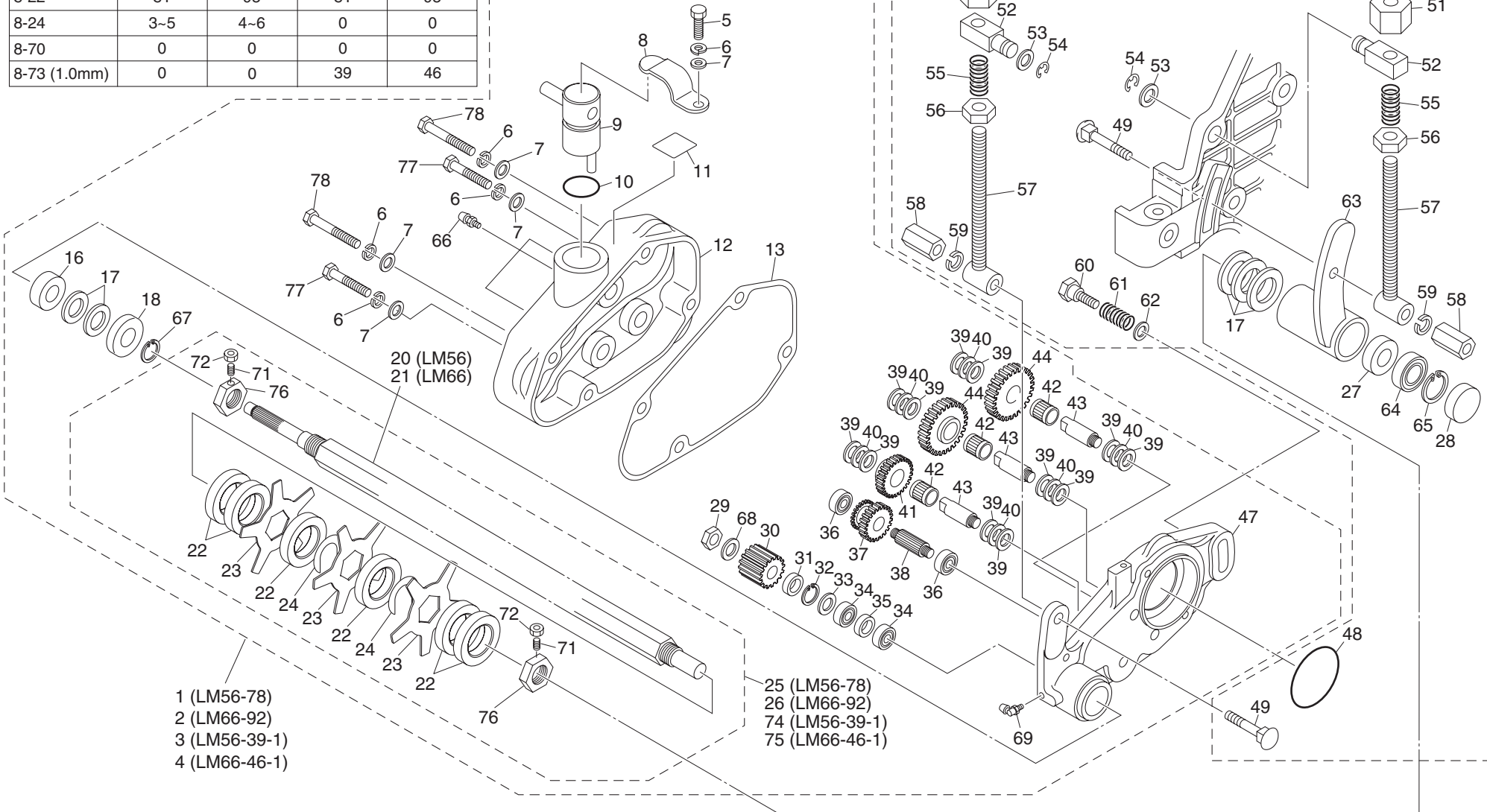
A

B

C

D

E



- 1 (LM56-78)
- 2 (LM66-92)
- 3 (LM56-39-1)
- 4 (LM66-46-1)

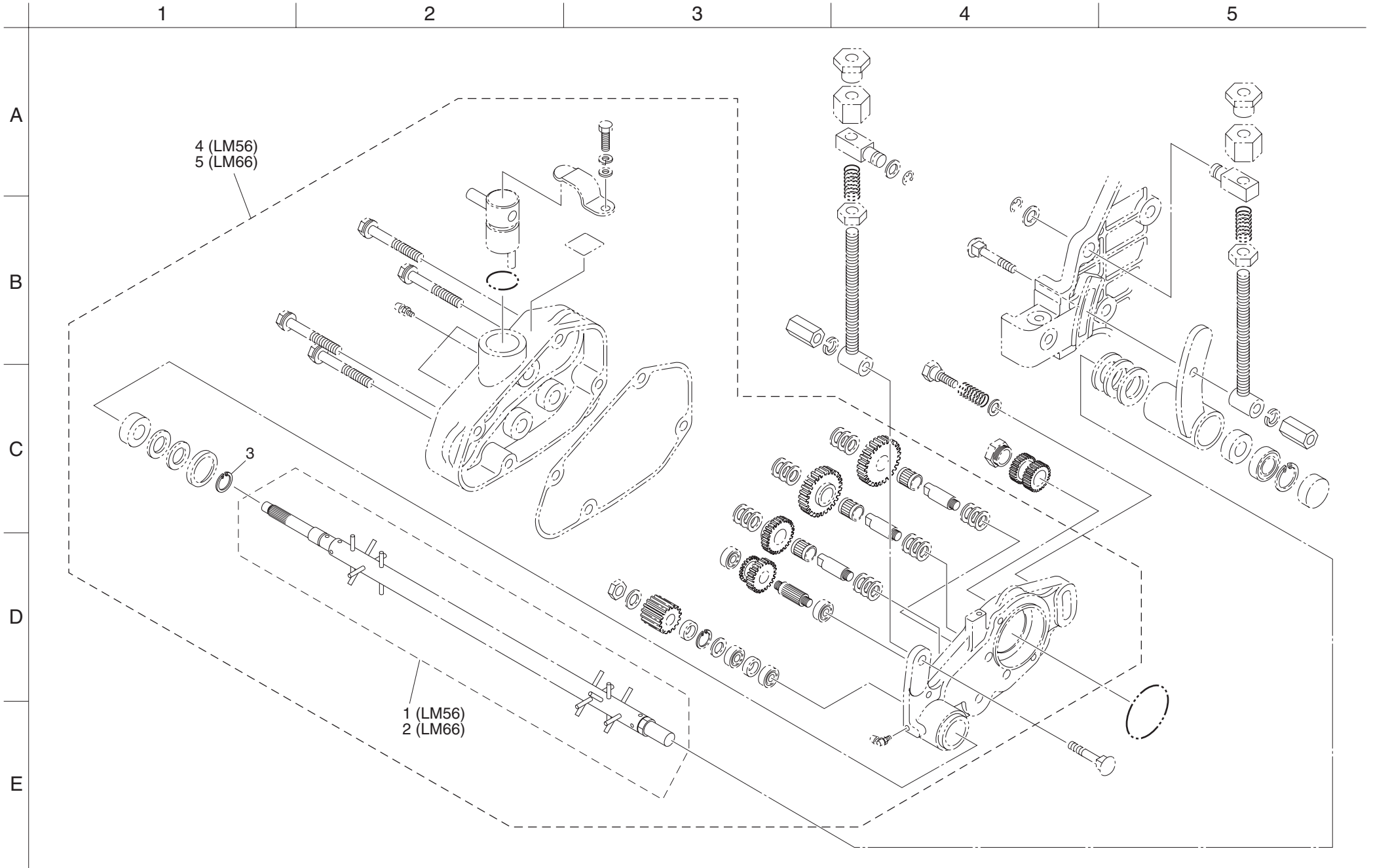
- 25 (LM56-78)
- 26 (LM66-92)
- 74 (LM56-39-1)
- 75 (LM66-46-1)

8 Groomer

Cat No.	Code No.	Part Name	Qty Unit		Remark
			LM56	LM66	
8-71	K0023000041	SETSCREW, M4-8	2	2	
8-72	K0100040002	NUT, M4	2	2	
8-73	K2570000099	BLADE, VERTICAL 63-1	39	46	
8-74	LM56G--2102Z0	DE-THATCHER & SHAFT ASSY, LM56	1	0	
8-75	LM66G--2102Z0	DE-THATCHER COMP, 46-1 LM66	0	1	
8-76	K0160000602	NUT, SPECIAL P1 M17 WITH M4	2	2	
8-77	K0000060402	BOLT, M6-40	2	2	
8-78	K0000060502	BOLT, M6-50	2	2	
		Item 8-23 is 0.5 mm thick Item 8-73 is 1.0 mm thick			

Cat No.	Code No.	Part Name	Qty Unit		Remark
			LM56	LM66	

9 Brush

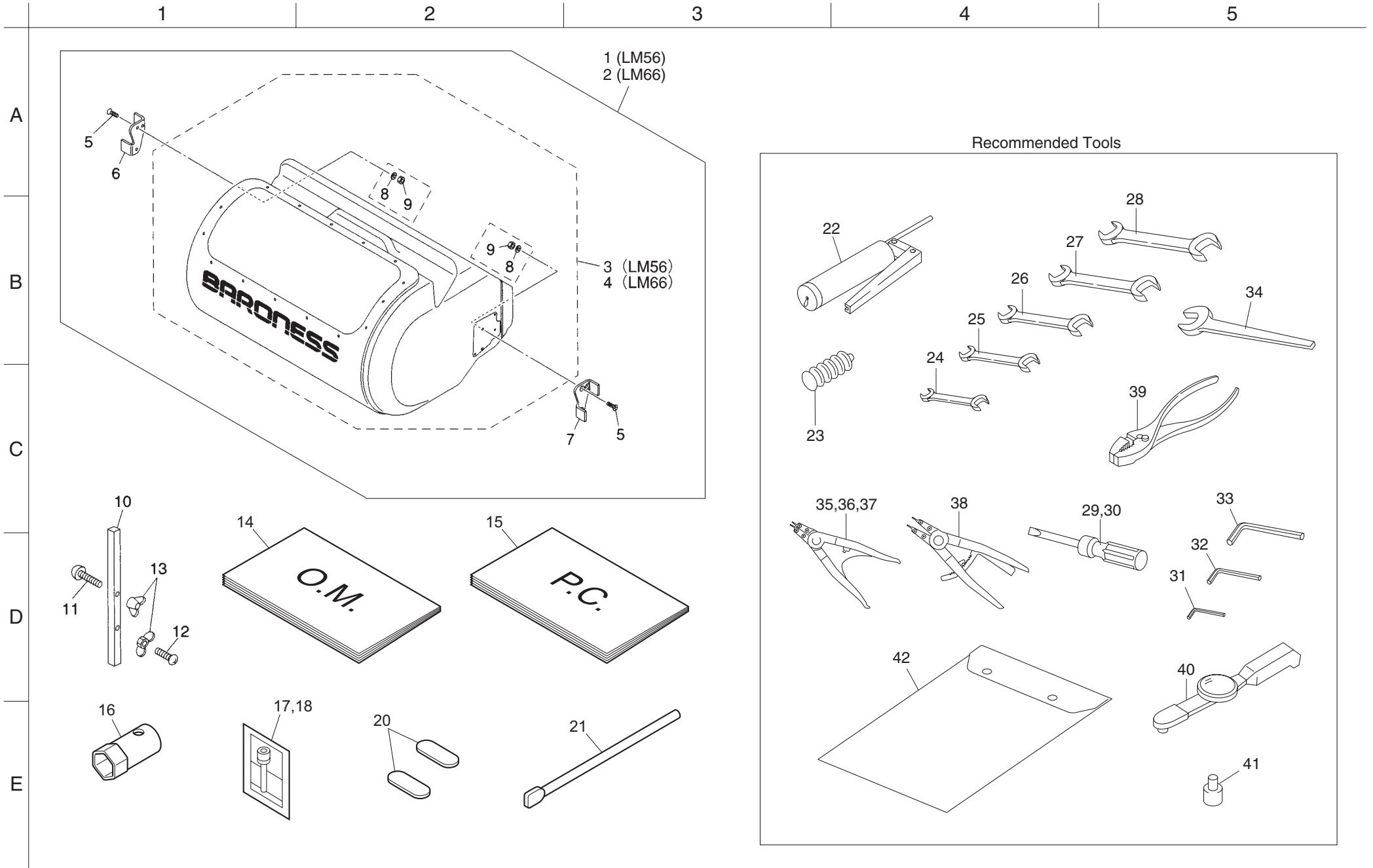


9 Brush

Cat No.	Code No.	Part Name	Qty Unit		Remark
			LM56	LM66	
9-1	K4150000190	ROTARY BRUSH ASSY, LM56	1	0	
9-2	LM66G--1404A0	ROTARY BRUSH COMP, LM66	0	1	
9-3	K0401015001	RING, RETAINING S M15	1	1	
9-4	LM56G--8701Z0	ROTARY BRUSH COMP, LM56	1	0	
9-5	LM66G--8701Z0	ROTARY BRUSH COMP, LM66	0	1	

Cat No.	Code No.	Part Name	Qty Unit		Remark
			LM56	LM66	

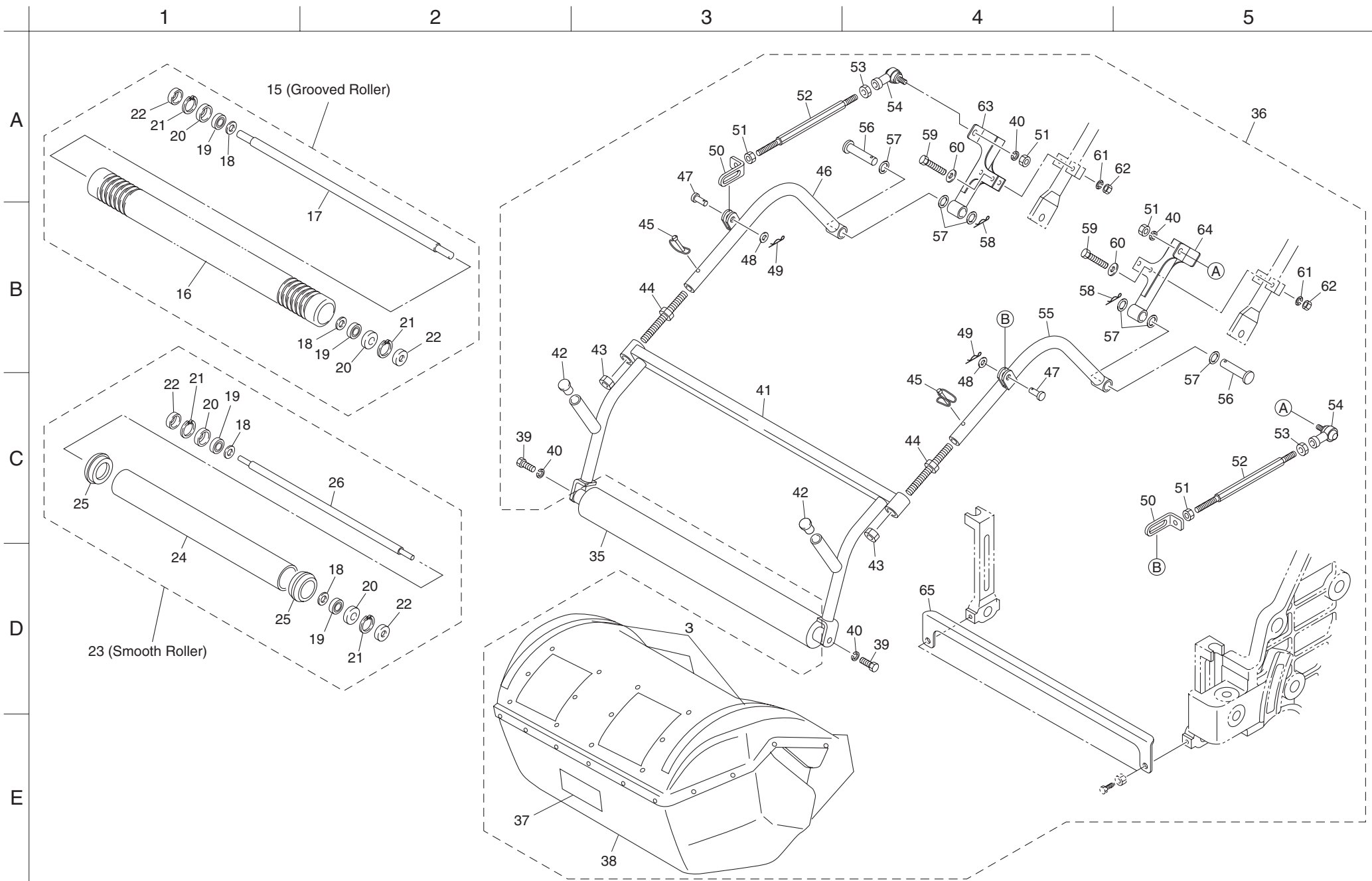
10 Grass catcher/tool



10 Grass catcher/tool

Cat No.	Code No.	Part Name	Qty Unit		Remark	Cat No.	Code No.	Part Name	Qty Unit		Remark
			LM56	LM66					LM56	LM66	
10-1	LM56G--0803Z0	BASKET ASSY, LM56	1	0		10-36	K4802000410	TOOL, STOP RING PLIERS ST-2	—	—	
10-2	LM66G--0803Z0	BASKET ASSY, LM66	0	1		10-37	K4802000420	TOOL, STOP RING PLIERS RT-2	—	—	
10-3	LM56G--0804Z0	BASKET COMP, 56	1	0		10-38	K4802000430	TOOL, STOP RING PLIERS RT-2N	—	—	
10-4	LM66G--0804Z0	BASKET COMP, LM66	0	1		10-39	K4830000032	PLIERS, 135	—	—	
10-5	K0041060202	SCREW, + FLAT HEAD M6-20	4	4		10-40	K4802000370	TOOL, TORQUE WRENCH 6-60	—	—	
10-6	K527600002D	LATCH, (R)	1	1		10-41	K4816006130	SOCKET, HEX 6.35-13	—	—	
10-7	K527600001D	LATCH, (L)	1	1		10-42	K4801000050	BAG, TOOL (BIG)	—	—	
10-8	K0200060002	WASHER, SPRING M6	4	4							
10-9	K0100060002	NUT, M6	4	4							
10-10	K6090000072	GAUGE, CUTTING HEIGHT	1	1							
10-11	K0046060502	SCREW, + PAN HEAD M6-50	1	1							
10-12	K0046060302	SCREW, + PAN HEAD M6-30	1	1							
10-13	K0141060002	NUT, WING M6-3	2	2							
10-14	750101-77-A	OWNERS OPERATING MANUAL (GB) , LM56GB	1	1							
10-15	750101-77-B	PARTS CATALOG (GB) , LM56GB	1	1							
10-16	K4812170192	SPANNER, BOX 17*19	1	1							
10-17	R2ZZ-99901-85	OWNERS OPERATING MANUAL (EX13D) ENGLISH	1	1							
10-18	R277-90301-H0	ACCESSORY TOOL KIT	1	1							
10-19											
10-20	K4802000120	GAUGE, THICKNESS0.5	2	2							
10-21	K5402000012	SHAFT, 6-12	1	1							
10-22	K4850000022	GREASE GUN	—	—							
10-23	K2931000400	GREASE, EXCELITE EP NO.2 400G	—	—							
10-24	K4810070082	WRENCH, 7*8	—	—							
10-25	K4810100122	WRENCH, 10*12	—	—							
10-26	K4810130172	WRENCH, 13*17	—	—							
10-27	K4810190222	WRENCH, 19*22	—	—							
10-28	K4810220242	WRENCH, 22*24	—	—							
10-29	K4820000020	SCREWDRIVER, - 200	—	—							
10-30	K4820000010	SCREWDRIVER, +/-	—	—							
10-31	K4813020001	SPANNER, HEX PIN 2	—	—							
10-32	K4813040001	SPANNER, HEX PIN 4	—	—							
10-33	K4813050001	SPANNER, HEX PIN 5	—	—							
10-34	K4811240002	WRENCH, SINGLE HEAD 24	—	—							
10-35	K4802000400	TOOL, STOP RING PLIERS ST-1	—	—							

11b Independent grass catcher arm (LM56G) option



11b Independent grass catcher arm (LM56G) option

Cat No.	Code No.	Part Name	Qty Unit		Remark	Cat No.	Code No.	Part Name	Qty Unit		Remark
			LM56	LM66					LM56	LM66	
11b-1	K4209001230	STICKER, ALIGNMENT 10300 (SET OF 2PCS)	1	0		11b-36	LM56GB-7120Z0	ARM ASSY, GRASS CATCHER	1	0	
11b-2						11b-37	K4201000570	STICKER, BARONESS	1	0	
11b-3						11b-38	LM54G--0801B0	GRASS CATCHER, LM56 IGCA	1	0	
11b-4						11b-39	K0000100202	BOLT, M10-20	2	0	
11b-5						11b-40	K0200100002	WASHER, SPRING M10	4	0	
11b-6						11b-41	LM56GB-7101ZD	CATCHER ARM	1	0	
11b-7						11b-42	K1310000060	CAP, 12.7	2	0	
11b-8						11b-43	K0100160002	NUT, M16	2	0	
11b-9						11b-44	LM56GB-7104Z2	SHAFT, WITH M16 THREAD	2	0	
11b-10						11b-45	K0450000030	PIN, PIPE 45	2	0	
11b-11	LM56G--6811Z0	ROLLER, GROOVED FOR IGCA LM56	1	0		11b-46	LM56GB-7103ZD	ARM, (R)	1	0	
11b-12						11b-47	K6031100258	PIN, FLAT HEAD HT M10-25	2	0	
11b-13						11b-48	K5000100002	WASHER, M10	2	0	
11b-14						11b-49	K0331000008	PIN, SNAP M10	2	0	
11b-15						11b-50	LM56GB-7108Z2	ANGLE	2	0	
11b-16	LM56G--0402ZD	ROLLER, GROOVED 39 (LM56)	1	0		11b-51	K0100100002	NUT, M10	4	0	
11b-17	LM56G--6806Z2	SHAFT, IGCA ROLLER 651	1	0		11b-52	LM56GB-7109Z2	ROD	2	0	
11b-18	K5051015280	WASHER, C5191P 1-15-28	2	0		11b-53	K0180100002	NUT, LEFT-HANDED M10	2	0	
11b-19	K0616062020	BEARING, BALL SEAL 2NSEC3 6202	2	0		11b-54	K16041000L0	JOINT, SPHERICAL LHSA10L	2	0	
11b-20	K0861000030	OIL SEAL, 6202	2	0		11b-55	LM56GB-7102ZD	ARM, (L)	1	0	
11b-21	K0402042001	RING, RETAINING R M42	2	0		11b-56	LM56GB-7107Z2	PIN, FLAT HEAD HT M16-70	2	0	
11b-22	K0861000020	OIL SEAL, TA1542.38	2	0		11b-57	K5051016240	WASHER, C5191P 1-16-24	6	0	
11b-23	LM54G--0810B0	ROLLER ASSY, 590	1	0		11b-58	K0331300008	PIN, SNAP M13	2	0	
11b-24	K6226000100	PIPE, ROLLER M55-605-60	1	0		11b-59	K0000080402	BOLT, M8-40	4	0	
11b-25	LM54GA-0812A0	HOUSING, ROLLER 60	2	0		11b-60	K5000080002	WASHER, M8	4	0	
11b-26	K6131000060	SHAFT, TAPPED ROLLER 651	1	0		11b-61	K0200080002	WASHER, SPRING M8	4	0	
11b-27						11b-62	K0100080002	NUT, M8	4	0	
11b-28						11b-63	LM56GB-7106ZD	FITTING, (R)	1	0	
11b-29						11b-64	LM56GB-7105ZD	FITTING, (L)	1	0	
11b-30						11b-65	LM56GB-7110ZD	PLATE, AUXILIARY	1	0	
11b-31	LM54G--0810B0	ROLLER ASSY, 590	1	0							
11b-32											
11b-33											
11b-34											
11b-35											

12 Maintenance supplies

1

2

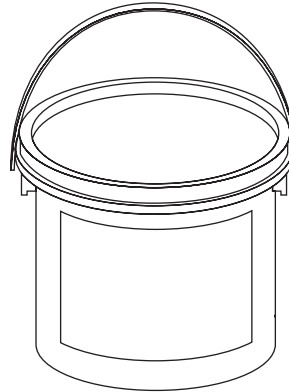
3

4

5

A

■ Gel compound



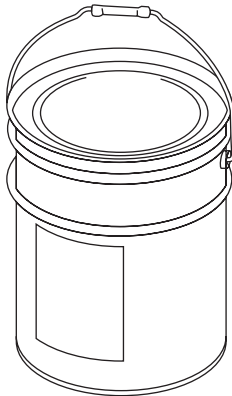
Gel compound #220 1 Can (3.5kg)
(6902110)

Gel compound #220 1 case (4 Cans)
(6902111)

B

C

■ Excelite Ep2 grease

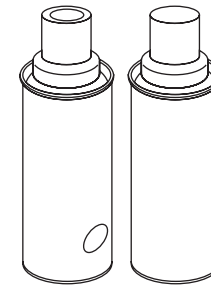


18kg Can
(2931018000)



400g tube
(K2931000400)

■ BARONESS lacquer spray (400 ml)



Wine red (750301)
Light gray (750302)

D

E

MEMO

BARONESS[®]
Quality on Demand



KYOEISHA CO.,LTD.

Head Office 1-26, Miyuki-cho, Toyokawa, Tel : (0533)84-1390
Aichi-Pref. 442-8530 Japan. Fax : (0533)89-3623