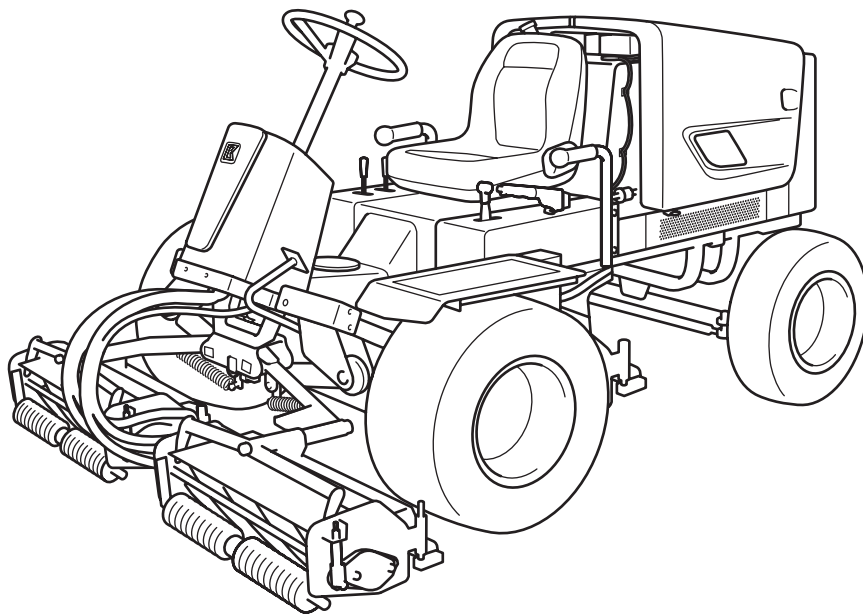


LM281

3-Unit Reel Mower

Parts Catalog



BARONESS[®]

Quality on Demand

Serial No.10203-

Ver.2.2

Greeting

Thank you for purchasing Baroness machine.

This machine has been shipped from the factory after comprehensive test runs and inspections. However, the optimum performance of the machine depends on how you use and maintain it, including routine inspections, adjustments, and fuel supplies before and after the operation.

We hope you will use the machine safely, and take advantage of its best performance.

Note

(For inquiry about this machine)

Since the type of machine may be changed sequentially, inform us of the type and the serial number.

The information described in this manual is subject to change without prior notice.

When replacing parts, be sure to use Baroness parts or parts designated by Kyo-eisha.

Note that the Baroness product warranty may not apply to defects caused by the use of parts from other companies.

(For ordering parts)

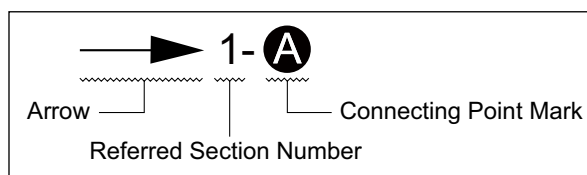
For prevention of delivery of wrong parts, be sure to inform us of the code number and the part name.

Example:	Code No.	Part Name	Qty
	K0200100002	WASHER, SPRING M10	8

<Indication of the connecting point shown on the other page>

(Example and description)

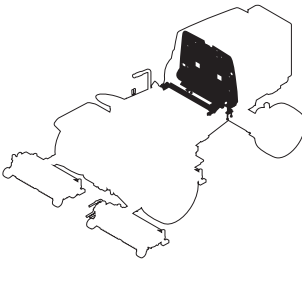
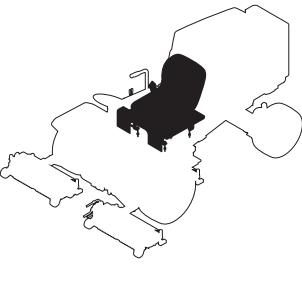
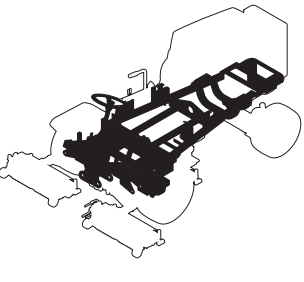
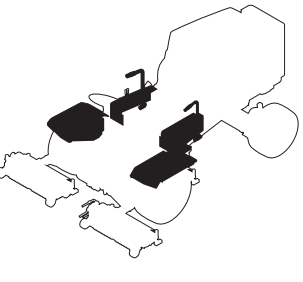
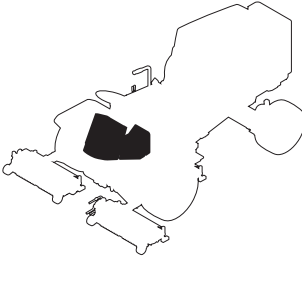
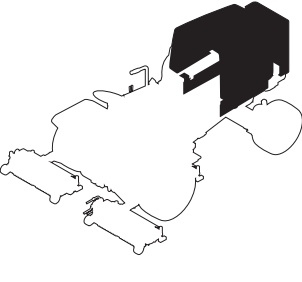
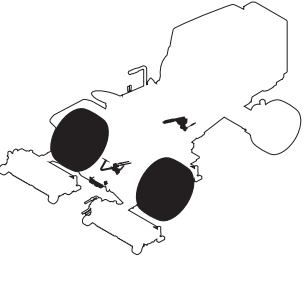
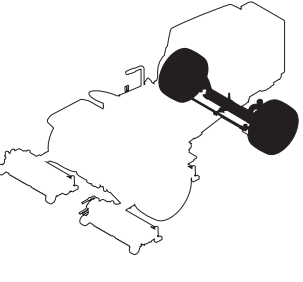
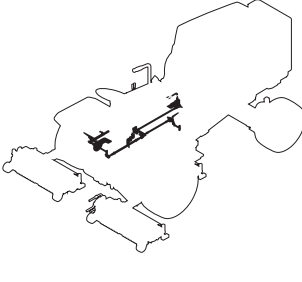
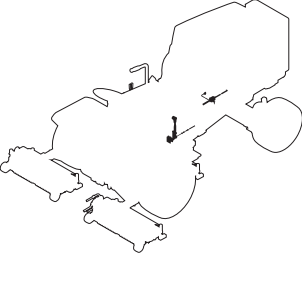
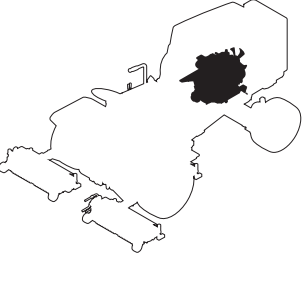
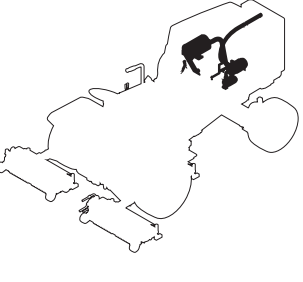
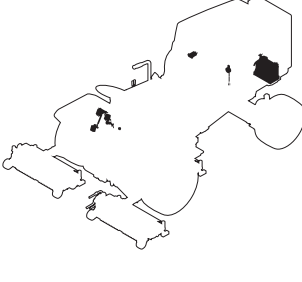
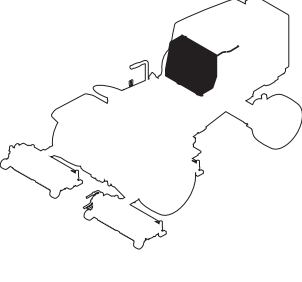
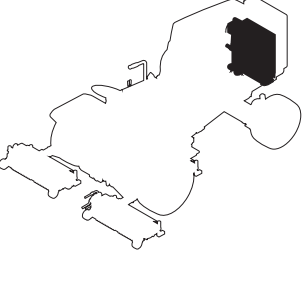
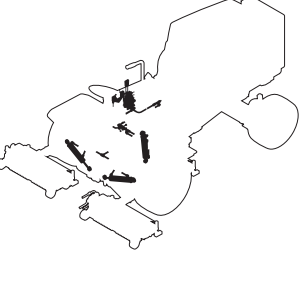
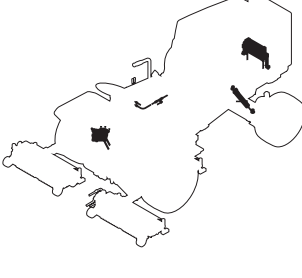
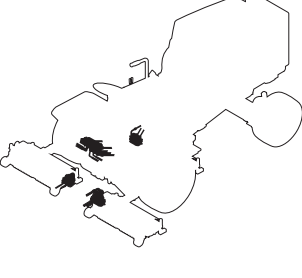
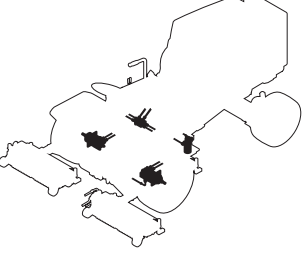
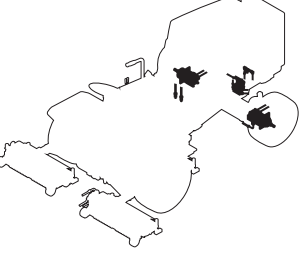
The following indication shows the connecting point of the part shown on the other page.

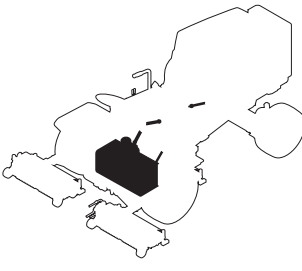
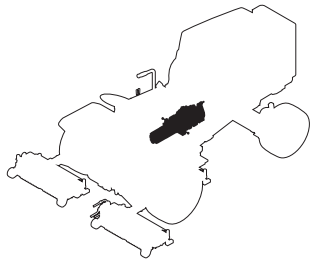

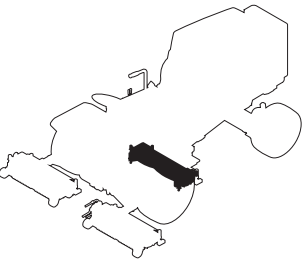
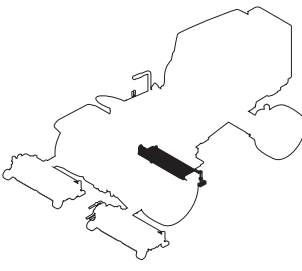
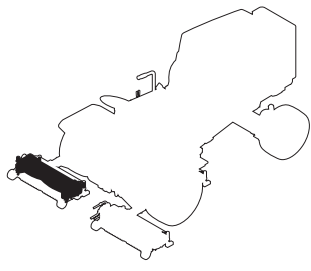
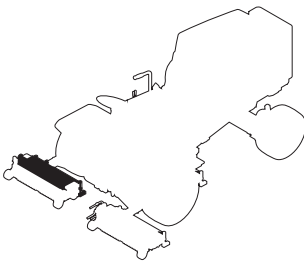
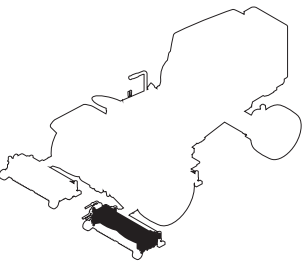
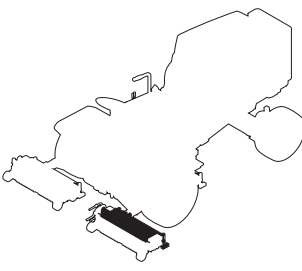
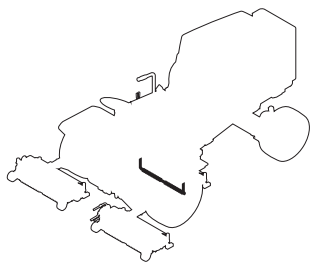
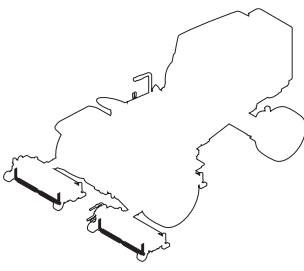
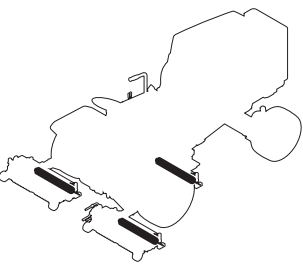
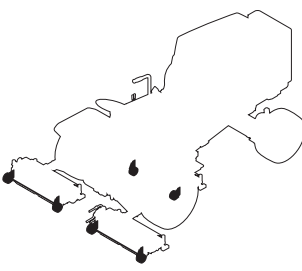
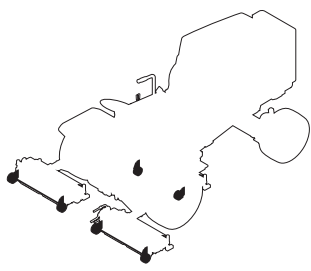
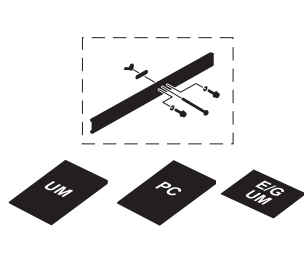
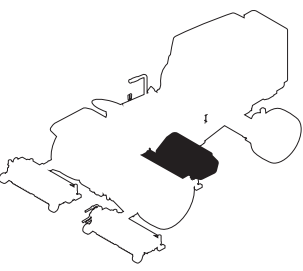
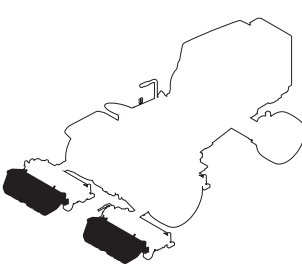
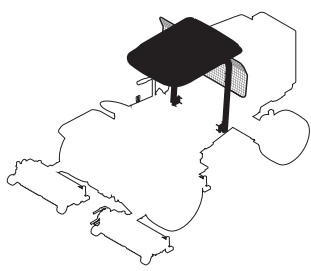
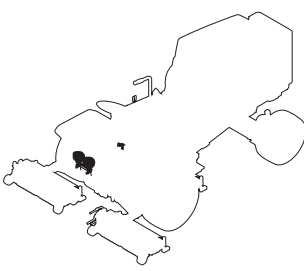
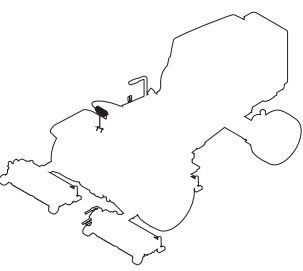


→ 1- **A** : Refer to the point **A** in the illustration of the section No.1

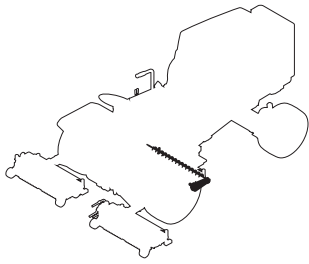
→ 2- **B** : Refer to the point **B** in the illustration of the section No.2

Contents

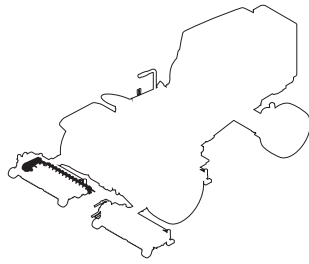
<p>1. Frame section A P4</p> 	<p>2. Frame section B P5</p> 	<p>3. Frame section C P7</p> 	<p>4. Front cover section A P8</p> 
<p>5. Front cover section B P10</p> 	<p>6. Rear cover section P11</p> 	<p>7. Front wheel section P13</p> 	<p>8. Rear wheel section P15</p> 
<p>9. Pedal section P17</p> 	<p>10. Engine section A P19</p> 	<p>11. Engine section B P20</p> 	<p>12. Engine section C P22</p> 
<p>13. Engine section D P24</p> 	<p>14. Fuel tank section P26</p> 	<p>15. Radiator section P27</p> 	<p>16. Hydraulic section A (Cylinder system) P28</p> 
<p>17. Hydraulic section B (Power steering system)..... P30</p> 	<p>18. Hydraulic section C (Reel motor system) P32</p> 	<p>19. Hydraulic section D (Front wheel motor system) P34</p> 	<p>20. Hydraulic section E (Rear wheel motor system) P36</p> 

<p>21. Hydraulic section F (Hydraulic tank system) P38</p> 	<p>22. Hydraulic section G (Piston pump system)... P39</p> 	<p>A23. Mower lift arm section P40</p> 	<p>24. Mower section A (#1) P42</p> 
<p>25. Mower section B (#1) P44</p> 	<p>A26. Mower section A (#2) P45</p> 	<p>A27. Mower section B (#2) P47</p> 	<p>A28. Mower section A (#3) P48</p> 
<p>A29. Mower section B (#3) P50</p> 	<p>30-1. Front roller section 30inch (#1) P51</p> 	<p>30-2. Front roller section 26inch (#2,#3) P52</p> 	<p>31. Rear roller section P53</p> 
<p>32. Mower wheel section P54</p> 	<p>A32. Mower wheel section P55</p> 	<p>33. Accessory section P56</p> 	<p>34. Grass catcher section (#1) P57</p> 
<p>35. Grass catcher section (#2,#3) P59</p> 	<p>36. Roof Assy section P60</p> 	<p>37. Light section P62</p> 	<p>38. Angle gauge section P63</p> 

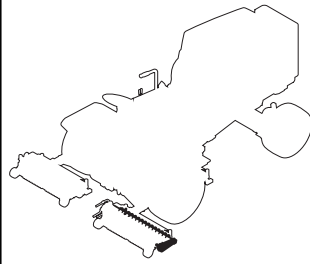
39. CR brush section 30inch (#1) P64



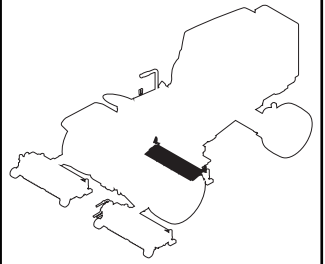
40. CR brush section 26inch (#2) P66



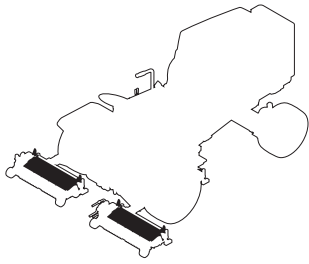
41. CR brush section 26inch (#3) P68



42. Variable reel cover section (30inch) P70

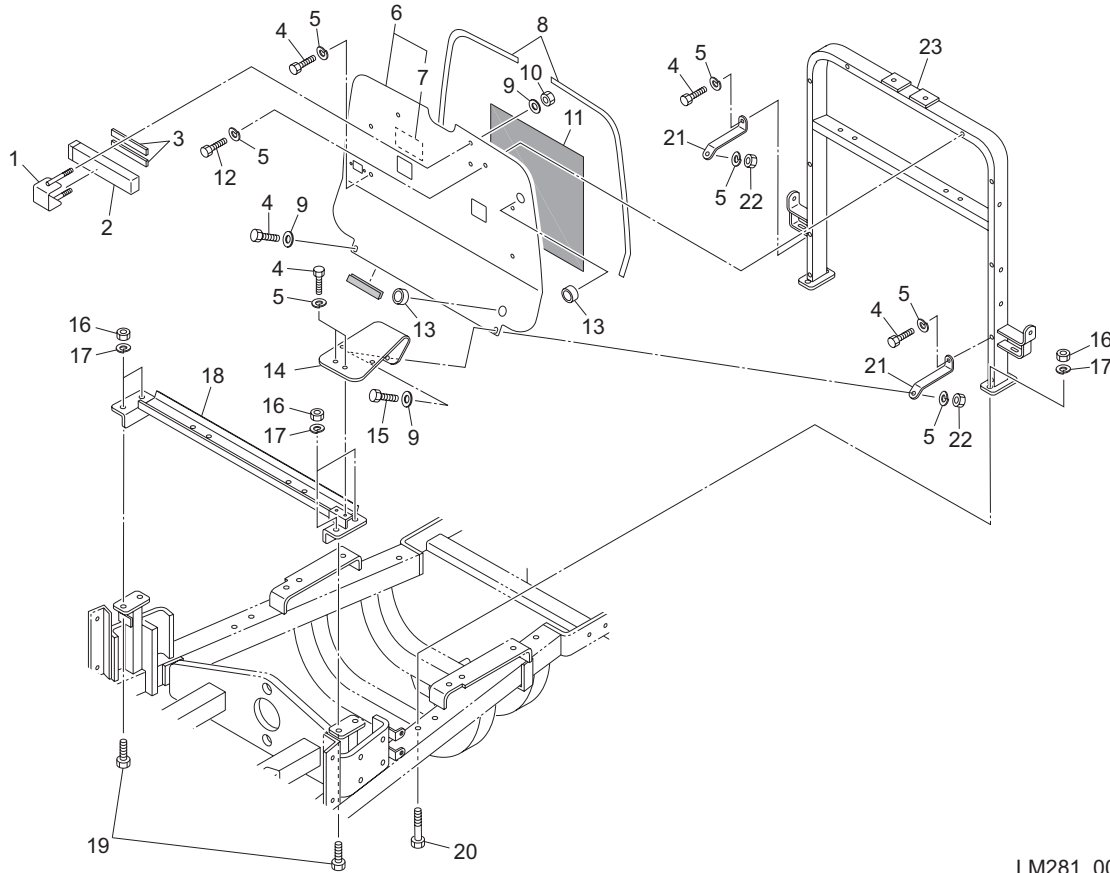


43. Variable reel cover section (26inch) P71



1. Frame section A

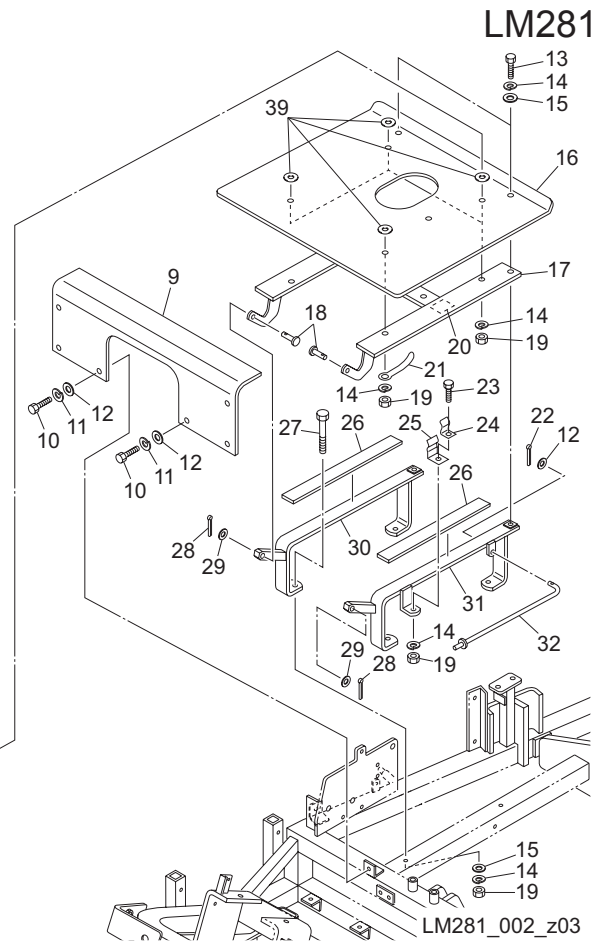
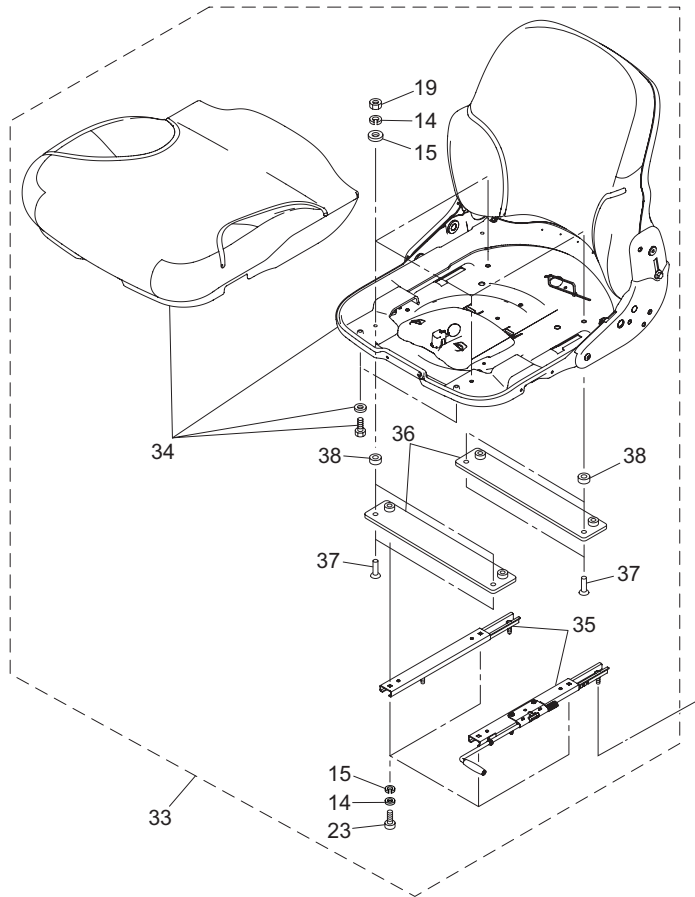
LM281



LM281_001_z00

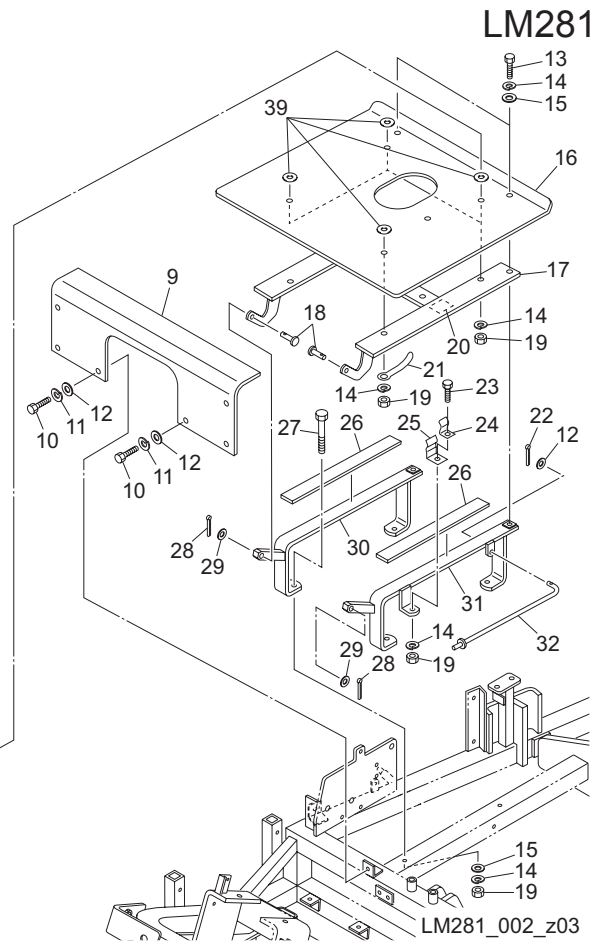
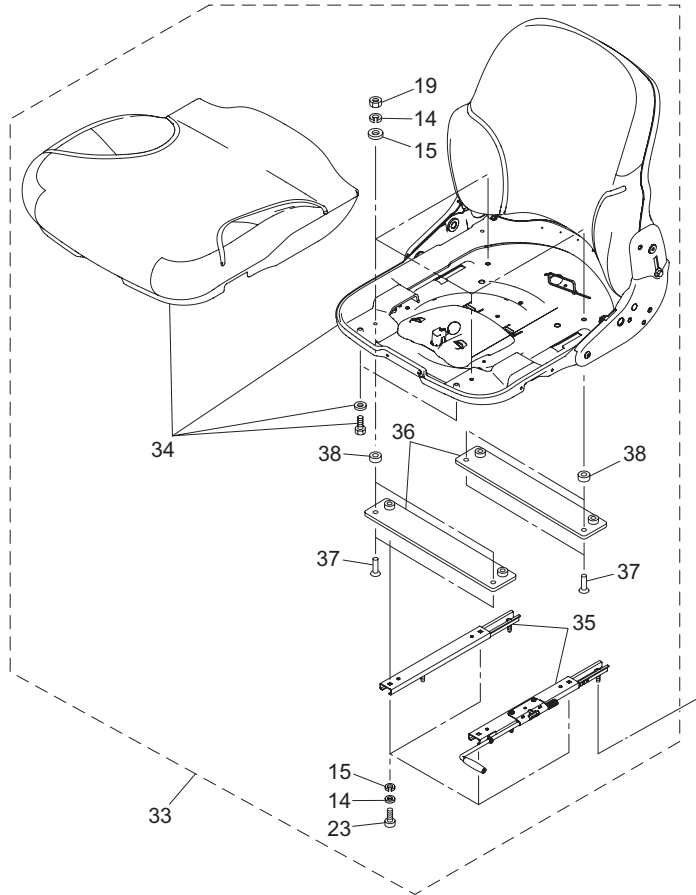
Cat No.	Code No.	Part name	Qty	Remark	SN of application
1-1	LM285--1002ZD	FITTING	1		
1-2	LM285--1001Z0	CASE, MANUAL	1		
1-3	K4228000040	SPONGE, RUBBER 5-15-230	2		
1-4	K0000060152	BOLT, M6-15	5		
1-5	K0200060002	WASHER, SPRING M6	12		
1-6	LM281--0613Z0	PLATE, SHIELDING WIND W/ DECAL	1		
1-7	K4205001540	DECAL, CAUTION TO HOT PARTS	1		
1-8	K3198108200	TRIM, SEAL 6100-16C-820	2		
1-9	K5000060002	WASHER, M6	2		
1-10	K0144060002	NUT, W/F-RING M6	2		
1-11	LM318--0630Z0	INSULATOR, FUEL TANK	1		
1-12	K0000060102	BOLT, M6-10	6		
1-13	K0910000100	GROMMET, C30NG79L	2		
1-14	LM318--0637ZD	MOUNT, FUEL PUMP	1		
1-15	K0000060202	BOLT, M6-20	1		
1-16	K0100080002	NUT, M8	8		
1-17	K0200080002	WASHER, SPRING M8	8		
1-18	LM285--0621ZD	STAY, TANK	1		
1-19	K0000080202	BOLT, M8-20	4		
1-20	K0003080702	BOLT, M8-70	4		
1-21	LM318--0621AD	SUPPORT, WIND SHIELD	2		
1-22	K0100060002	NUT, M6	2		
1-23	LM281--0610ZD	BRACKET, TANK	1		

2. Frame section B



Cat No.	Code No.	Part name	Qty	Remark	SN of application
2-1					
2-2					
2-3					
2-4					
2-5					
2-6					
2-7					
2-8					
2-9	LM282--0958ZD	COVER, FRONT (CENTER)	1		
2-10	K0000060152	BOLT, M6-15	2		
2-11	K0200060002	WASHER, SPRING M6	2		
2-12	K5000060002	WASHER, M6	3		
2-13	K0000080252	BOLT, M8-25	3		
2-14	K0200080002	WASHER, SPRING M8	19		
2-15	K5000080002	WASHER, M8	14		
2-16	LM285--0959ZD	COVER, UNDER SEAT	1		
2-17	LM282--0646AD	PLATE, FOR MOUNTING SEAT	1		
2-18	K6030100322	PIN, FLAT HEAD M10-32	2		
2-19	K0100080002	NUT, M8	15		
2-20	K4209001180	DECAL, ARROW POINT	1		
2-21	K4281000020	CLAMP, HARNESS 8.5 80	1		
2-22	K0300016122	PIN, COTTER M1.6-12	1		
2-23	K0000080202	BOLT, M8-20	5		
2-24	K1090000108	SPRING, RECEIVING ROD B	1		
2-25	K5270002052	RECEIVER, ROD A	1		
2-26	LM282--0606Z0	RUBBER, FOR SEAT BASE	2		
2-27	K0000080602	BOLT, M8-60	4		
2-28	K0300025202	PIN, COTTER M2.5-20	2		
2-29	K5011010162	WASHER, SPCC 1-10-16	2		
2-30	LM282--0605DD	FITTING, MOUNTING SEAT (RH)	1		

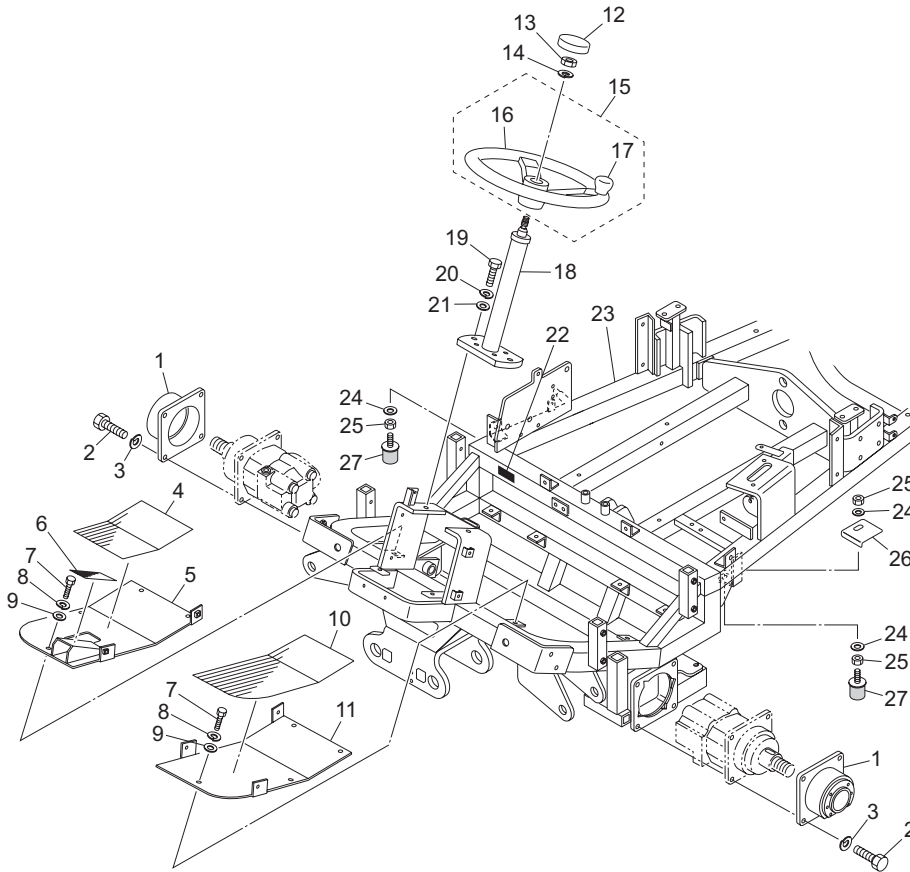
2. Frame section B



Cat No.	Code No.	Part name	Qty	Remark	SN of application
2-31	LM282--0603BD	FITTING, MOUNTING SEAT (LH)	1		
2-32	MS400--0521Z2	STAND	1		
2-33	K1700000490	SEAT, SGA NO W/RAIL BOARD	1		
2-34	K1700000460	SEAT, SGA 18209 NO	1		
2-35	K1701000170	RAIL, SLIDE SGA	1		
2-36	K720000008D	BRACKET, SEAT	2		
2-37	K0053080302	BOLT, FLAT HEAD W/HEX HOLE M8-30	4		
2-38	K6212001702	COLLAR, STKM M8.5-17-10	4		
2-39	K5012308262	WASHER, SPCC 2.3-8-26	4		

3. Frame section C

LM281

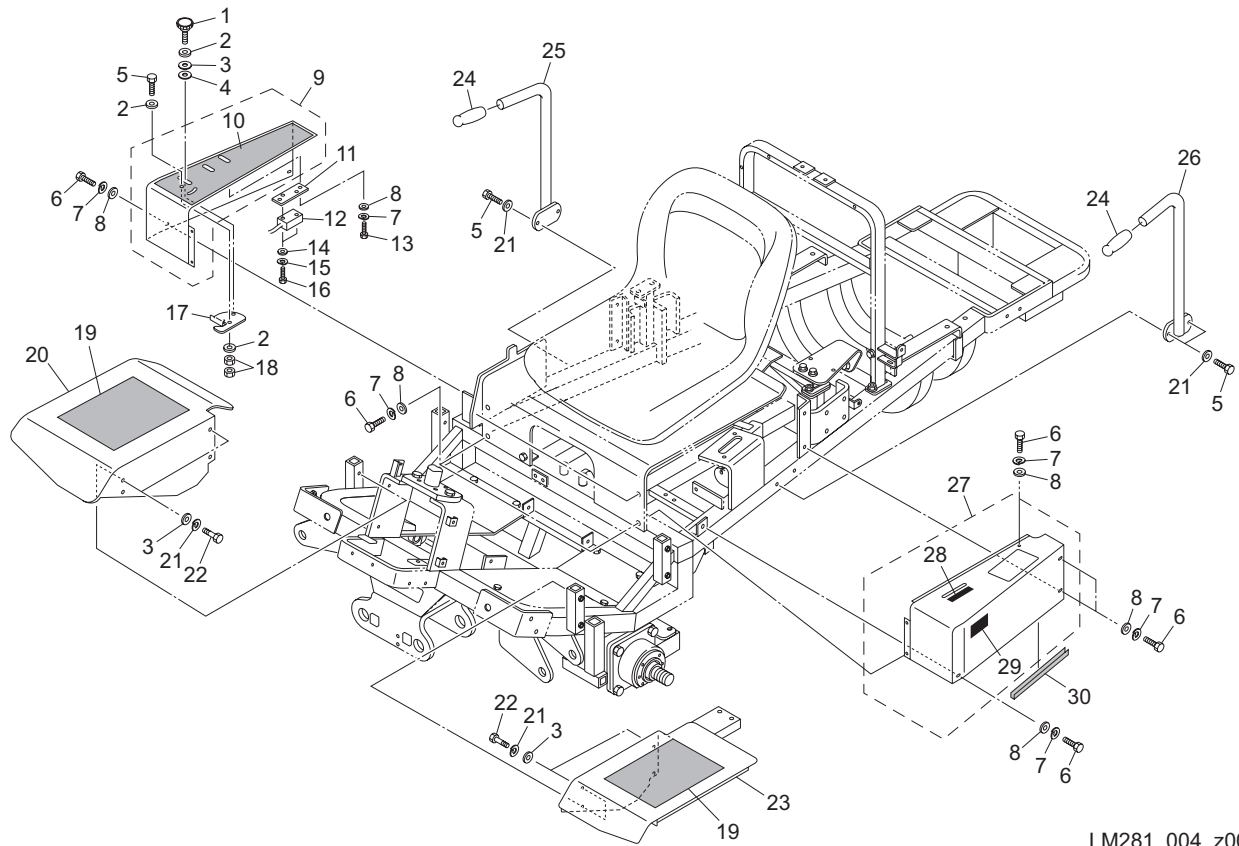


LM281_003_z00

Cat No.	Code No.	Part name	Qty	Remark	SN of application
3-1	LM318--0609ZD	HOUSING, HYDRAULIC MOTOR	2		
3-2	K0010120602	BOLT, HT M12-60	8		
3-3	K0200120002	WASHER, SPRING M12	8		
3-4	LM318--0623Z0	RUBBER, STEP (RH)	1		
3-5	LM318--0648ZD	STEP, (RH)	1		
3-6	LM318--0625Z0	RUBBER, PLATE FOR PEDAL STEP	1		
3-7	K0000060152	BOLT, M6-15	8		
3-8	K0200060002	WASHER, SPRING M6	8		
3-9	K5000060002	WASHER, M6	8		
3-10	LM318--0608Z0	RUBBER, STEP (LH)	1		
3-11	LM318--0647ZD	STEP, (LH)	1		
3-12	K1310000130	CAP, RUBBER	1		
3-13	K0103140002	NUT, P1.5 M14	1		
3-14	K0200140002	WASHER, SPRING M14	1		
3-15	K1710000070	STEERING, W/KNOB V027220-0000	1		
3-16	K1710000080	STEERING, V027220-0101	1		
3-17	K1710000090	KNOB ASSY, V027220-0200	1		
3-18	K1730000070	COLUMN, STEERING	1		
3-19	K0000100302	BOLT, M10-30	2		
3-20	K0200100002	WASHER, SPRING M10	2		
3-21	K5000100002	WASHER, M10	2		
3-22	K4203001290	DECAL, STOP VALVE OPERATION	1		
3-23	LM285--0601CD	FRAME	1		
3-24	K5000080002	WASHER, M8	3		
3-25	K0100080002	NUT, M8	4		
3-26	LM285--0653ZD	ANGLE	1		
3-27	K4049030000	RUBBER, STOPPER KI-30	2		

4. Front cover section A

LM281

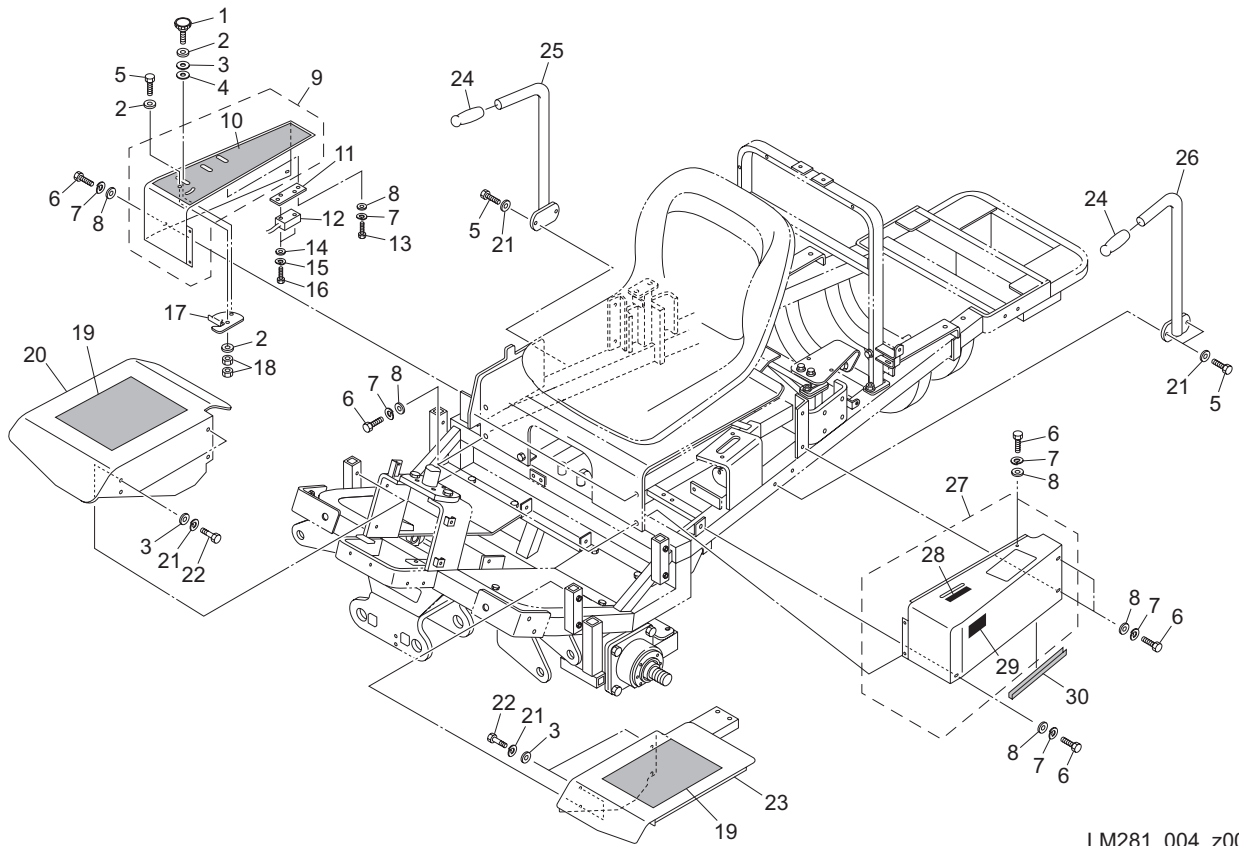


LM281_004_z00

Cat No.	Code No.	Part name	Qty	Remark	SN of application
4-1	K1320000030	KNOB, W/M8 4215	1		
4-2	K0210080002	SPRING, CONICAL DISC L M8	3		
4-3	K5000080002	WASHER, M8	9		
4-4	K4015108180	PACKING, FIBER 1-8.5-18	1		
4-5	K0000080202	BOLT, M8-20	5		
4-6	K0000060152	BOLT, M6-15	11		
4-7	K0200060002	WASHER, SPRING M6	11		
4-8	K5000060002	WASHER, M6	11		
4-9	LM281--0911Z0	COVER COMP, FRONT (RH)	1		
4-10	LM281--0902Z0	DECAL, OPERATING LEVER	1		
4-11	LM285--0962Z2	BRACKET, SWITCH	1		
4-12	K3670000130	SWITCH, LIMIT AZ3725-1	1		
4-13	K0000060102	BOLT, M6-10	2		
4-14	K5000040002	WASHER, M4	2		
4-15	K0200040002	WASHER, SPRING M4	2		
4-16	K0042040252	SCREW, + ROUND HEAD M4-25	2		
4-17	LM285--0961ZD	STOPPER	1		
4-18	K0100080002	NUT, M8	2		
4-19	LM318--0965Z0	SHEET, SLIP RESISTANCE	2		
4-20	LM282--7504ZR	COVER, WHEEL (RH)	1		
4-21	K0200080002	WASHER, SPRING M8	12		
4-22	K0000080502	BOLT, M8-50	8		
4-23	LM285--0951ZR	COVER, WHEEL (LH)	1		
4-24	K1300000020	GRIP, RUBBER HANDLE 25.4	2		
4-25	LM285--0652ZD	HAND REST, (RH)	1		
4-26	LM285--0651ZD	HAND REST, (LH)	1		
4-27	LM285--0971Z0	COVER COMP, FRONT (LH)	1		
4-28	K4203001220	DECAL, ENGINE ROTATION	1		
4-29	K4205001540	DECAL, CAUTION TO HOT PARTS	1		
4-30	K3197002000	TRIM, AL 75-16-200	1		

4. Front cover section A

LM281

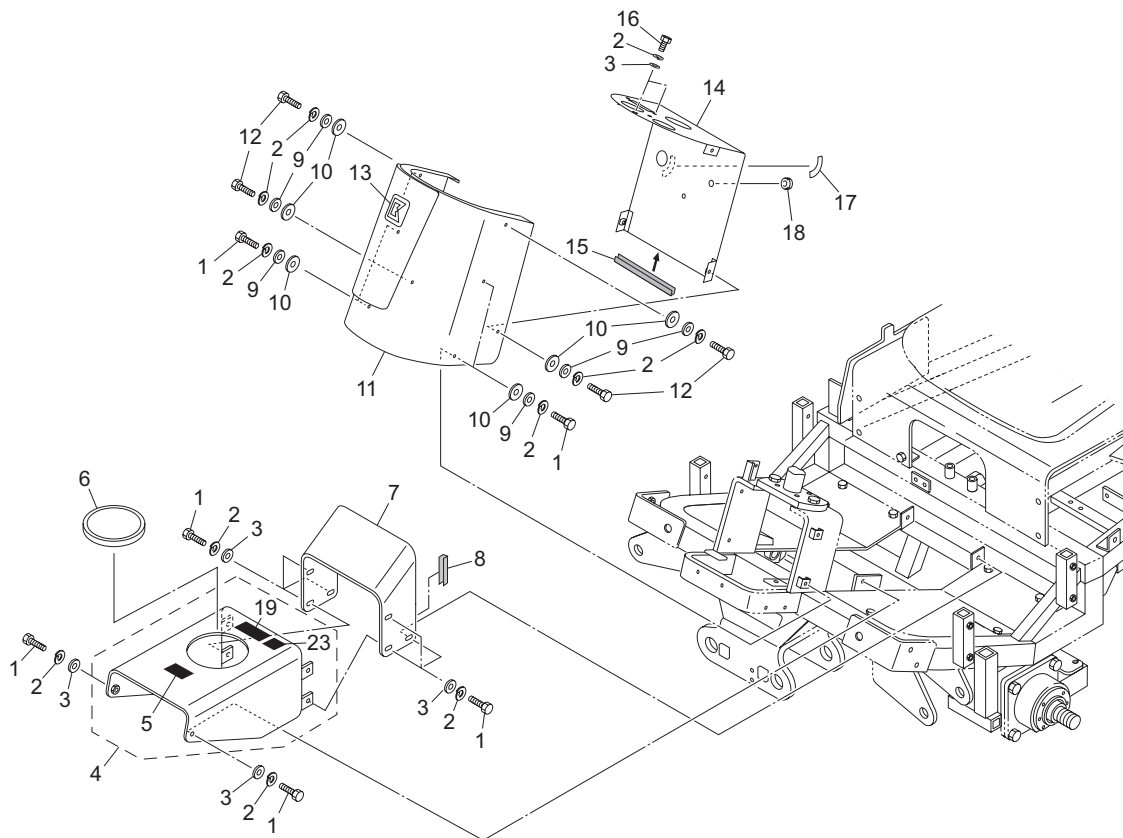


LM281_004_z00

Cat No.	Code No.	Part name	Qty	Remark	SN of application
4-31					
4-32					

5. Front cover section B

LM281

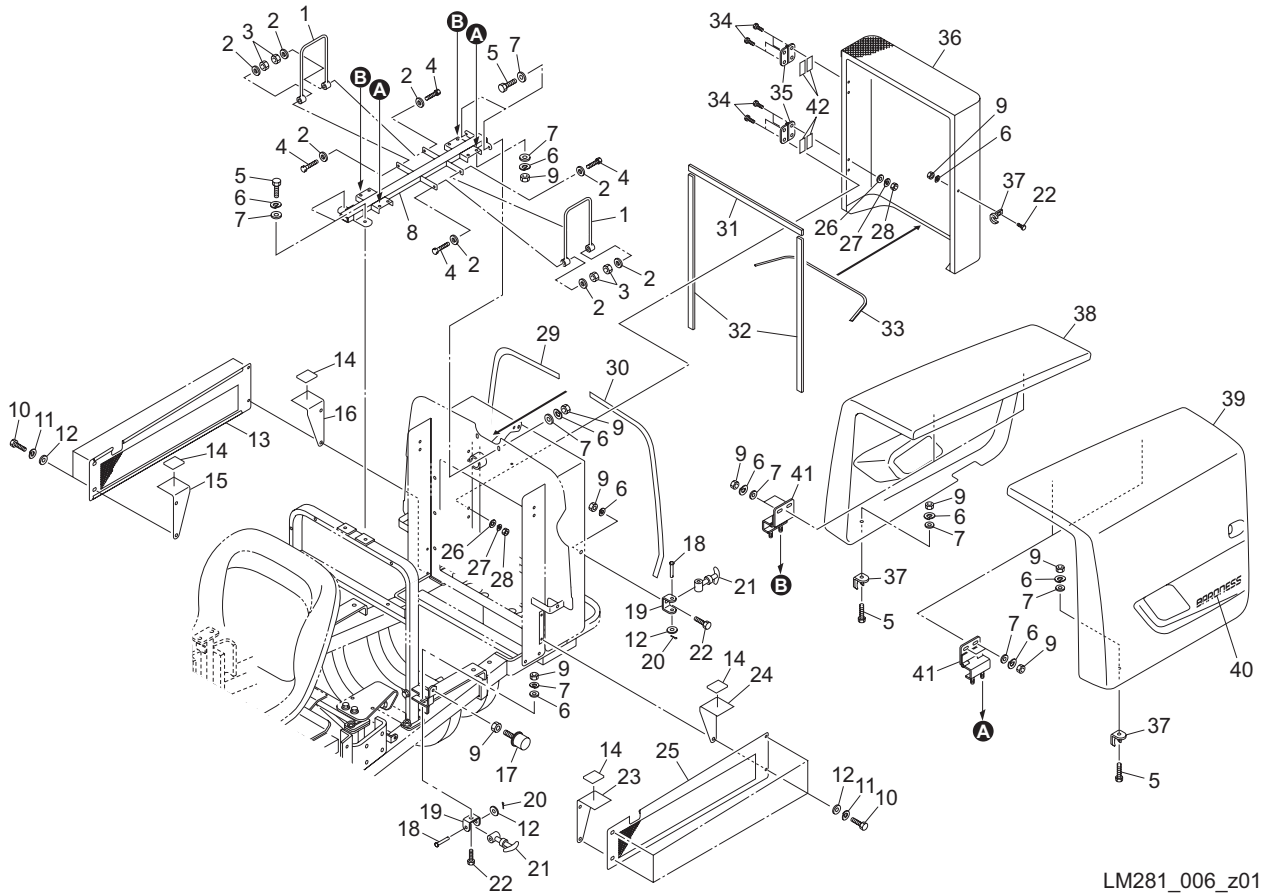


LM281_005_a02

Cat No.	Code No.	Part name	Qty	Remark	SN of application
5-1	K0000060152	BOLT, M6-15	12		
5-2	K0200060002	WASHER, SPRING M6	18		
5-3	K5000060002	WASHER, M6	10		
5a-4	LM285--0968B0	COVER, CENTER W/MARK (FRONT)	1		
5-5	K4209000980	DECAL, HYDRAULIC OIL	1		
5-6	K0900301200	GROMMET, W/SEALING C30SG120A	1		
5-7	LM318--0959ZD	COVER, CENTER (REAR)	1		
5-8	K3197000500	TRIM, AL 75-16-50	1		
5-9	K5011606202	WASHER, SPCC 1.6-6-20	8		
5-10	K4030306200	RUBBER, WASHER 3-6.5-20	8		
5-11	LM285--0906A0	COVER COMP, (FRONT)	1		
5-12	K0000060202	BOLT, M6-20	4		
5-13	K4201000590	STICKER, K	1		
5-14	LM281--0901ZD	PANEL, METER	1		
5-15	K3197002550	TRIM, AL 75-16-255	1		
5-16	K0060060120	BOLT, SUS W/HEX HOLE M6-12	2		
5-17	K4209001190	DECAL, KEY SWITCH	1		
5-18	K0900300120	GROMMET, W/SEALING C30SG12A	1		
5-19	K4209001340	DECAL, CAUTION "DO NOT STEP"	1		
5-20					
5-21					
5a-22					
5a-23	K4205002090	DECAL, CAUTION TO NOISE	1		

6. Rear cover section

LM281

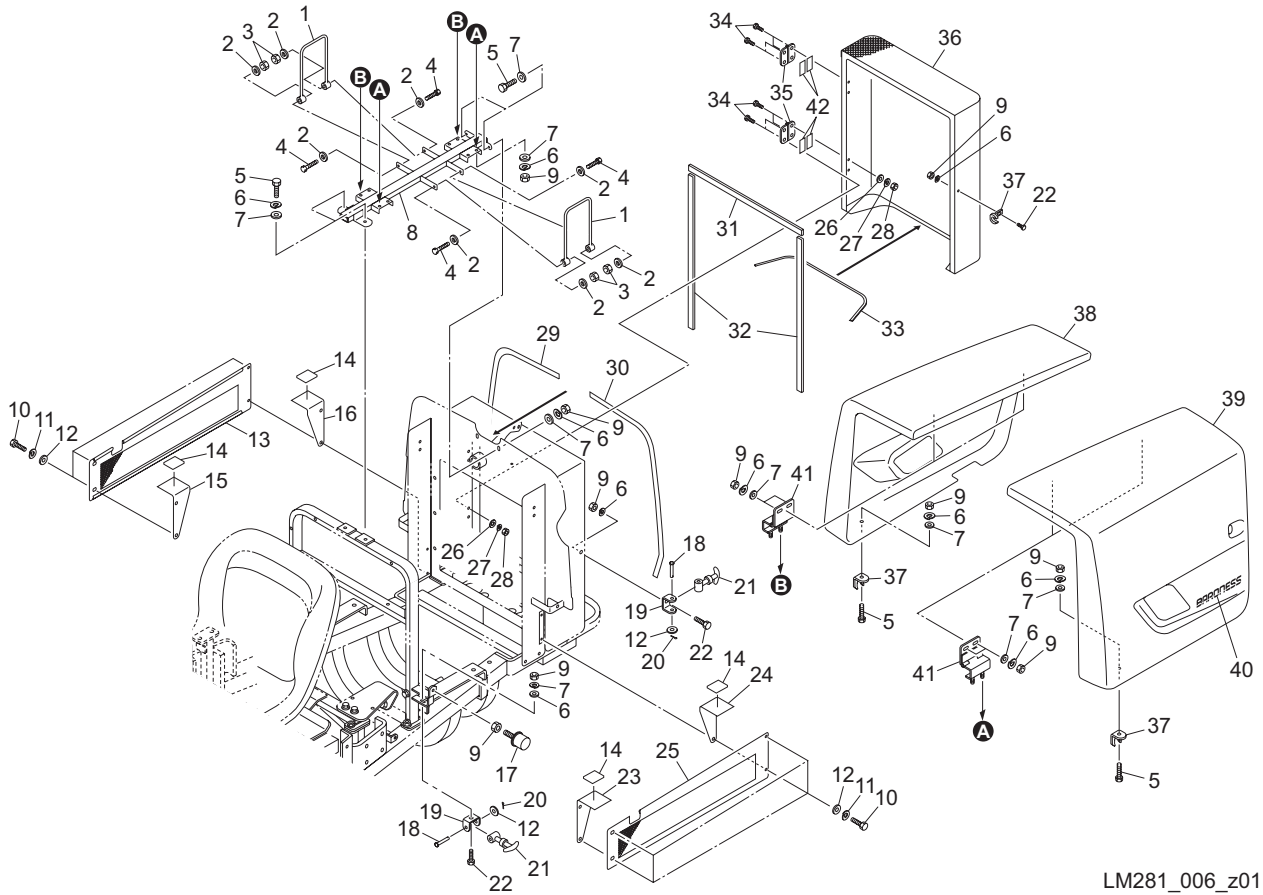


LM281_006_z01

Cat No.	Code No.	Part name	Qty	Remark	SN of application
6-1	GM1500-0932C2	STAY, FOR HOOD	2		
6-2	K5000100002	WASHER, M10	8		
6-3	K0144100002	NUT, W/F-RING M10	4		
6-4	K0000100402	BOLT, M10-40	4		
6-5	K0000080202	BOLT, M8-20	6		
6-6	K0200080002	WASHER, SPRING M8	26		
6-7	K5000080002	WASHER, M8	26		
6-8	LM285--0660ZD	FITTING, HOOD	1		
6-9	K0100080002	NUT, M8	26		
6-10	K0000060152	BOLT, M6-15	8		
6-11	K0200060002	WASHER, SPRING M6	8		
6-12	K5000060002	WASHER, M6	11		
6-13	LM285--0939AD	COVER, SIDE (RH)	1		
6-14	K4033000430	RUBBER, PLATE 1-3045	4		
6-15	LM285--0966ZD	STAY, (R FRONT)	1		
6-16	LM285--0964ZD	STAY, (R REAR)	1		
6-17	K4049030000	RUBBER, STOPPER KI-30	2		
6-18	K6030060352	PIN, FLAT HEAD M6-35	3		
6-19	K5200000102	BRACKET, RUBBER HOOK	3		
6-20	K0300016202	PIN, COTTER M1.6-20	3		
6-21	K1520000090	HOOK, RUBBER SMALL	3		
6-22	K0000080152	BOLT, M8-15	4		
6-23	LM285--0965ZD	STAY, (L FRONT)	1		
6-24	LM285--0963ZD	STAY, (L REAR)	1		
6-25	LM285--0938AD	COVER, SIDE (LH)	1		
6-26	K5000050002	WASHER, M5	8		
6-27	K0200050002	WASHER, SPRING M5	8		
6-28	K0100050002	NUT, M5	8		
6-29	K3198305200	TRIM, SEAL 6100-32C-520	1		
6-30	K3198304400	TRIM, SEAL 6100-32C-440	1		

6. Rear cover section

LM281

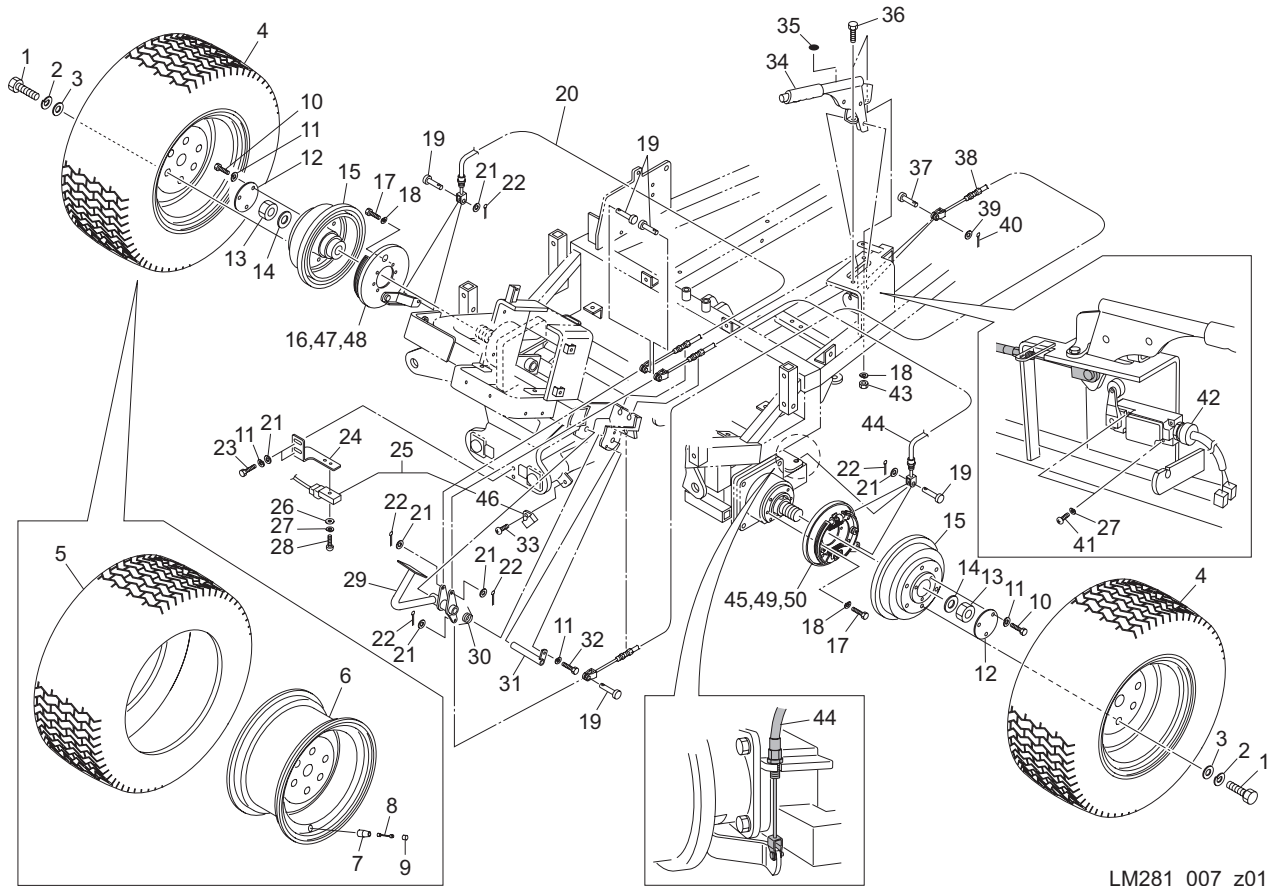


LM281_006_z01

Cat No.	Code No.	Part name	Qty	Remark	SN of application
6-31	K4228000100	SPONGE, RUBBER 5-15-500	1		
6-32	K4228000090	SPONGE, RUBBER 5-15-590	2		
6-33	K3197005700	TRIM, AL 75-16-570	1		
6-34	K0000050122	BOLT, M5-12	8		
6-35	K4520000210	HINGES, RESIN HOLED 5.2-75	2		
6-36	LM285--0940AD	COVER, RADIATOR	1		
6-37	K5270002352	RECEIVER, RUBBER HOOK	3		
6-38	LM285--0905A0	HOOD COMP, (RH)	1		
6-39	LM5000V1366Z0	HOOD, COMP (LH)	1		
6-40	K4201000330	STICKER, BARONESS 240S	2		
6-41	GM2800-0920Z0	HINGE ASSY	4		
6-42	K4228000120	SPONGE, RUBBER 5-15-80	4		

7. Front wheel section

LM281

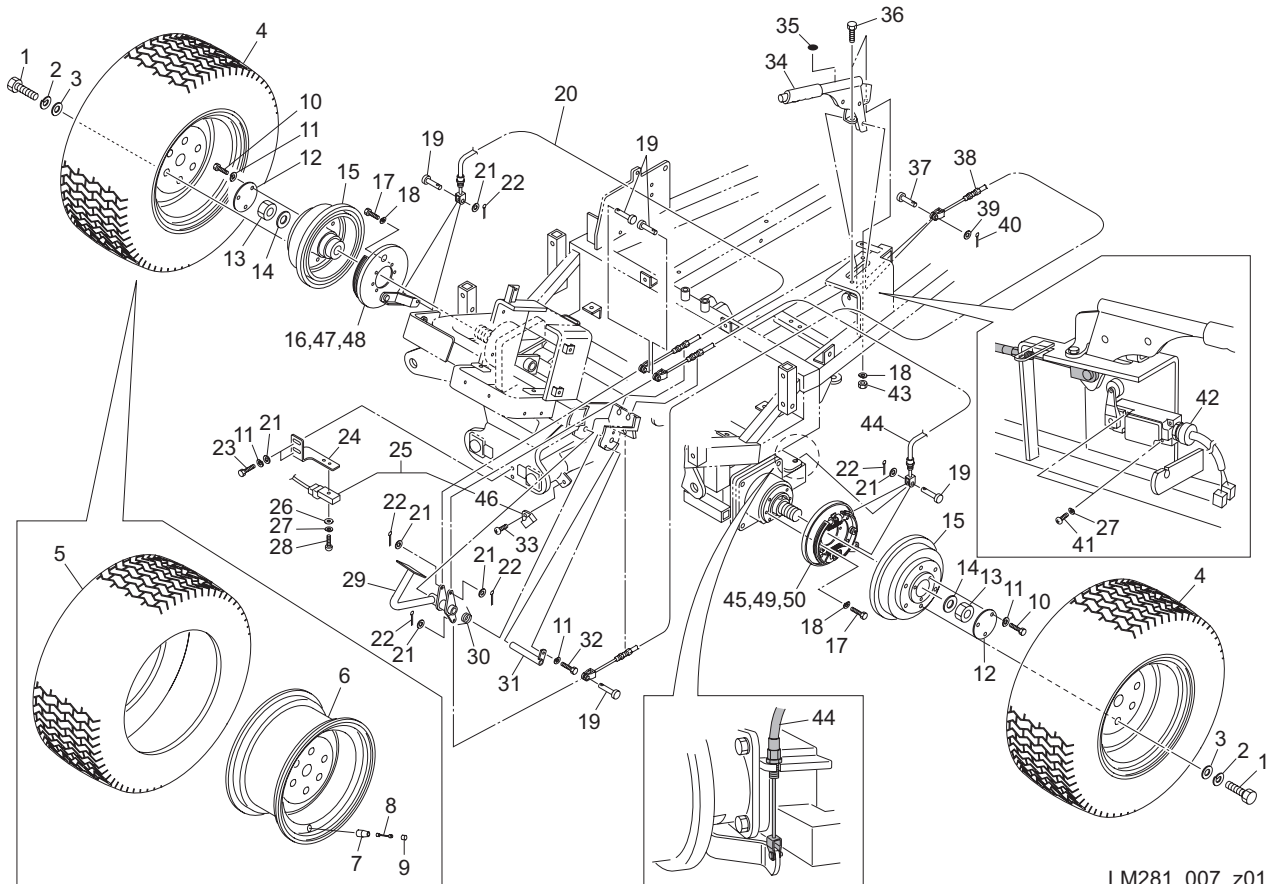


LM281_007_z01

Cat No.	Code No.	Part name	Qty	Remark	SN of application
7-1	K0011120302	BOLT, HT P1.5 M12-30	12		
7-2	K0200120002	WASHER, SPRING M12	12		
7-3	K5074512252	WASHER, SPHC 4.5-12-25	12		
7-4	K2040000600	TIRE ASSY, M40B-23*1050-12	2		
7-5	K2041000360	TIRE, M40B 23*1050-12	2		
7-6	K209000081L	WHEEL, 8.5JA*12WDC	2		
7-7	K2097000010	VALVE, RIM TR413	2		
7-8	K2092000020	CORE, VALVE NO.9000	2		
7-9	K2093000010	CAP, VALVE	2		
7-10	K0000060102	BOLT, M6-10	6		
7-11	K0200060002	WASHER, SPRING M6	9		
7-12	K517000012D	PLATE, SPCC BOLT COVER	2		
7-13	K0160000492	NUT, SPECIAL P1.5 M24	2		
7-14	K0214240001	WASHER, DISK SPRING 2L M24	2		
7-15	K6909000232	MOUNT, WHEEL	2		
7-16	K1720000210	BRAKE ASSY, W/LEVER (RH)	1		
7-17	K0000080152	BOLT, M8-15	8		
7-18	K0200080002	WASHER, SPRING M8	10		
7-19	K6031060172	PIN, FLAT-HEAD HT M6-17	5		
7-20	K1120125000	WIRE, BRAKE 1250	1		
7-21	K5000060002	WASHER, M6	7		
7-22	K0300016202	PIN, COTTER M1.6-20	5		
7-23	K0000060152	BOLT, M6-15	2		
7-24	LM285--0207ZD	PLATE, MOUNTING SENSOR	1		
7-25	K3720000140	SWITCH, PROXIMITY NC V-out	1		
7-26	K5000050002	WASHER, M5	1		
7-27	K0200050002	WASHER, SPRING M5	3		
7-28	K0000050202	BOLT, M5-20	1		
7-29	LM282--0817Z3	PEDAL, BRAKE	1		
7-30	K1050000068	SPRING, TORSION	1		

7. Front wheel section

LM281

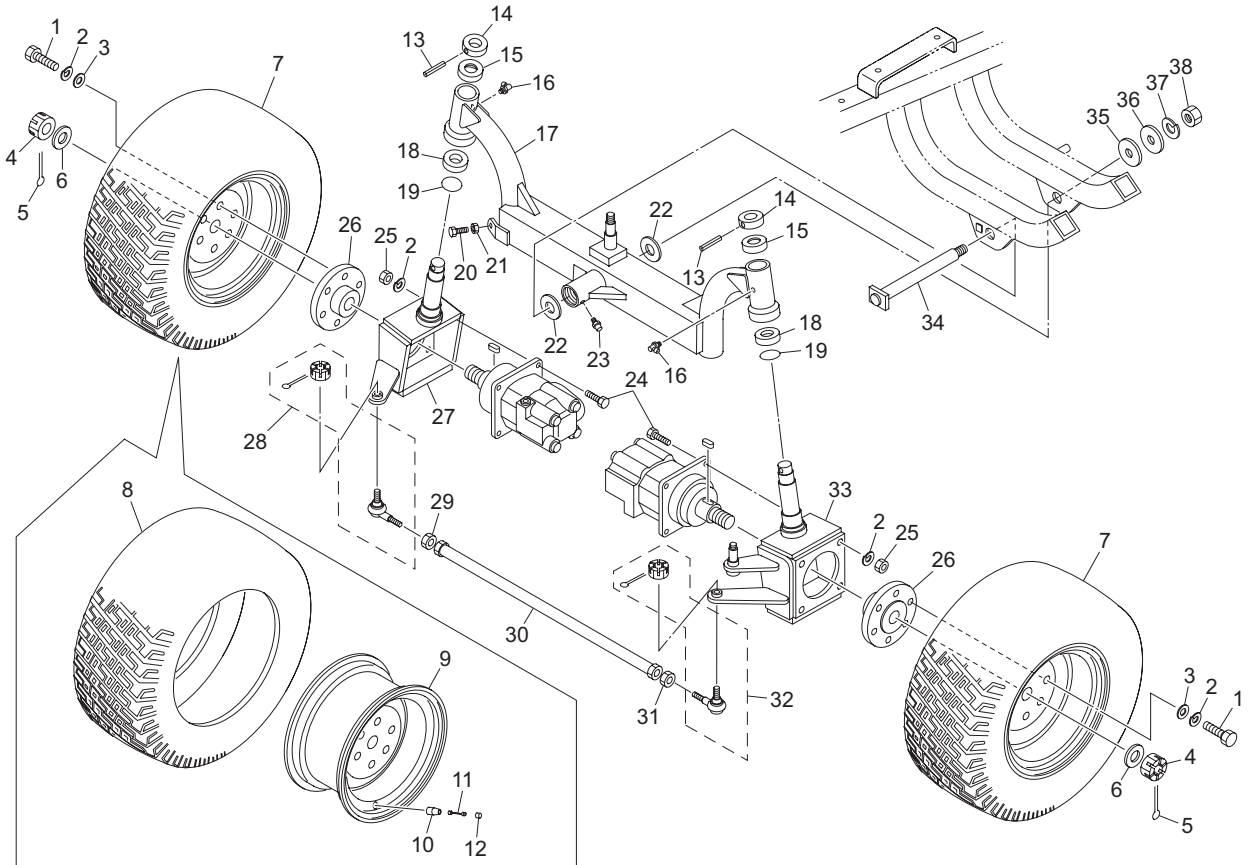


LM281_007_z01

Cat No.	Code No.	Part name	Qty	Remark	SN of application
7-31	LM282--080Z22	SHAFT, PEDAL	1		
7-32	K0000060202	BOLT, M6-20	1		
7-33	K0048050102	SCREW, + ROUND HEAD W/SW M5-10	1		
7-34	K1724000020	LEVER ASSY, SIDE BRAKE	1		
7-35	K4209001200	DECAL, BRAKE	1		
7-36	K0000080202	BOLT, M8-20	2		
7-37	K6030120242	PIN, FLAT HEAD M12-24	1		
7-38	K1120141010	WIRE, BRAKE 1410	1		
7-39	K5000120002	WASHER, M12	1		
7-40	K0300020202	PIN, COTTER M2-20	1		
7-41	K0042050402	SCREW, + ROUND HEAD M5-40	2		
7-42	K3670000120	SWITCH, LIMIT D4A-4717N	1		
7-43	K0100080002	NUT, M8	2		
7-44	K1120107000	WIRE, BRAKE 1070	1		
7-45	K1720000200	BRAKE ASSY, W/LEVER (LH)	1		
7-46	K1510000110	MAGNET, W/PLASTIC BASE	1		
7-47	P741-8005-00	SHOE, BRAKE	1		
7-48	P741-8007-00	SHOE, BRAKE	1		
7-49	P741-8006-01	SHOE, BRAKE	1		
7-50	P741-8008-00	SHOE, BRAKE	1		

8. Rear wheel section

LM281

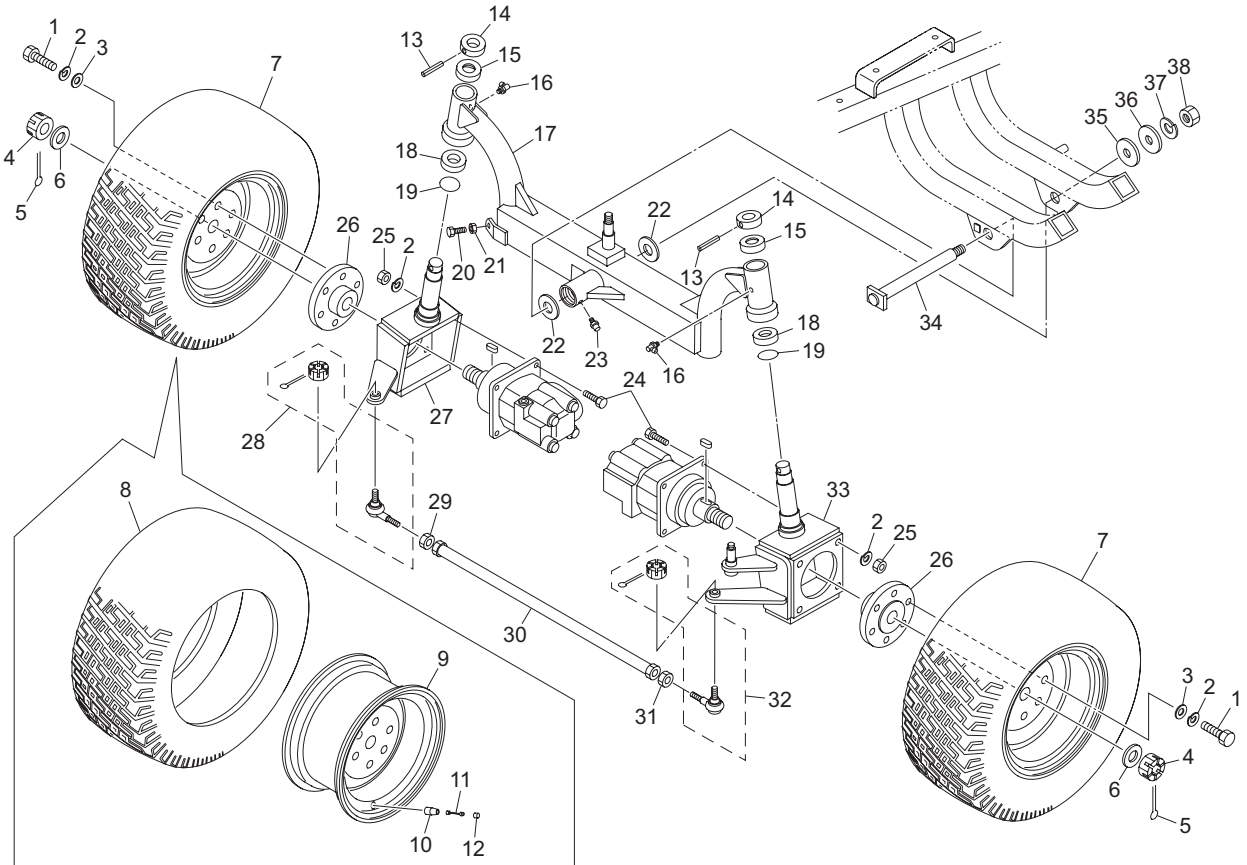


LM281_008_z00

Cat No.	Code No.	Part name	Qty	Remark	SN of application
8-1	K0011120302	BOLT, HT P1.5 M12-30	12		
8-2	K0200120002	WASHER, SPRING M12	20		
8-3	K5074512252	WASHER, SPHC 4.5-12-25	12		
8-4	K0138240002	NUT, HIGH SLOTTED P1.5 M24	2		
8-5	K0300050452	PIN, COTTER M5-45	2		
8-6	K5000240002	WASHER, M24	2		
8-7	K2040000610	TIRE ASSY, M40B-23*850-12	2		
8-8	K2041000370	TIRE, M40B 23*850-12	2		
8-9	K209000054L	WHEEL, 7JA*12WDC	2		
8-10	K2097000010	VALVE, RIM TR413	2		
8-11	K2092000020	CORE, VALVE NO.9000	2		
8-12	K2093000010	CAP, VALVE	2		
8-13	K0320080501	PIN, SPRING M8-50	2		
8-14	K6213000113	COLLAR, W/HOLE M25-50-20	2		
8-15	K6204000383	LID	2		
8-16	K1440000020	GREASE NIPPLE, 90 DEG TYPE C	2		
8-17	LM318--0301DD	PIVOT	1		
8-18	K0640511070	BEARING, BALL THRUST 51107	2		
8-19	K0880048000	O-RING, P48	2		
8-20	K0000100302	BOLT, M10-30	1		
8-21	K0100100002	NUT, M10	1		
8-22	K5051030500	WASHER, C5191P 1-30-50	2		
8-23	K1440000010	GREASE NIPPLE, STRAIGHT TYPE A	1		
8-24	K0000120452	BOLT, M12-45	8		
8-25	K0100120002	NUT, M12	8		
8-26	LM318--0304AD	MOUNT, REAR WHEEL 80	2		
8-27	LM318--0302DD	KING PIN, (RH)	1		
8-28	K1610000020	END ASSY, TIE-ROD MALE (RH)	1		
8-29	K0160000192	NUT, SPECIAL P1.5 M17	1		
8-30	LM318--0305ZD	ROD, TIE	1		

8. Rear wheel section

LM281

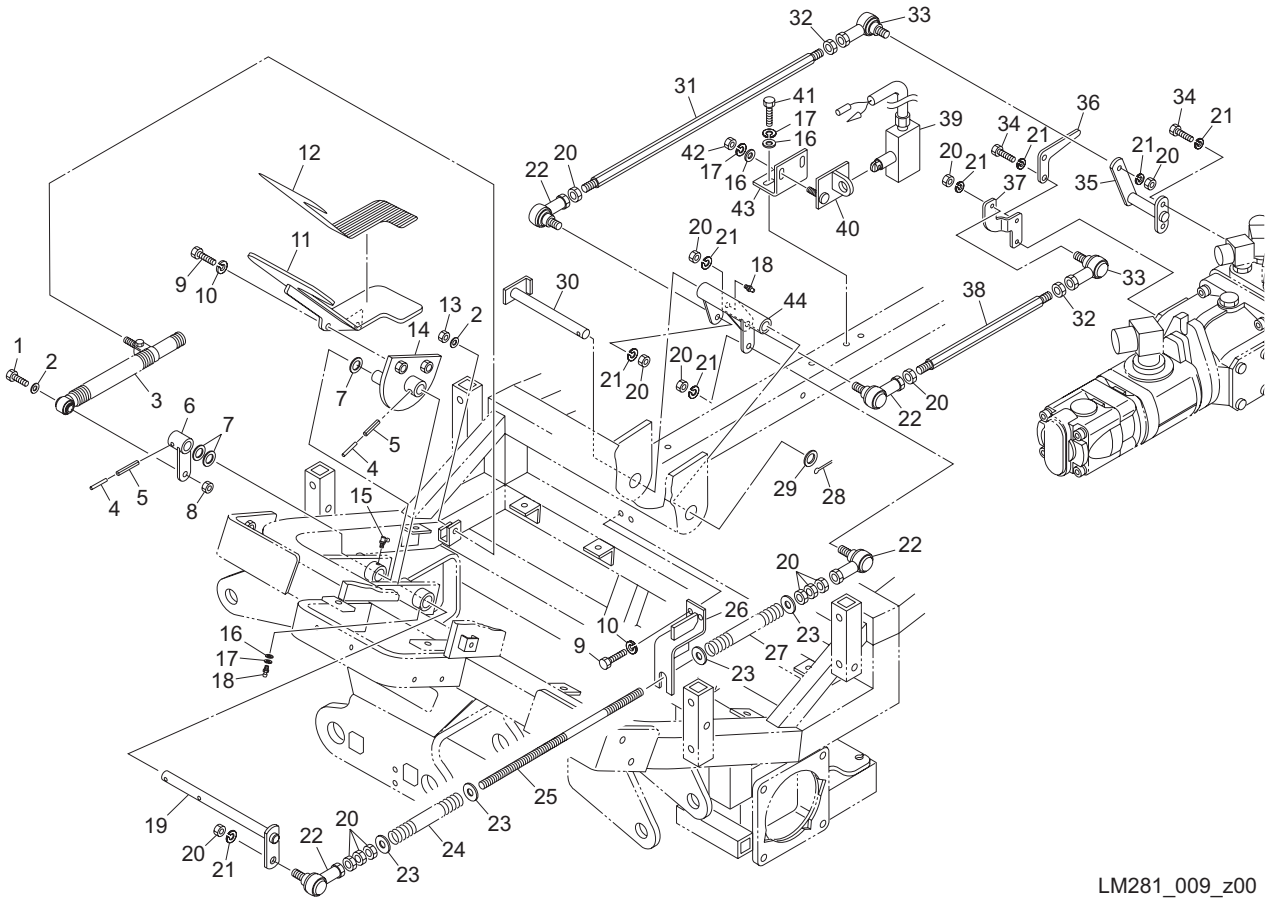


LM281_008_z00

Cat No.	Code No.	Part name	Qty	Remark	SN of application
8-31	K0160000202	NUT, LEFT-HANDED SPECIAL P1.5 M17	1		
8-32	K1611000020	END ASSY, TIE-ROD LEFT-HANDED MALE (LH)	1		
8-33	LM318--0303DD	KING PIN, (LH)	1		
8-34	K7147000198	PIN, FOR PIVOT	1		
8-35	K5051030420	WASHER, C5191P 1-30-42	1		
8-36	K5073216352	WASHER, SPHC 3.2-16-35	1		
8-37	K0200160002	WASHER, SPRING M16	1		
8-38	K0100160002	NUT, M16	1		

9. Pedal section

LM281

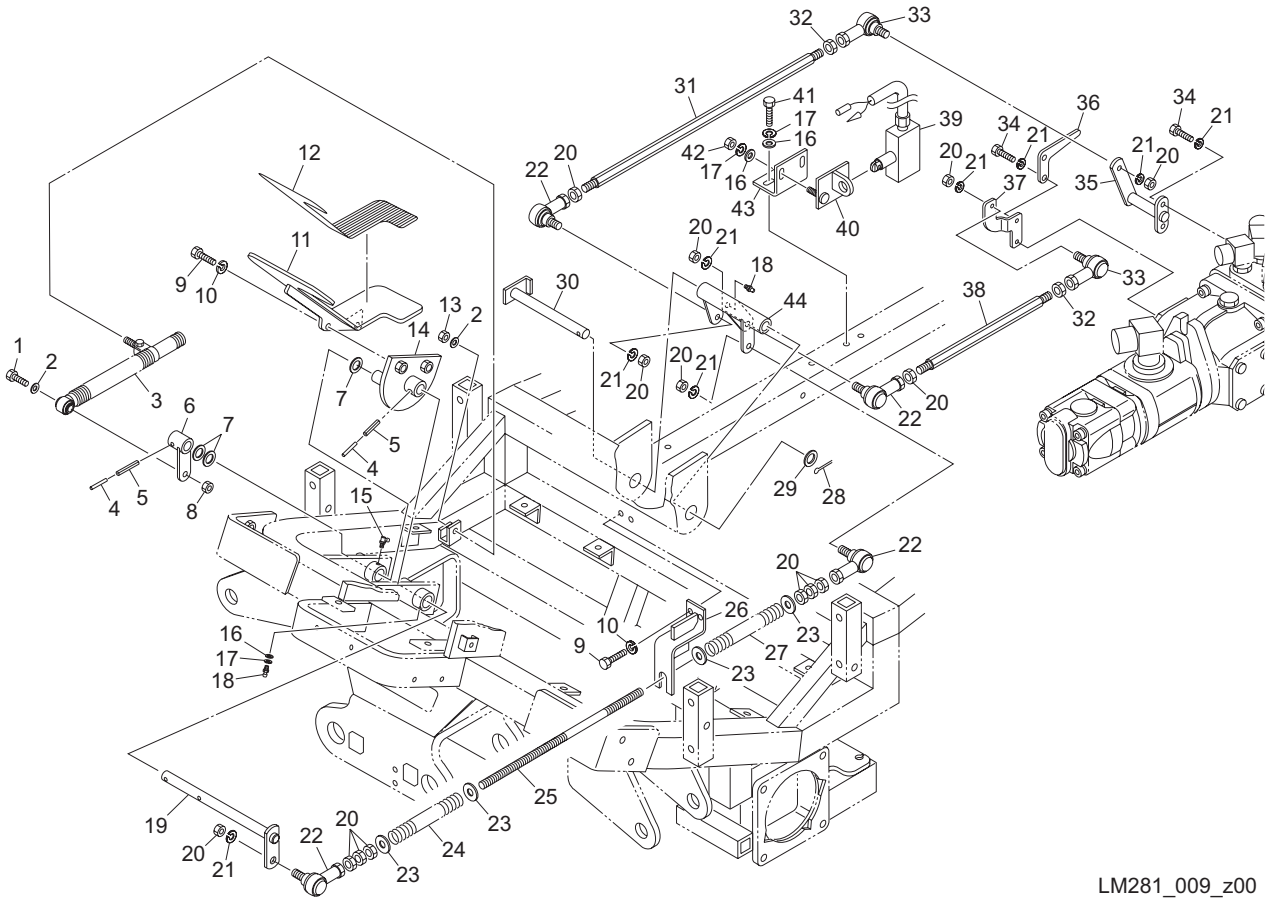


LM281_009_z00

Cat No.	Code No.	Part name	Qty	Remark	SN of application
9-1	K0000080352	BOLT, M8-35	1		
9-2	K5000080002	WASHER, M8	2		
9-3	K3380000010	DAMPER, FOR LEVER	1		
9-4	K0320030251	PIN, SPRING M3-25	2		
9-5	K0320050281	PIN, SPRING M5-28	2		
9-6	LM318--0813B2	LEVER, DAMPER	1		
9-7	K5051016240	WASHER, C5191P 1-16-24	3-4	for adjustment	
9-8	K0100080002	NUT, M8	1		
9-9	K0000080202	BOLT, M8-20	4		
9-10	K0200080002	WASHER, SPRING M8	4		
9-11	LM285--0801ZD	PEDAL	1		
9-12	LM285--0802Z0	RUBBER, FOR PEDAL	1		
9-13	K0144080002	NUT, W/F-RING M8	1		
9-14	LM318--0802ZD	PEDAL, (UNDER)	1		
9-15	K1440000020	GREASE NIPPLE, 90 DEG TYPE C	1		
9-16	K5000060002	WASHER, M6	5		
9-17	K0200060002	WASHER, SPRING M6	5		
9-18	K1440000010	GREASE NIPPLE, STRAIGHT TYPE A	2		
9-19	LM318--0803Z2	SHAFT, PEDAL	1		
9-20	K0100100002	NUT, M10	14		
9-21	K0200100002	WASHER, SPRING M10	10		
9-22	K1604100000	JOINT, SPHERICAL LHSA10DE146	4		
9-23	K5012311242	WASHER, SPCC 2.3-11-24	4		
9-24	LM318--0815Z8	SPRING, COMPRESSION M3-21-105	1		
9-25	K0072000332	SHAFT, GROOVED M10-350	1		
9-26	LM318--0808ZD	BRACKET, NEUTRAL AXIS	1		
9-27	LM318--0816Z8	SPRING, COMPRESSION M3-21-80	1		
9-28	K0300040502	PIN, COTTER M4-50	1		
9-29	K5011016222	WASHER, SPCC 1-16-22	1		
9-30	LM318--0811A2	SHAFT, IDLE LEVER	1		

9. Pedal section

LM281

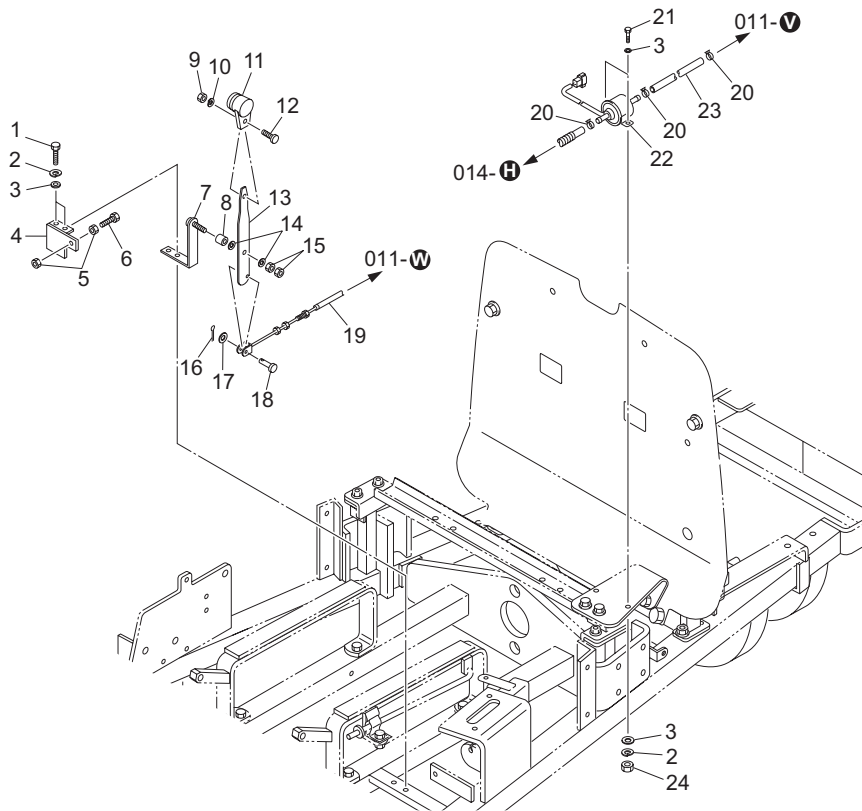


LM281_009_z00

Cat No.	Code No.	Part name	Qty	Remark	SN of application
9-31	LM318--0807Z2	ROD	1		
9-32	K0180100002	NUT, LEFT-HANDED M10	2		
9-33	K16041000L0	JOINT, SPHERICAL LHSA10DLE146	2		
9-34	K0011100252	BOLT, HT P1.25 M10-25	4		
9-35	LM318--0809Z2	LEVER, SHIFT	1		
9-36	LM282--7514A2	LEVER, NEUTRAL	1		
9-37	LM318--0810Z2	LEVER, SHIFT	1		
9-38	LM318--0806Z2	ROD	1		
9-39	K3671000050	SWITCH, LIMIT SLI-A	1		
9-40	LM282--7516ZD	FITTING, MOUNTING SWITCH	1		
9-41	K0000060152	BOLT, M6-15	2		
9-42	K0100060002	NUT, M6	2		
9-43	LM282--7515ZD	BASE, MOUNTING SWITCH	1		
9-44	LM318--0804Z2	LEVER, IDLE	1		

10. Engine section A

LM281

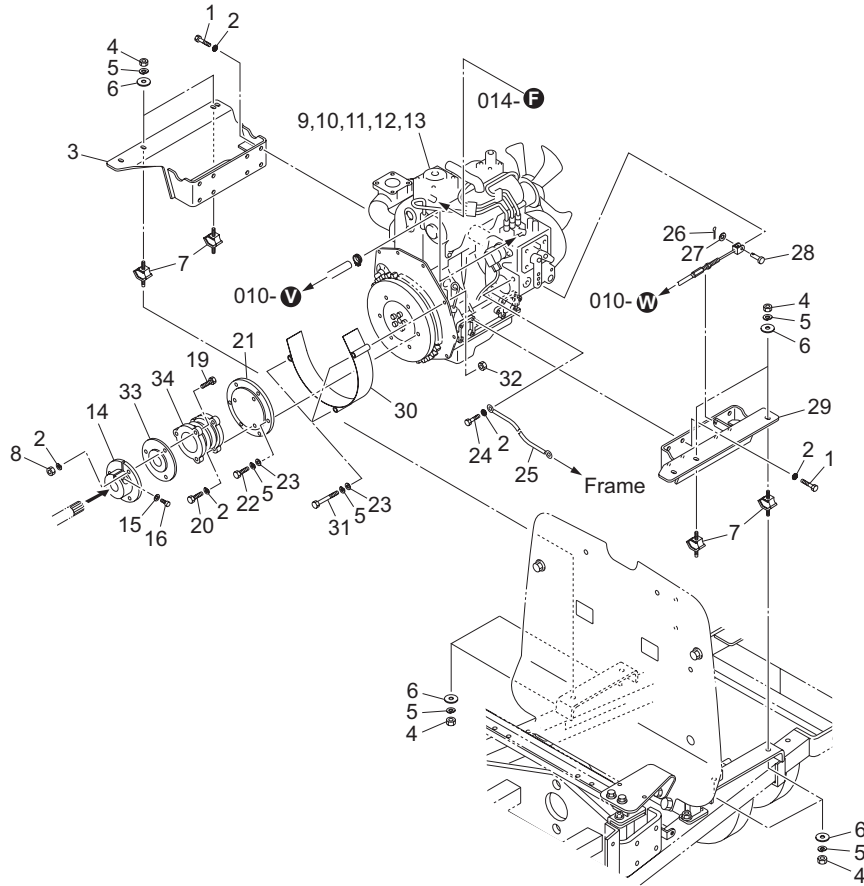


LM281_010_z00

Cat No.	Code No.	Part name	Qty	Remark	SN of application
10-1	K0000060202	BOLT, M6-20	2		
10-2	K0200060002	WASHER, SPRING M6	4		
10-3	K5000060002	WASHER, M6	6		
10-4	LM282--0560Z2	STOPPER	1		
10-5	K0100080002	NUT, M8	2		
10-6	K0000080352	BOLT, M8-35	1		
10-7	LM318--0511Z2	BRACKET, THROTTLE LEVER	1		
10-8	K6212000092	COLLAR, STKM M10-16-10	1		
10-9	K0100050002	NUT, M5	1		
10-10	K0200050002	WASHER, SPRING M5	1		
10-11	K1301000150	GRIP, PLASTIC THROTTLE LEVER	1		
10-12	K0042050082	SCREW, + ROUND HEAD M5-8	1		
10-13	LM318--0510Z2	PLATE, THROTTLE LEVER	1		
10-14	K0210100002	SPRING, CONICAL DISC L M10	2		
10-15	K0100100002	NUT, M10	2		
10-16	K0300016202	PIN, COTTER M1.6-20	1		
10-17	K5000050002	WASHER, M5	1		
10-18	K6030050122	PIN, FLAT HEAD M5-12	1		
10-19	K1110101010	WIRE, THROTTLE 1010	1		
10-20	PF14911-4275-0	CLIP, PIPE	3		
10-21	K0000060152	BOLT, M6-15	2		
10-22	PF1G377-5203-0	PUMP ASSY, FUEL	1		
10-23	PF09661-8250-0	TUBE, FUEL	1		
10-24	K0100060002	NUT, M6	2		

11. Engine section B

LM281

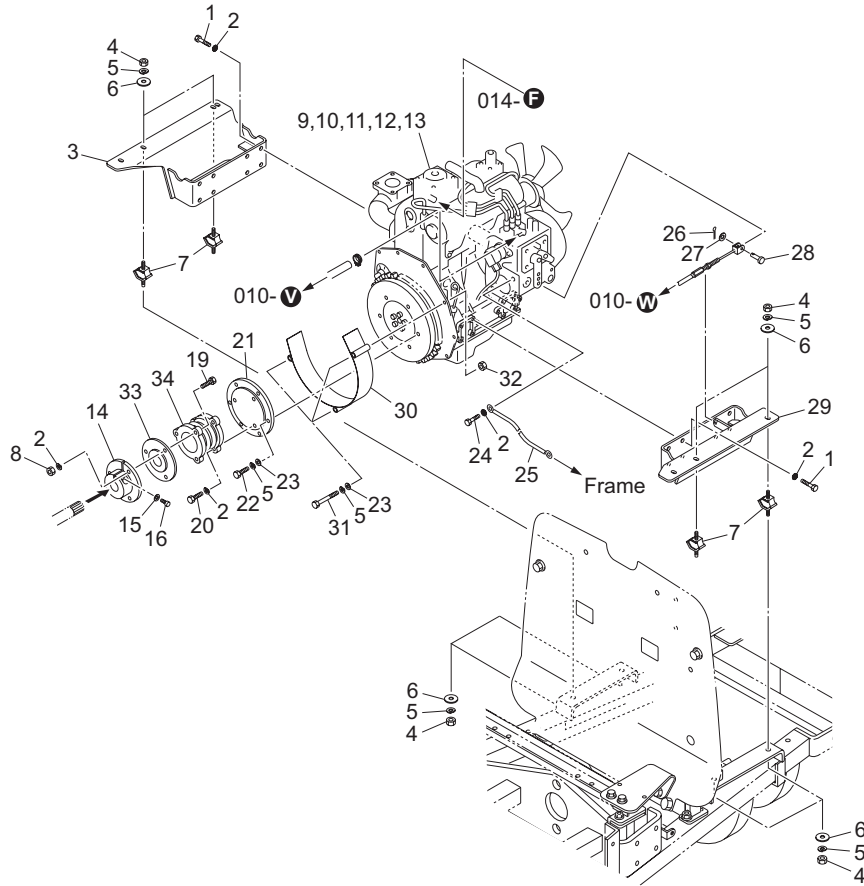


LM281_011_z01

Cat No.	Code No.	Part name	Qty	Remark	SN of application
11-1	K0017100252	BOLT, SMALL HT P1.25 M10-25	16		
11-2	K0200100002	WASHER, SPRING M10	23		
11-3	LM2400-0502AD	BASE, ENGINE (RH)	1		
11-4	K0100080002	NUT, M8	8		
11-5	K0200080002	WASHER, SPRING M8	14		
11-6	K5073208202	WASHER, SPHC 3.2-8-20	8		
11-7	K4040000150	RUBBER, VIBRATION PROOF EC4001	4		
11-8	K0100100002	NUT, M10	3		
11a-9	K2691000390	ENGINE, KUBOTA D1105-E4BLMKY-1	1		
11-10	PF16271-3209-3	OIL ELEMENT	1		
11-11	PF16241-9701-3	BELT, FAN (37 COG)	1		
11-12	PF13901-3375-0	PLUG, DRAIN BOLT	1		
11-13	PF6C090-5896-0	GASKET, DRAIN OILPAN	1		
11-14	LM282--0541Z2	DISK, DRIVING PUMP SIDE	1		
11-15	K0215100002	WASHER, DISK SPRING 2H M10	1		
11-16	K001A100351	BOLT, 13T W/HEX HOLE M10-35	1		
11-17					
11-18					
11-19	K0010100352	BOLT, HT M10-35	3		
11-20	K0010100202	BOLT, HT M10-20	3		
11-21	LM282--0542A2	BRACKET, JOINT	1		
11-22	K0010080202	BOLT, HT M8-20	6		
11-23	K5000080002	WASHER, M8	6		
11-24	K0001100202	BOLT, P1.25 M10-20	1		
11-25	K3611000430	WIRE, TO EARTH 500	1		
11-26	K0300016202	PIN, COTTER M1.6-20	1		
11-27	K5000050002	WASHER, M5	1		
11-28	K6030050122	PIN, FLAT HEAD M5-12	1		
11-29	LM2400-0501AD	BASE, ENGINE (LH)	1		
11-30	GM1700-0508ZD	COVER, FLYWHEEL (LOWER)	1		

11. Engine section B

LM281

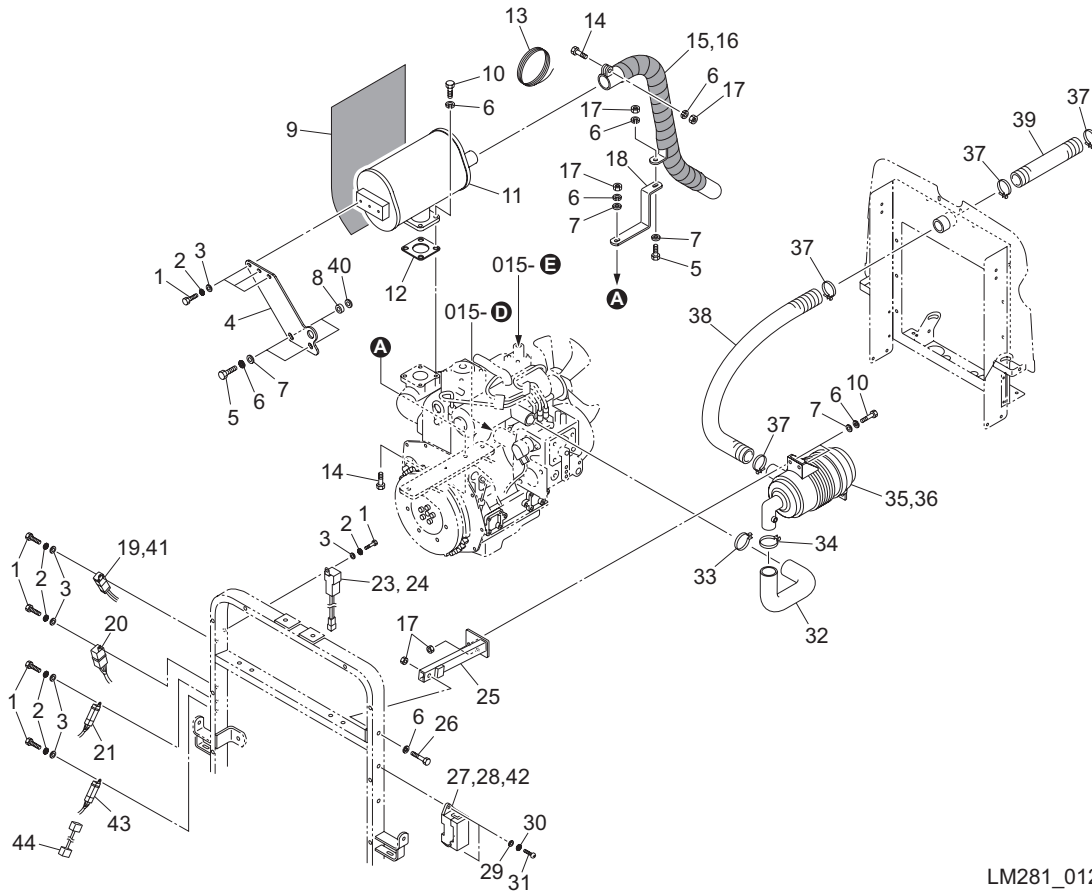


LM281_011_z01

Cat No.	Code No.	Part name	Qty	Remark	SN of application
11-31	K0003080752	BOLT, M8-75	3		
11-32	K0100080002	NUT, M8	1		
11-33	K6204000842	SPACER, 118-70	1		
11-34	K1620000320	JOINT, BJ75ACC976	1		

12. Engine section C

LM281

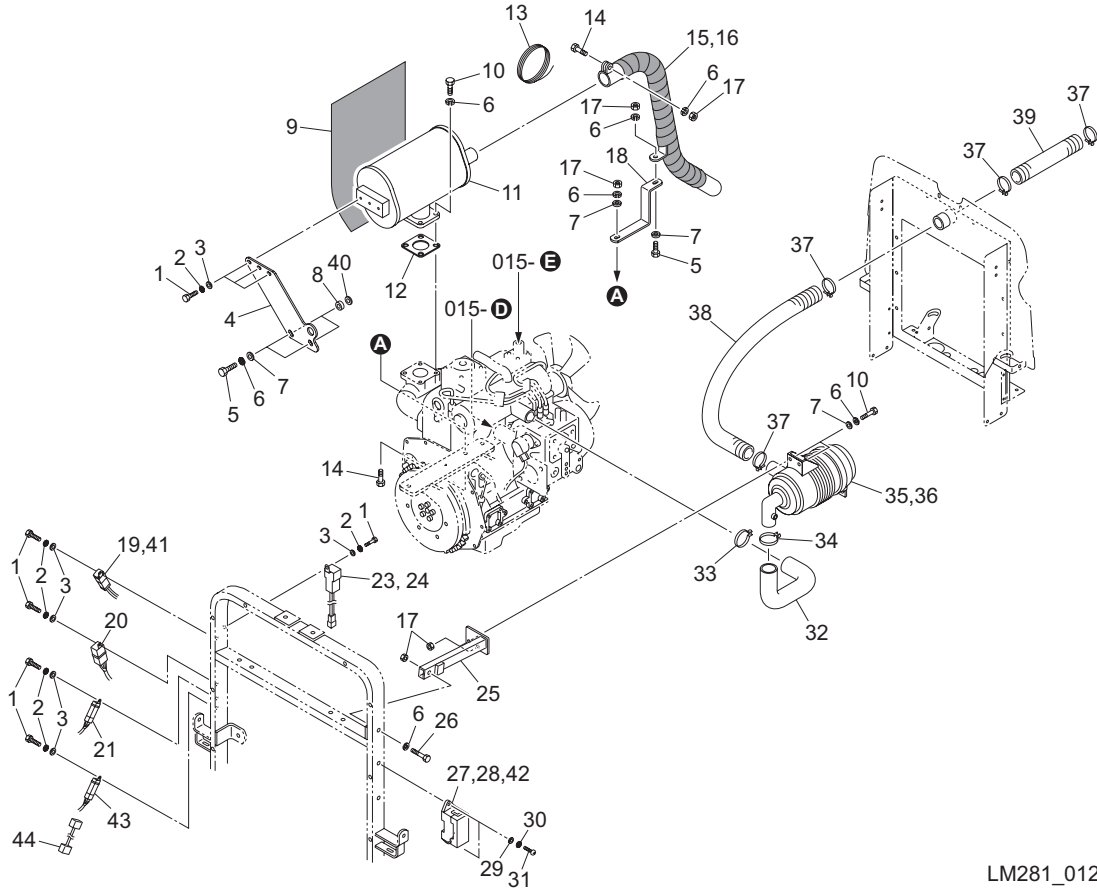


LM281_012_z01

Cat No.	Code No.	Part name	Qty	Remark	SN of application
12-1	K0000060152	BOLT, M6-15	8		
12-2	K0200060002	WASHER, SPRING M6	8		
12-3	K5000060002	WASHER, M6	8		
12-4	GM1600-0566ZU	PLATE, SUPPORT	1		
12-5	K0000080252	BOLT, M8-25	2		
12-6	K0200080002	WASHER, SPRING M8	12		
12-7	K5000080002	WASHER, M8	6		
12-8	K6212003862	COLLAR, STKM M8.5-17-7	2		
12-9	K4230000160	PANEL, INSULATING 1.6-230-420	1		
12-10	K0000080202	BOLT, M8-20	6		
12-11	PF1G324-1211-0	MUFFLER	1		
12-12	PF15263-1237-0	PACKING, MUFFLER NA	1		
12-13	K4980015000	WIRE, SUS 1.2-1500	1		
12-14	K0000080302	BOLT, M8-30	2		
12-15	GM1600-0561ZU	PIPE, MUFFLER	1		
12-16	K4230000040	PLATE, GLASS-FABRICS 1.6-30-1000	2		
12-17	K0100080002	NUT, M8	6		
12-18	LM281--0502ZD	STAY, MUFFLER PIPE	1		
12-19	K3630000160	FUSE BLOCK, FUSIBLE LINK 30A	1		
12-20	K3681000070	RELAY, MR5A411A1K	1		
12-21	K3681000060	RELAY, CALAF-12V-N-5	1		
12-22					
12-23	K3630000130	FUSE BLOCK, FUSIBLE LINK 50A	1		
12-24	K3631000170	FUSE, PLUG-IN 50A	1		
12-25	LM281--0611ZD	STAY, AIR CLEANER	1		
12-26	K0000080502	BOLT, M8-50	1		
12-27	K3630000170	FUSE BLOCK, MINI 10P-C	1		
12-28	K3631000070	FUSE, MINI BLADE 5A	1		
12-29	K5000050002	WASHER, M5	2		
12-30	K0200050002	WASHER, SPRING M5	2		

12. Engine section C

LM281

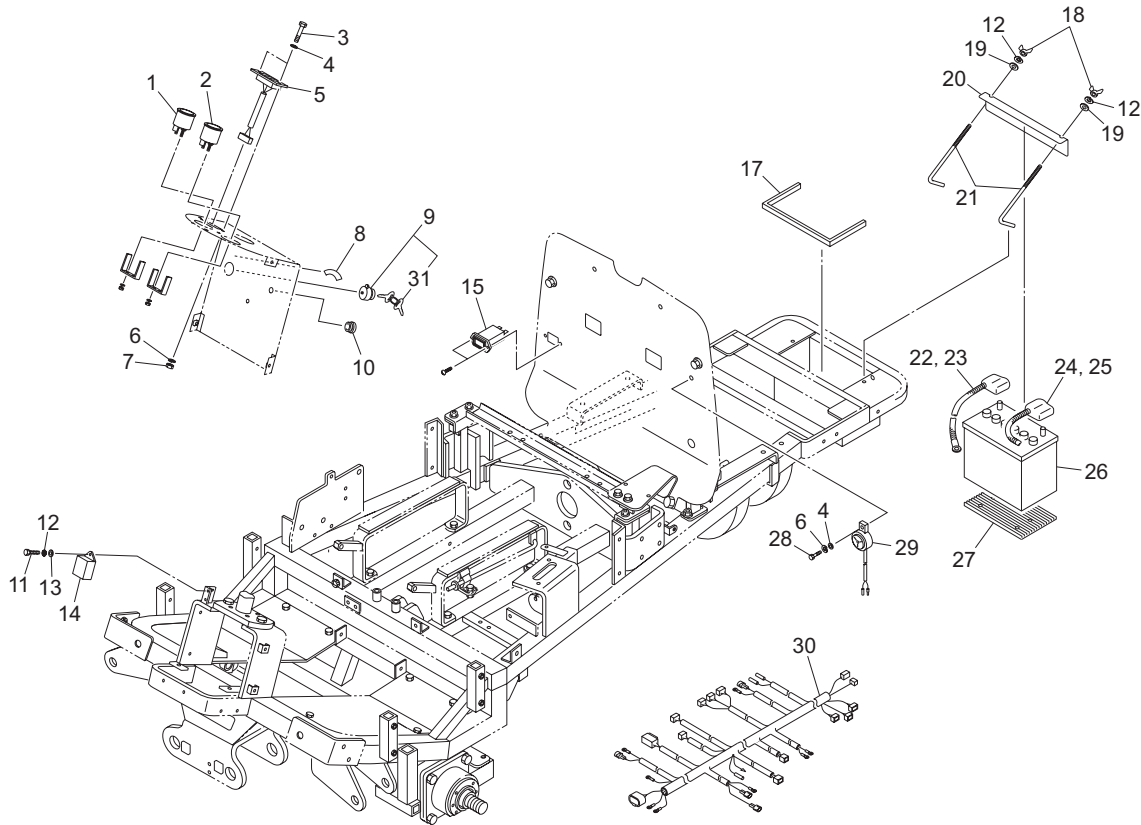


LM281_012_z01

Cat No.	Code No.	Part name	Qty	Remark	SN of application
12-31	K0042050152	SCREW, + ROUND HEAD M5-15	2		
12-32	GM1600-0524Z0	PIPE, AIR CLEANER	1		
12-33	PF15401-1172-0	BAND, PIPE	1		
12-34	PF15221-1172-0	BAND, PIPE	1		
12-35	PF17407-1101-0	AIR CLEANER ASSY	1		
12-36	PFT1270-1632-2	FILTER COMP, AIR CLEANER	1		
12-37	K4262057000	CLAMP, LS BAND 57	4		
12-38	K3170006200	HOSE, 50 BANNER A 620	1		
12-39	K3170002500	HOSE, 50 BANNER A 250	1		
12-40	K5000080002	WASHER, M8	0-4	for adjustment	
12-41	K3631000190	FUSE, PLUG-IN 30A	1		
12-42	K3631000110	FUSE, MINI BLADE 15A	1		
12-43	PF5H276-4125-0	RELAY COMP	1		
12-44	K3620001040	CONNECTOR	1		

13. Engine section D

LM281

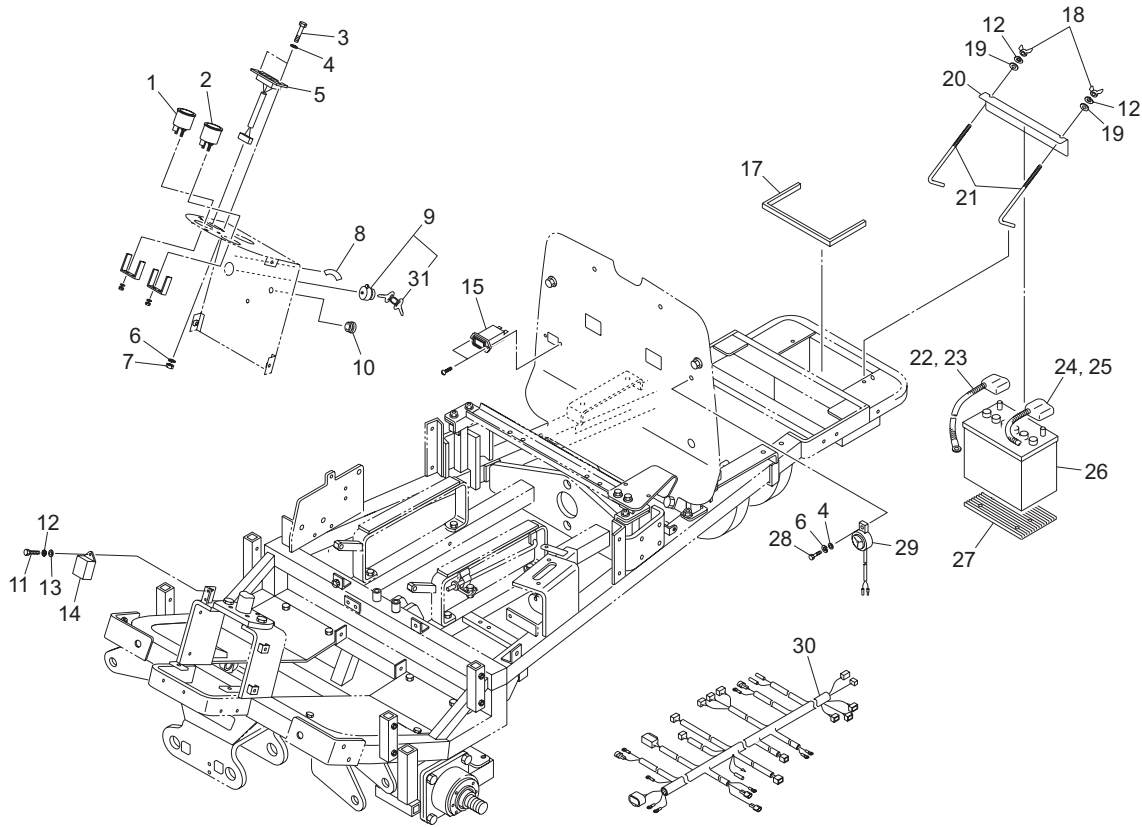


LM281_013_z02

Cat No.	Code No.	Part name	Qty	Remark	SN of application
13-1	K3653000010	GAUGE, FUEL 52BG2	1		
13-2	PFR1401-5317-0	GAUGE, WATER TEMPERATURE	1		
13-3	K0042050122	SCREW, + ROUND HEAD M5-12	2		
13-4	K5000050002	WASHER, M5	3		
13-5	K3641000040	LAMP, PILOT	1		
13-6	K0200050002	WASHER, SPRING M5	3		
13-7	K0100050002	NUT, M5	2		
13-8	K4209001190	DECAL, KEY SWITCH	1		
13-9	PF15248-6359-0	SWITCH ASSY, STARTER	1		
13-10	K0900300120	GROMMET, W/SEALING C30SG12A	1		
13-11	K0000060102	BOLT, M6-10	1		
13-12	K0200060002	WASHER, SPRING M6	3		
13-13	K5000060002	WASHER, M6	1		
13-14	PF15694-6599-0	TIMER, GLOW LAMP	1		
13-15	K3650000040	HOUR METER, MINI	1		
13-16					
13-17	GM1600-0519Z0	SPONGE, RUBBER 8-610	1		
13-18	K0141060002	NUT, WING M6-3	2		
13-19	K5012306162	WASHER, SPCC 2.3-6-16	2		
13-20	LM285--0911Z2	CLAMPER, BATTERY	1		
13-21	K6171000312	ROD, W/M6	2		
13-22	K3610000230	WIRE, BATTERY (+) 1250	1		
13-23	K3195012000	TUBE, CORRUGATED 15-1200	1		
13-24	K3611000420	WIRE, TO EARTH 1000	1		
13-25	K3195009500	TUBE, CORRUGATED 15-950	1		
13-26	K3600000160	BATTERY, FX75D23L	1		
13-27	K4035000020	RUBBER, VIBRATION PROOF FOR BATTERY 256	1		
13-28	K0000050252	BOLT, M5-25	1		
13-29	K3700000010	BUZZER, EBM-12 TYPE	1		
13-30	LM281--0504Z0	HARNESS	1		

13. Engine section D

LM281

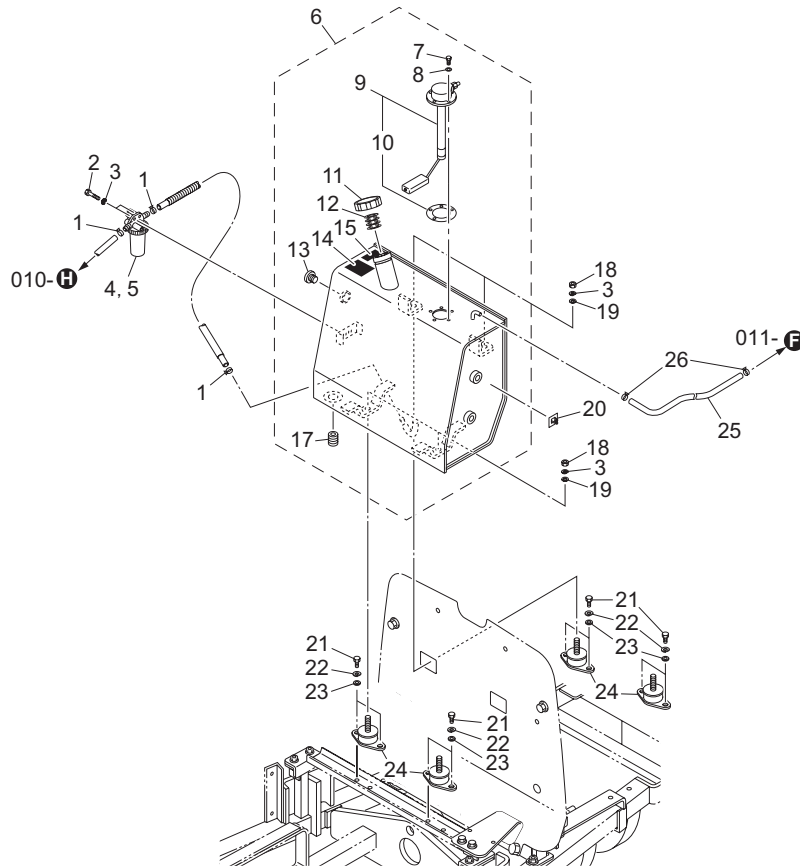


LM281_013_z02

Cat No.	Code No.	Part name	Qty	Remark	SN of application
13-31	PF15248-6370-0	KEY, STARTER	1		

14. Fuel tank section

LM281

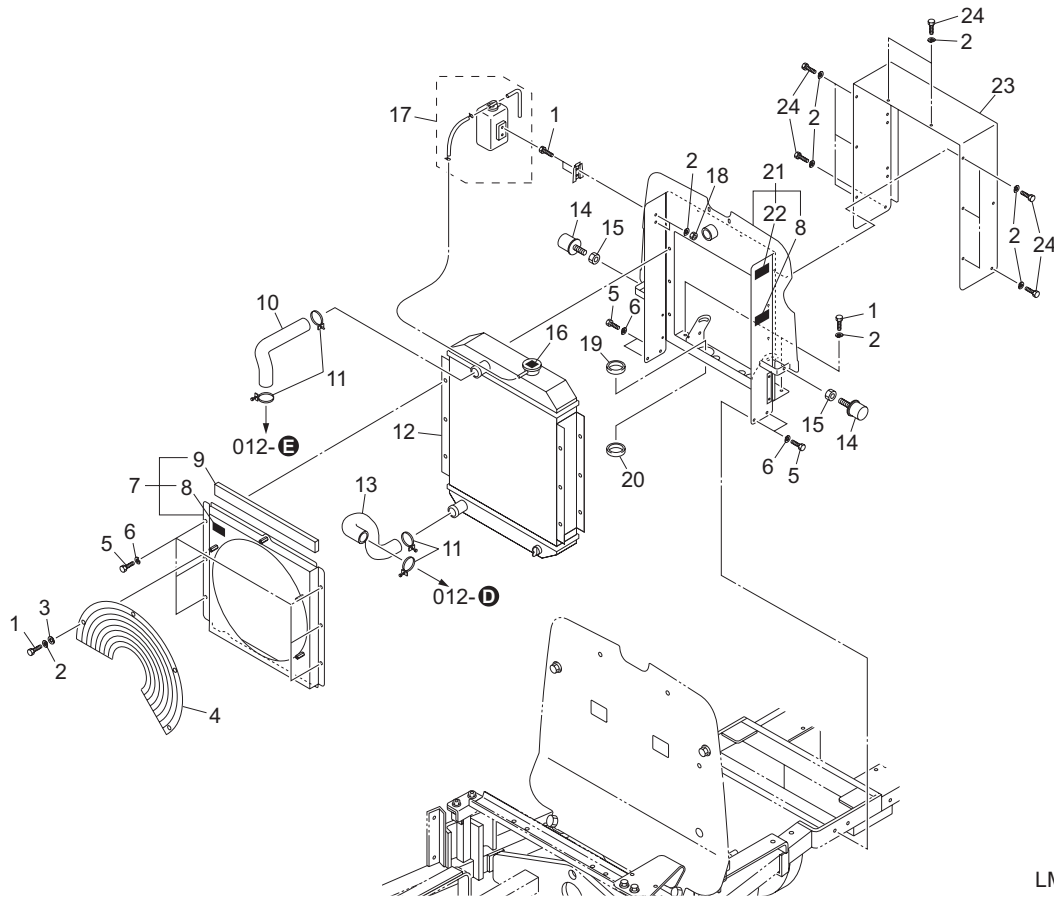


LM281_014_z01

Cat No.	Code No.	Part name	Qty	Remark	SN of application
14-1	PF14911-4275-0	CLIP, PIPE	3		
14-2	K0000080602	BOLT, M8-60	1		
14-3	K0200080002	WASHER, SPRING M8	6		
14-4	PF1G313-4301-0	FILTER ASSY, FUEL	1		
14-5	PF1G313-4356-0	ELEMENT ASSY, FUEL	1		
14-6	LM285--0509Z0	TANK COMP, FUEL	1		
14-7	K0000050152	BOLT, M5-15	5		
14-8	K0922050000	SEAL, WASHER 5WF	5		
14-9	K2721000100	GAUGE, FLOATING 225 X 175	1		
14-10	K2721000020	PACKING, OIL-SHEET	1		
14-11	K1410000120	PLUG, FUEL TANK	1		
14-12	K3420000080	STRAINER, FUEL	1		
14-13	K1400000044-Y	GAUGE, OIL PF3/4 TYPE M	1		
14-14	K4209001000	DECAL, DIESEL FUEL REFUELING HOLE	1		
14-15	K4205001940	DECAL, CAUTION FIRE	1		
14-16					
14-17	K1422106001-Y	PLUG, TAPERED W/HEX HOLE T1 3/8	1		
14-18	K0100080002	NUT, M8	4		
14-19	K5000080002	WASHER, M8	4		
14-20	K4251000020	LATCH, WIRE S20	1		
14-21	K0000060102	BOLT, M6-10	8		
14-22	K0200060002	WASHER, SPRING M6	8		
14-23	K5000060002	WASHER, M6	8		
14-24	K4042000040	RUBBER, VIBRATION PROOF KB-30	4		
14-25	PF09661-4210-0	TUBE, FUEL	1		
14-26	PF14971-4275-0	CLIP, PIPE	2		

15. Radiator section

LM281

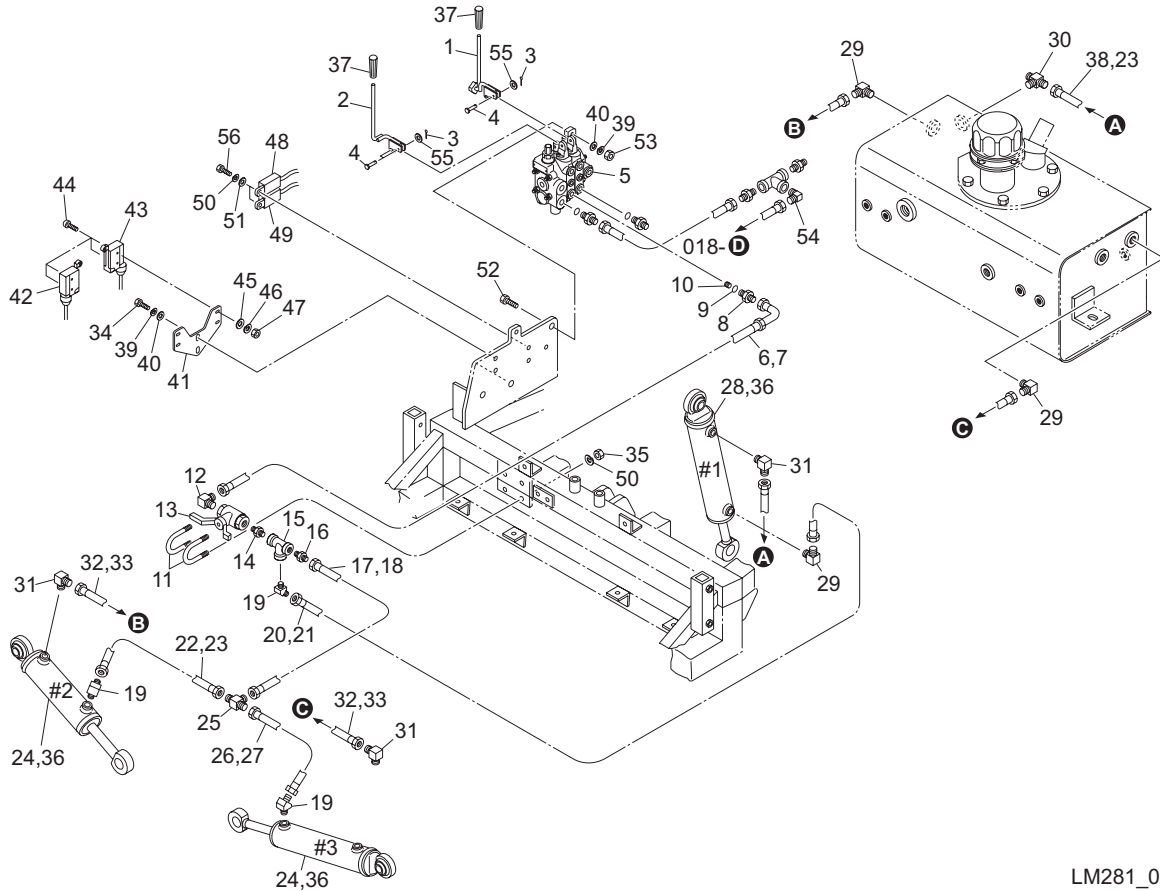


LM281_015_z00

Cat No.	Code No.	Part name	Qty	Remark	SN of application
15-1	K0000060152	BOLT, M6-15	8		
15-2	K0200060002	WASHER, SPRING M6	18		
15-3	K5000060002	WASHER, M6	4		
15-4	PF1G690-7412-0	COVER, FAN	1		
15-5	K0000080152	BOLT, M8-15	10		
15-6	K0200080002	WASHER, SPRING M8	10		
15-7	LM285--0560Z0	SHROUD, W/ DECAL	1		
15-8	K4205001530	DECAL, CAUTION TO ROTATING OBJECT	2		
15-9	LM282--0522Z0	SPONGE, URETHANE	2		
15-10	PF16292-7294-0	PIPE, WATER 4	1		
15-11	PF09318-8903-9	CLAMP, FOR HOSE	4		
15-12	K2730000040	RADIATOR	1		
15-13	PF1G345-7285-0	HOSE, (1, WATER)	1		
15-14	K4049030000	RUBBER, STOPPER KI-30	2		
15-15	K0100080002	NUT, M8	2		
15-16	K4205001970	DECAL, CAUTION SPOUTING COOLANT	1		
15-17	PFRC411-4268-0	TANK ASSY, RESERVE	1		
15-18	K0100060002	NUT, M6	2		
15-19	K0900300660	GROMMET, W/SEALING C30SG30A	2		
15-20	K0900300300	GROMMET, W/SEALING C30SG30A	2		
15-21	LM285--0561B0	MOUNT, RADIATOR W/ DECAL	1		
15-22	K4205001540	DECAL, CAUTION TO HOT PARTS	1		
15-23	LM285--0941BD	BOX	1		
15-24	K0000060102	BOLT, M6-10	10		

16. Hydraulic section A (Cylinder system)

LM281

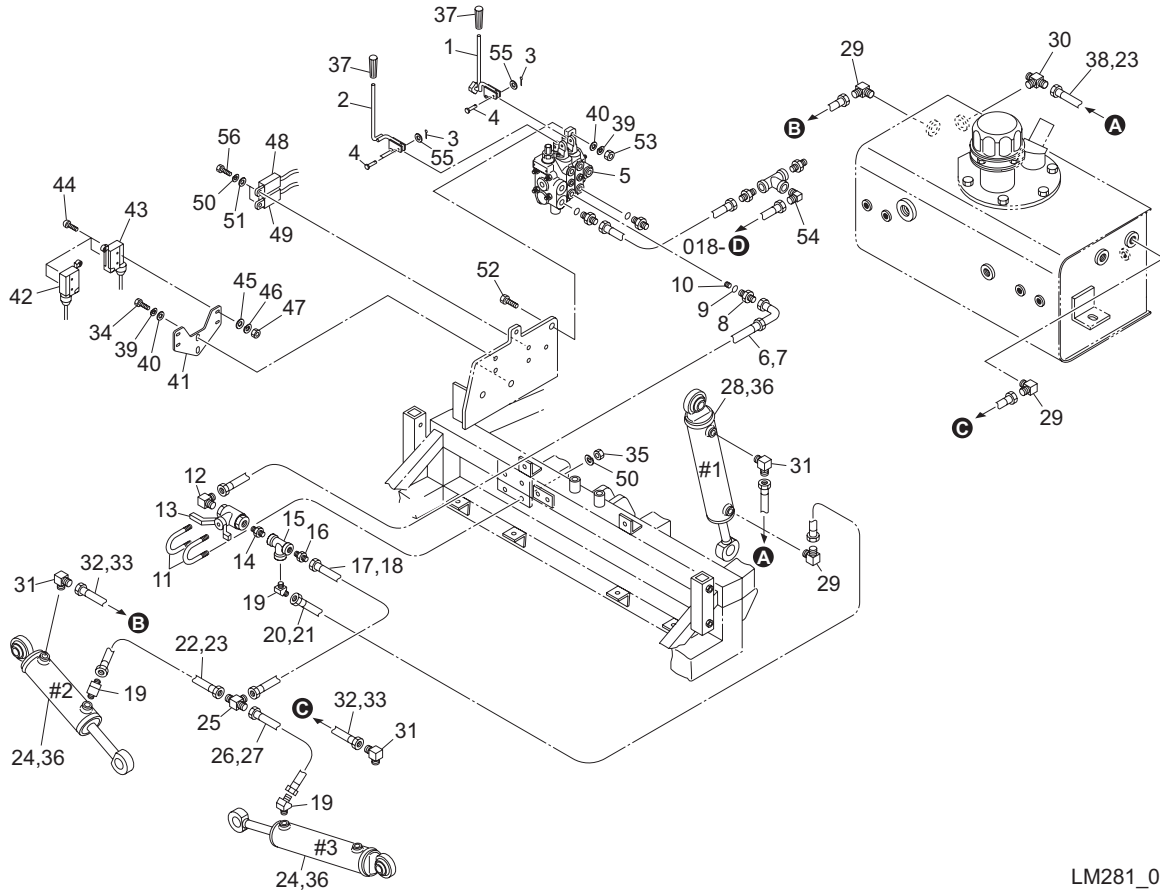


LM281_016_z01

Cat No.	Code No.	Part name	Qty	Remark	SN of application
16-1	LM283--0701Z2	LEVER, REEL ROTATION	1		
16-2	LM283--0702Z2	LEVER, LIFTING MOWER	1		
16-3	K0300016122	PIN, COTTER M1.6-12	4		
16-4	K6030050202	PIN, FLAT HEAD M5-20	4		
16-5	K3302000010	VALVE, TWIN MULTI TR413	1		
16-6	K3103230450	HOSE, WP140-6-3-450	1		
16-7	K3190003500	TUBE, SPIRAL SP-12 350	1		
16-8	K3029000152-Y	CONNECTOR, W/O-RING PF3/8*PF1/4	1		
16-9	K0881014000	O-RING, P14B	1		
16-10	K0023000031-Y	PLUG, TAPERED W/HEX. HOLE T1 1/8-1	1		
16-11	K0073000022	BOLT, W/F-RING, M6-40	2		
16-12	K3006000012-Y	ELBOW, ODD SIZED PT3/8*PF1/4	1		
16-13	K3360000010	VALVE, STOP 397819	1		
16-14	K3029000211-Y	NIPPLE, ODD SIZED PT3/8*PT1/4	1		
16-15	K3021040002-Y	TEE, TEF PT1/4	1		
16-16	K3000060002-Y	ADAPTER, 1013-6	1		
16-17	K3145000160	HOSE, SSC140-570	1		
16-18	K3190004700	TUBE, SPIRAL SP-12 470	1		
16-19	K3003060002-Y	ELBOW, 45 DEG 1035-6	3		
16-20	K3145000150	HOSE, IB140-460	1		
16-21	K3190003600	TUBE, SPIRAL SP-12 360	1		
16-22	K3145000180	HOSE, IB140-400	1		
16-23	K3190003000	TUBE, SPIRAL SP-12 300	2		
16-24	K3205000030	CYLINDER, 40-110 307	2		
16-25	K3008000092-Y	ADAPTER, TEE FOR HOSE PF1/4	1		
16-26	K3145000170	HOSE, IB140-320	1		
16-27	K3190002200	TUBE, SPIRAL SP-12 220	1		
16-28	K3205000020	CYLINDER, 40-70 252	1		
16-29	K3001060002-Y	ELBOW, 90 DEG 1033-6	3		
16-30	K3029000352-Y	TEE, PT1/4*PF1/4	1		

16. Hydraulic section A (Cylinder system)

LM281

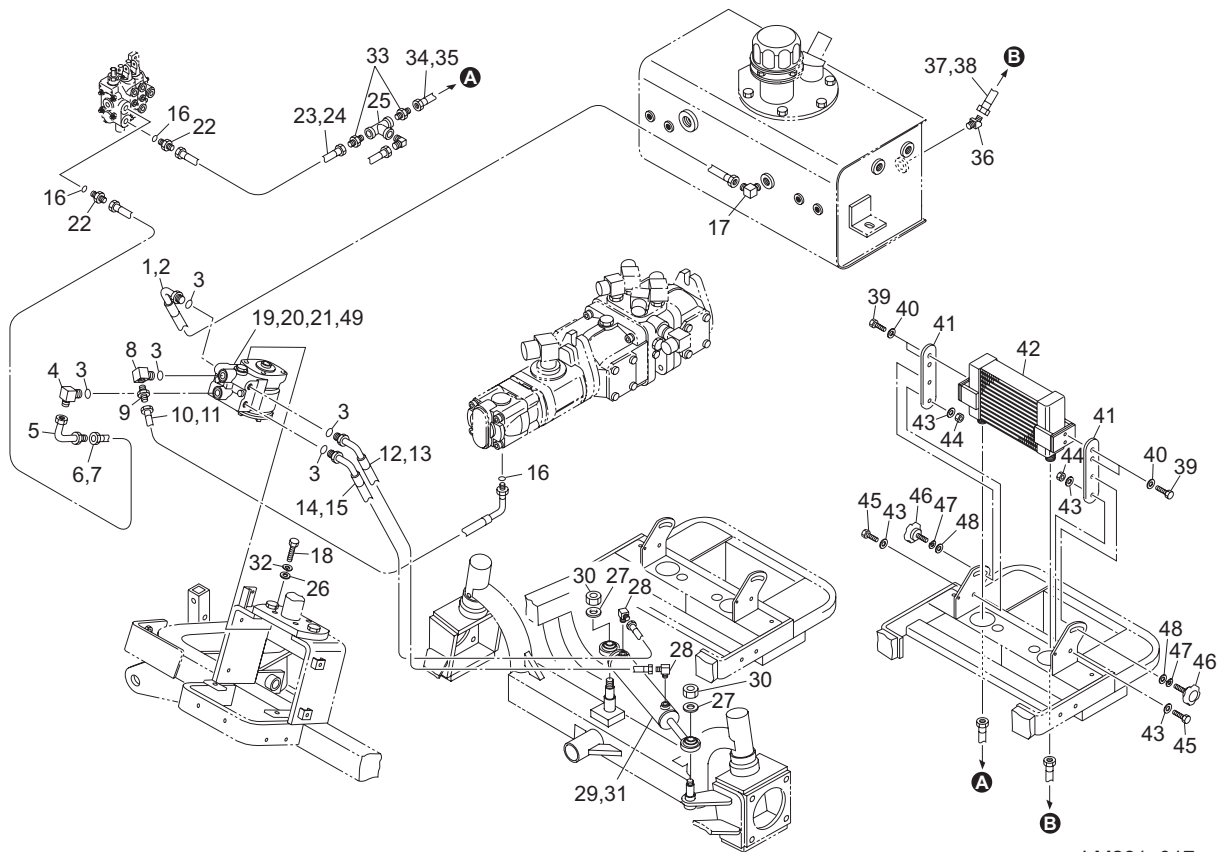


LM281_016_z01

Cat No.	Code No.	Part name	Qty	Remark	SN of application
16-31	K3006000152-Y	ELBOW, ODD SIZED PT1/8*PF1/4	3		
16-32	K3101230270	HOSE, WP70-6-3-270	2		
16-33	K3190001700	TUBE, SPIRAL SP-12 170	2	for Solenoid Valve (STOP)	
16-34	K0000080152	BOLT, M8-15	2	for Cell Motor	
16-35	K0100060002	NUT, M6	4		
16-36	YD10000896-1	SEAL KIT, CYLINDER	3		
16-37	K1300000180	GRIP, RUBBER BLACK 7-23	2		
16-38	K3101210400	HOSE, WP70-6-1-400	1	for Seat Switch	
16-39	K0200080002	WASHER, SPRING M8	5	for Detecting Reel Rotation	
16-40	K5000080002	WASHER, M8	5		
16-41	LM285--0661ZD	BRACKET, SWITCH	1		
16-42	K3670000140	SWITCH, LIMIT SWAZ7121NO	1		
16-43	K3670000140	SWITCH, LIMIT SWAZ7121NO	1		
16-44	K0042040302	SCREW, + ROUND HEAD M4-30	4		
16-45	K5000040002	WASHER, M4	4		
16-46	K0200040002	WASHER, SPRING M4	4		
16-47	K0100040002	NUT, M4	4		
16-48	K3681000060	RELAY, CALAF-12V-N-5	1		
16-49	K3681000060	RELAY, CALAF-12V-N-5	1		
16-50	K0200060002	WASHER, SPRING M6	8		
16-51	K5000060002	WASHER, M6	2		
16-52	K0000080302	BOLT, M8-30	3		
16-53	K0100080002	NUT, M8	3		
16-54	K3001120002-Y	ELBOW, 90 DEG 1033-12	1		
16-55	K5000050002	WASHER, M5	2		
16-56	K0000060102	BOLT, M6-10	2		

17. Hydraulic section B (Power steering system)

LM281

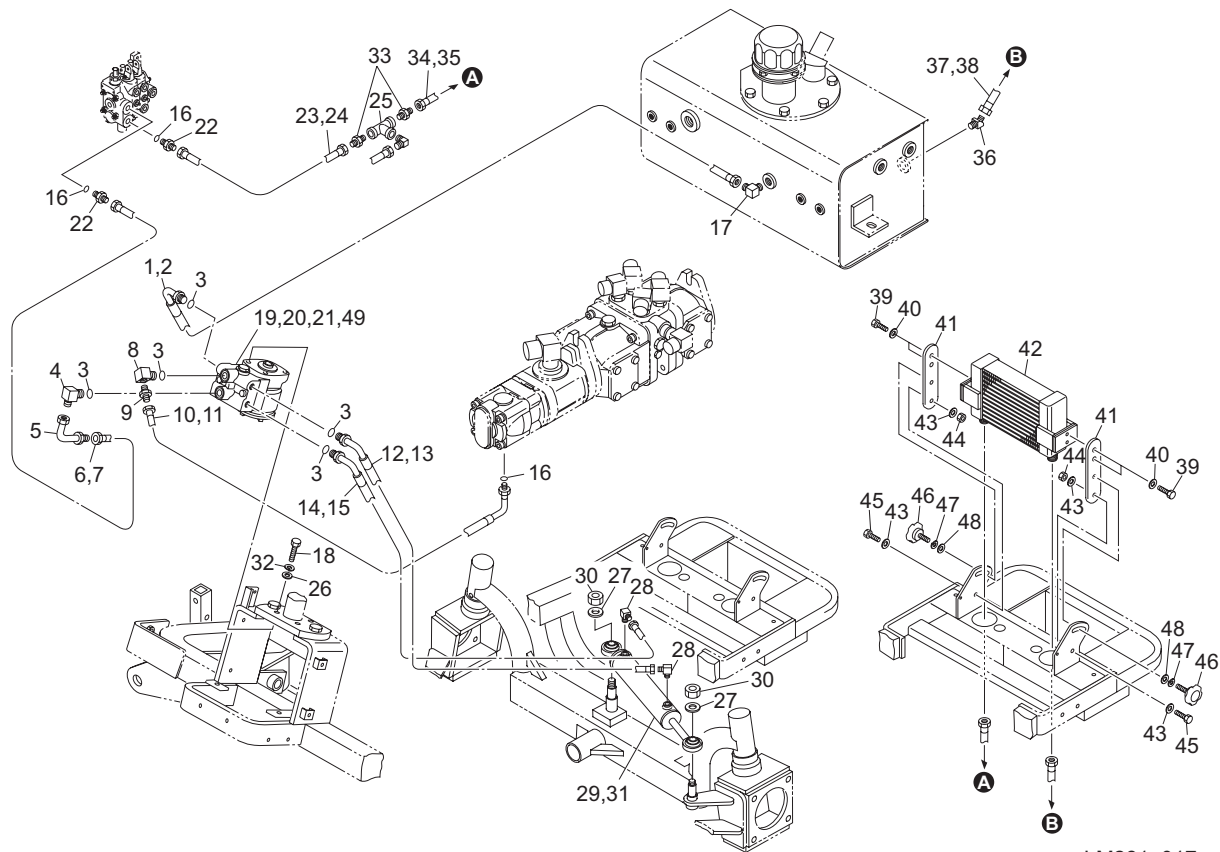


LM281_017_z01

Cat No.	Code No.	Part name	Qty	Remark	SN of application
17-1	K3145000290	HOSE, SSC35-560	1		
17-2	K3190004450	TUBE, SPIRAL SP-12 445	1		
17-3	K0881014000	O-RING, P14B	5		
17-4	K3008000192-Y	ADAPTER, ODD SIZED 90 DEG PF1/2*PF3/8	1		
17-5	K3025069082-Y	ADAPTER, FOR PIPE 069-08	1		
17-6	K3104411100	HOSE, WP175-12-1-1100	1		
17-7	K3191009500	TUBE, SPIRAL SP-15 950	1		
17-8	K3008000072-Y	ELBOW, ADJUSTABLE 90 DEG 1125-9	1		
17-9	K3009000192-Y	ADAPTER, PT3/8*PF1/2	1		
17-10	K3145000400	HOSE, SSC140-1000	1		
17-11	K3191008700	TUBE, SPIRAL SP-15 870	1		
17-12	K3145000120	HOSE, SSC70-1910	1		
17-13	K3190018050	TUBE, SPIRAL SP-12 1805	1		
17-14	K3145000130	HOSE, SSC70-1960	1		
17-15	K3190018550	TUBE, SPIRAL SP-12 1855	1		
17-16	K0881018000	O-RING, P18B	3		
17-17	K3006000022-Y	ELBOW, ODD SIZED PT1/2*PF3/8	1		
17-18	K0000100302	BOLT, M10-30	4		
17-19	K3294000060	STEERING CNTL UNIT, ORBITROL UBS070A08GCD	1		
17-20	YBA0274A	SEAL KIT, UBS070A08GCD	1		
17-21	YBA0056A	SEAL KIT, UBS070A08B2D	1		
17-22	K3009000092-Y	ADAPTER, PF1/2*PF1/2	1		
17-23	K3100430550	HOSE, WP35-12-3-550	1		
17-24	K3191004000	TUBE, SPIRAL SP-15 400	1		
17-25	K3021080002-Y	TEE, TEF PT1/2	1		
17-26	K5000100002	WASHER, M10	4		
17-27	K0215140001	WASHER, DISK SPRING 2H M14	2		
17-28	K3001060002-Y	ELBOW, 90 DEG 1033-6	2		
17-29	K3214000010	CYLINDER, 35-164 374A	1		
17-30	K0145140002	NUT, W/F-RING M14 P1.5	2		

17. Hydraulic section B (Power steering system)

LM281

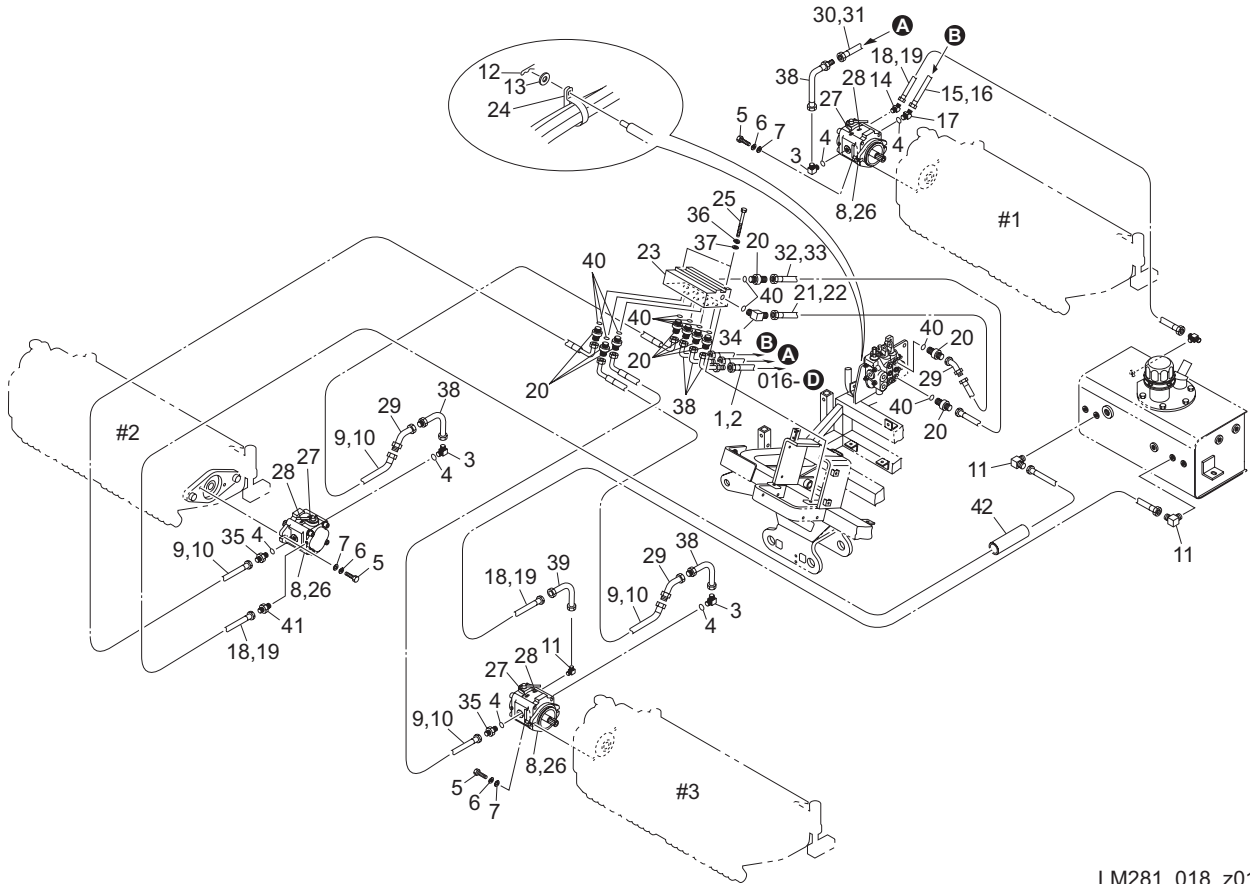


LM281_017_z01

Cat No.	Code No.	Part name	Qty	Remark	SN of application
17-31	YDW46D0190-1	SEAL KIT, CYLINDER	1		
17-32	K0200100002	WASHER, SPRING M10	4		
17-33	K3000120002-Y	ADAPTER, 1013-12	2		
17-34	K3100411000	HOSE, WP35-12-1-1000	1		
17-35	K3191008500	TUBE, SPIRAL SP-15 850	1		
17-36	K3003120002-Y	ELBOW, 45 DEG 1035-12	1		
17-37	K3100411900	HOSE, WP35-12-1-1900	1		
17-38	K3191017500	TUBE, SPIRAL SP-15 1750	1		
17-39	K0000080202	BOLT, M8-20	4		
17-40	K0200080002	WASHER, SPRING M8	4		
17-41	LM285--0642ZD	BRACKET, OIL COOLER	2		
17-42	K3431000050	OIL COOLER	1		
17-43	K5000080002	WASHER, M8	4		
17-44	K0144080002	NUT, W/F-RING M8	2		
17-45	K0000080252	BOLT, M8-25	2		
17-46	K1320000220	KNOB, W/M8 4220	2		
17-47	K0213080002	WASHER, DISK SPRING 1H M8	2		
17-48	K5073208202	WASHER, SPHC 3.2-8-20	2		
17-49	Y64009	BEARING KIT, NEEDLE	1		

18. Hydraulic section C (Reel motor system)

LM281

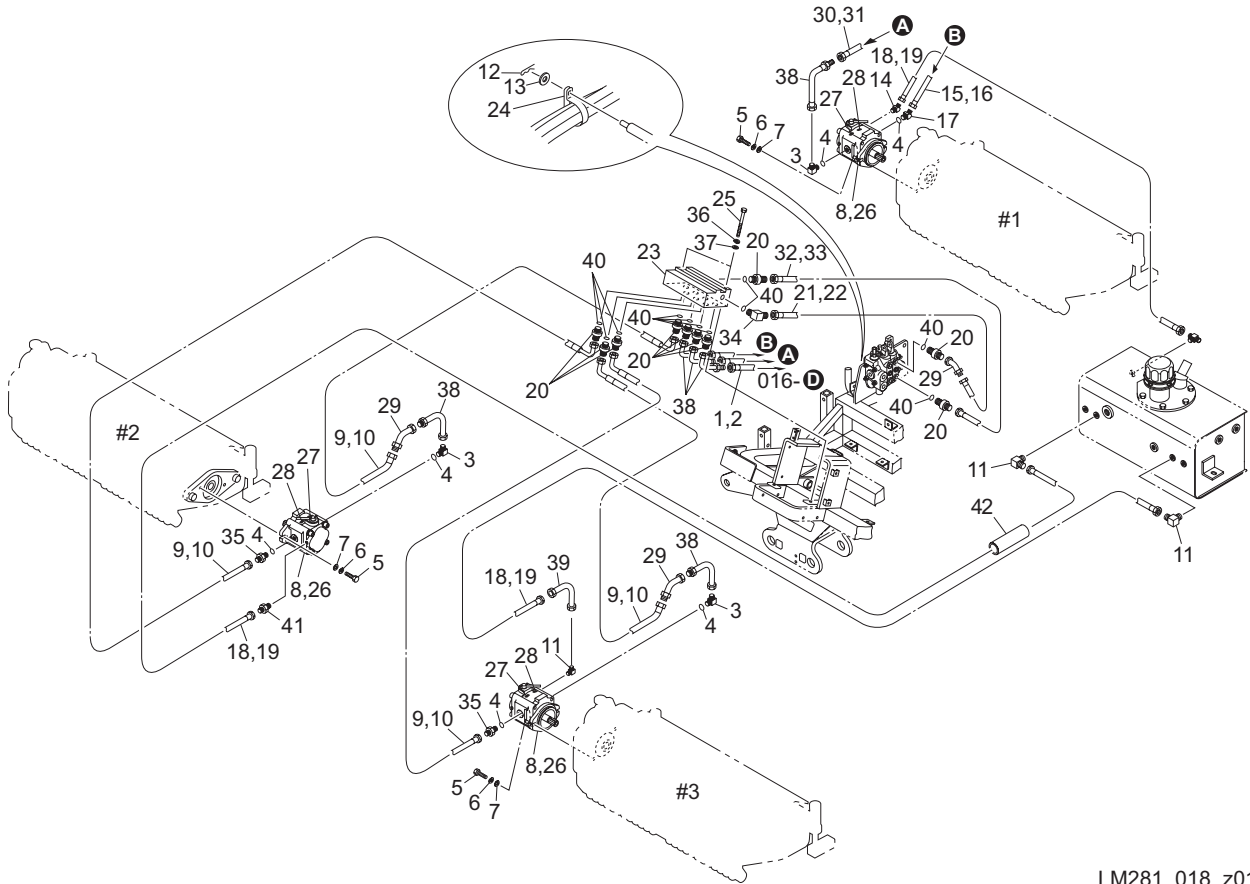


LM281_018_z01

Cat No.	Code No.	Part name	Qty	Remark	SN of application
18-1	K3100411300	HOSE, WP35-12-1-1300	1		
18-2	K3191011500	TUBE, SPIRAL SP-15 1150	1		
18-3	K3008000042-Y	ELBOW, ADJUSTABLE 90 DEG 1086-12	3		
18-4	K0881018000	O-RING, P18B	6		
18-5	K0000100252	BOLT, M10-25	6		
18-6	K0200100002	WASHER, SPRING M10	6		
18-7	K5000100002	WASHER, M10	6		
18-8	K3280000200	MOTOR, GEAR MB6AK379	3		
18-9	K3105431000	HOSE, WP210-12-3-1000	4		
18-10	K3191008500	TUBE, SPIRAL SP-15 850	4		
18-11	K3001060002-Y	ELBOW, 90 DEG 1033-6	3		
18-12	K0330800008	PIN, SNAP M8	1		
18-13	K5000080002	WASHER, M8	1		
18-14	K3003060002-Y	ELBOW, 45 DEG 1035-6	1		
18-15	K3104412180	HOSE, WP175-12-1-2180	1		
18-16	K3191020300	TUBE, SPIRAL SP-15 2030	1		
18-17	K3008000182-Y	ELBOW, ADJUSTABLE 45 DEG	1		
18-18	K3100211400	HOSE, WP35-6-1-1400	3		
18-19	K3190013000	TUBE, SPIRAL SP-12 1300	3		
18-20	K3009000172-Y	ADAPTER, PF3/8*PF1/2	10		
18-21	K3104410950	HOSE, WP175-12-1-950	1		
18-22	K3191008000	TUBE, SPIRAL SP-15 800	1		
18-23	K3321000050	MANIFOLD, W/SOLENOID VALVE	1		
18-24	K4270050080	CLIP, HARNESS 50 M8	1		
18-25	K0003080702	BOLT, M8-70	2		
18-26	YCG0038A	SEAL KIT, GEAR MOTOR MB6AK379	3		
18-27	K4203001300	DECAL, REEL ROTATION	3		
18-28	K4203001310	DECAL, REEL STOP	3		
18-29	K3025064082-Y	ADAPTER, FOR PIPE 064-08	3		
18-30	K3104412300	HOSE, WP175-12-1-2300	1		

18. Hydraulic section C (Reel motor system)

LM281

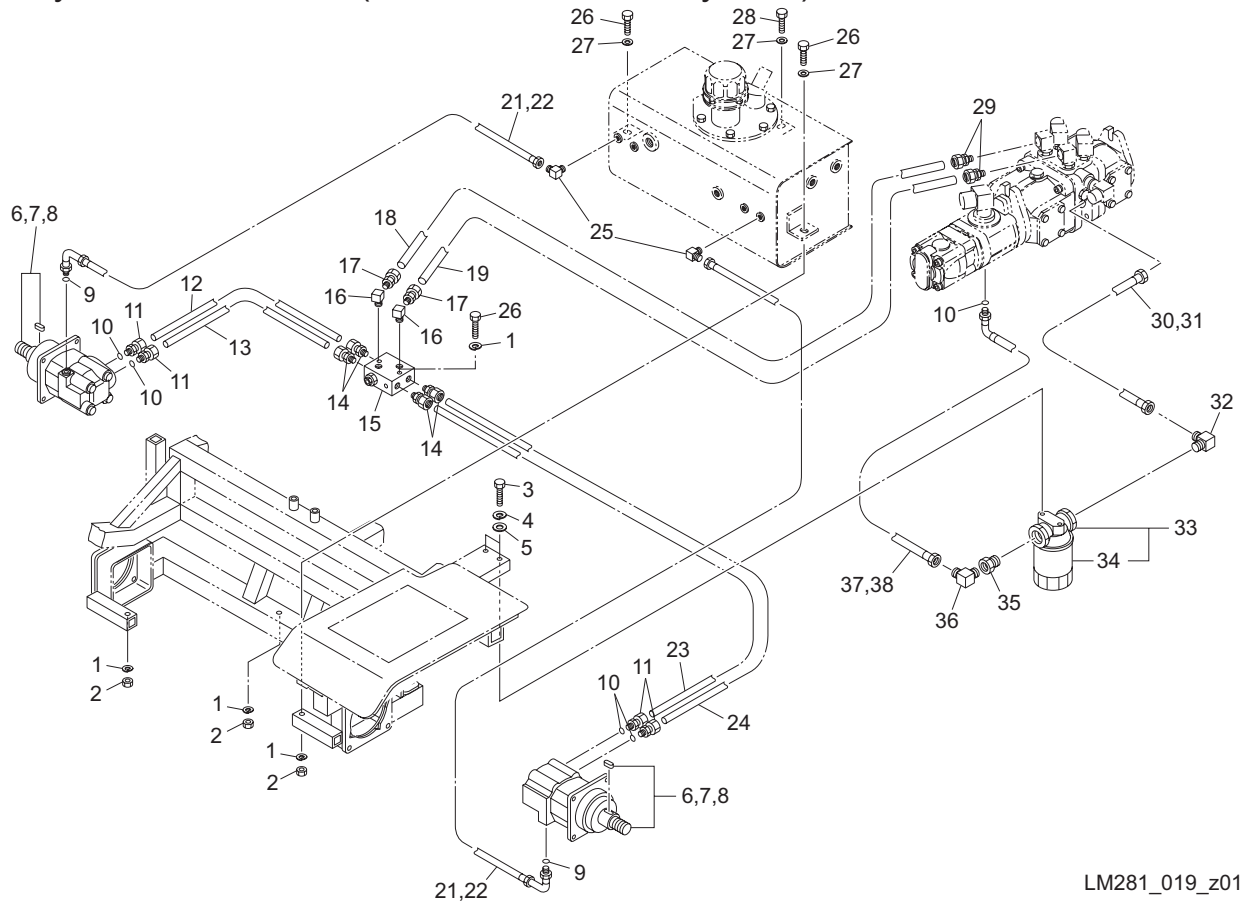


LM281_018_z01

Cat No.	Code No.	Part name	Qty	Remark	SN of application
18-31	K3191021500	TUBE, SPIRAL SP-15 2150	1		
18-32	K3104410930	HOSE, WP175-12-1-930	1		
18-33	K3191007300	TUBE, SPIRAL SP-15 730	1		
18-34	K3008000192-Y	ADAPTER, ODD SIZED 90 PF1/2*PF3/8	1		
18-35	K3009000092-Y	ADAPTER, PF1/2*PF1/2	2		
18-36	K0200080002	WASHER, SPRING M8	2		
18-37	K5000080002	WASHER, M8	2		
18-38	K302506L082-Y	ADAPTER, FOR PIPE 06L-08	6		
18-39	K302506L042-Y	ADAPTER, FOR PIPE 06L-04	1		
18-40	K0881014000	O-RING, P14B	11		
18-41	K3000060002-Y	ADAPTER, 1013-6	1		
18-42	K3172101000	HOSE, VINYL 15*20-100	1		

19. Hydraulic section D (Front wheel motor system)

LM281

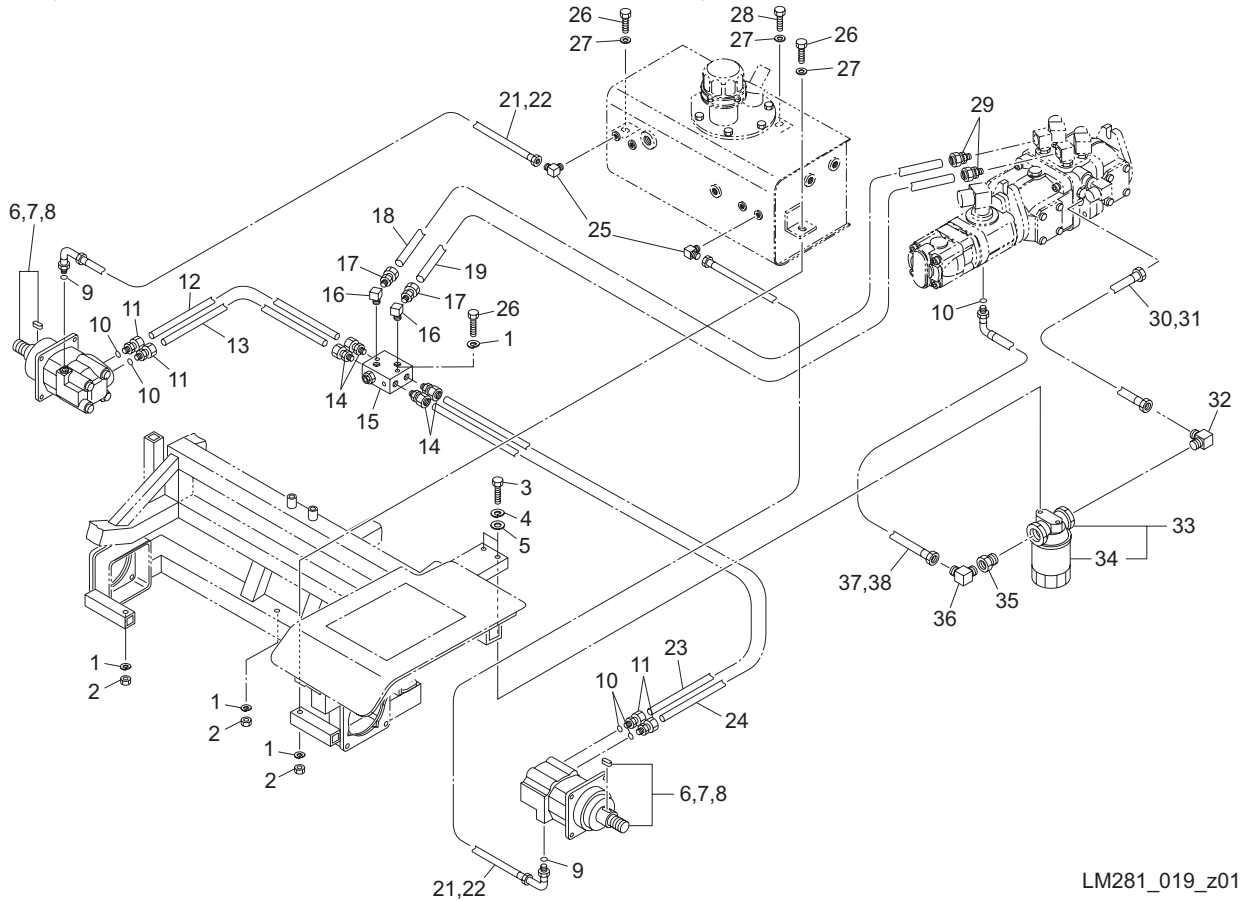


LM281_019_z01

Cat No.	Code No.	Part name	Qty	Remark	SN of application
19-1	K0200080002	WASHER, SPRING M8	5		
19-2	K0100080002	NUT, M8	3		
19-3	K0000100202	BOLT, M10-20	2		
19-4	K0200100002	WASHER, SPRING M10	2		
19-5	K5000100002	WASHER, M10	2		
19-6	K3291000190	MOTOR, WHEEL 2-200BS4S	2		
19-7	Y61090S	SEAL KIT, 2000 ORBIT MOTOR (REAR)	2		
19-8	Y61091S	SEAL KIT, 2000 ORBIT MOTOR (SHAFT)	2		
19-9	K0881011000	O-RING, P11B	2		
19-10	K0881018000	O-RING, P18B	5		
19-11	K3026315081-Y	CONNECTOR, KCO 15-040E	4		
19-12	LM285--0783Z2-Y	PIPE, MOTOR B (RH)	1		
19-13	LM285--0784Z2-Y	PIPE, MOTOR A (RH)	1		
19-14	K3026615081-Y	CONNECTOR, KCT 15-040E	4		
19-15	K3321000020	MANIFOLD, W/RELIEF VALVE	1		
19-16	K3022080002-Y	ELBOW, FEMALE-MALE STE PT1/2	2		
19-17	K3026622081-Y	CONNECTOR, KCT 22-040E	2		
19-18	LM285--0786Z2-Y	PIPE, PUMP 132	1		
19-19	LM285--0785Z2-Y	PIPE, PUMP A2	1		
19-20					
19-21	K3145000270	HOSE, SSC35-250	2		
19-22	K3190001550	TUBE, SPIRAL SP-12 155	2		
19-23	LM285--0782Z2-Y	PIPE, MOTOR A (LH)	1		
19-24	LM285--0781Z2-Y	PIPE, MOTOR B (LH)	1		
19-25	K3001060002-Y	ELBOW, 90 DEG 1033-6	2		
19-26	K0000080502	BOLT, M8-50	4		
19-27	K5000080002	WASHER, M8	3		
19-28	K0003080702	BOLT, M8-70	1		
19-29	K3026622121-Y	CONNECTOR, KCT 22-060E	2		
19-30	K3145000600	HOSE, SSC35-660	1		

19. Hydraulic section D (Front wheel motor system)

LM281

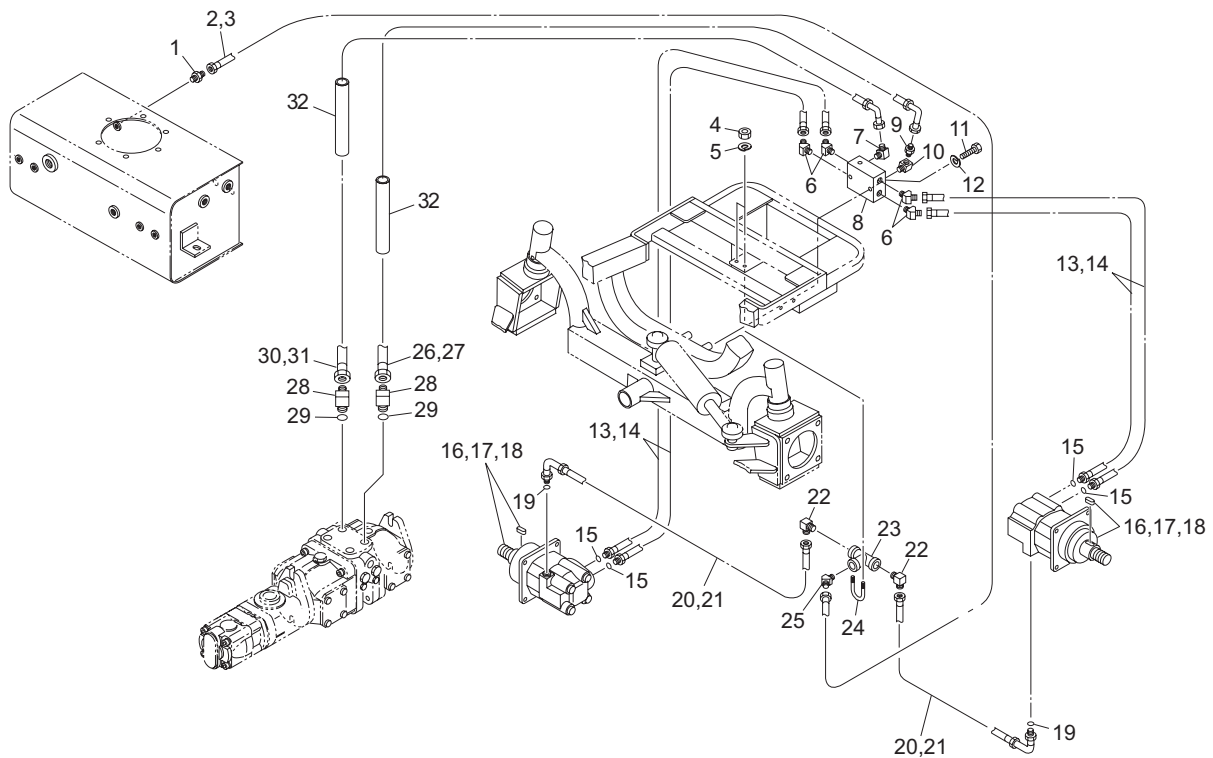


LM281_019_z01

Cat No.	Code No.	Part name	Qty	Remark	SN of application
19-31	K3192005600	TUBE, SPIRAL SP-20 560	1		
19-32	K3006000112-Y	ELBOW, ODD SIZED PT1*PF3/4	1		
19-33	K3412000030	FILTER, CARTRIDGE SP08-10-03	1		
19-34	K3412000060	FILTER, CARTRIDGE C-SP08H-10 (SUBSTITUTE)	1		
19-35	K3024000012-Y	JOINT, CAST IRON 1*3/4	1		
19-36	K3006000102-Y	ELBOW, ODD SIZED PT3/4*PF1/2	1		
19-37	K3145000610	HOSE, SSC35-710	1		
19-38	K3191006100	TUBE, SPIRAL SP-15 610	1		

20. Hydraulic section E (Rear wheel motor system)

LM281

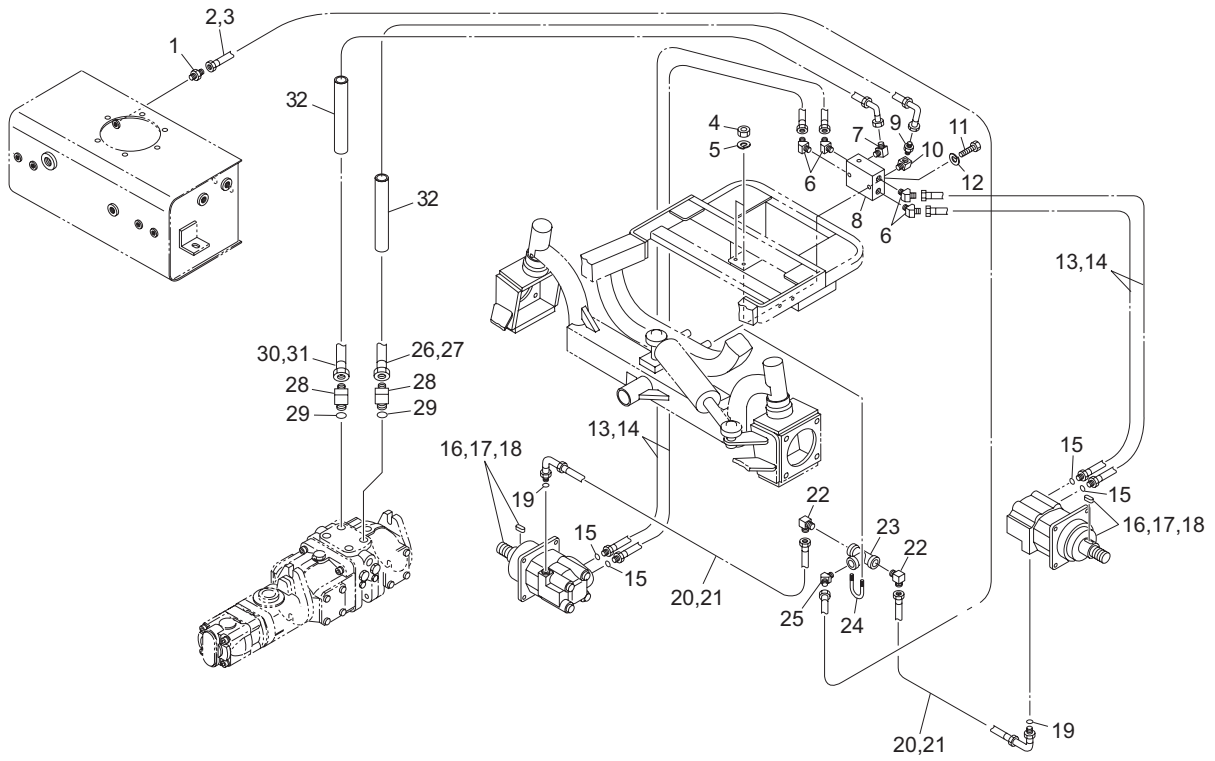


LM281_020_z01

Cat No.	Code No.	Part name	Qty	Remark	SN of application
20-1	K3007000022-Y	ADAPTER, ODD SIZED PT1/2*PF3/8	1		
20-2	K3101311750	HOSE, WP70-9-1-1750	1		
20-3	K3190015500	TUBE, SPIRAL SP-12 1550	1		
20-4	K0100060002	NUT, M6	2		
20-5	K0200060002	WASHER, SPRING M6	2		
20-6	K3003120002-Y	ELBOW, 45 DEG 1035-12	4		
20-7	K3006000122-Y	ELBOW, ODD SIZED PT1/2*PF3/4	1		
20-8	K3321000020	MANIFOLD, W/RELIEF VALVE	1		
20-9	K3007000012-Y	ADAPTER, ODD SIZED PT1/2*PF3/4	1		
20-10	K3022080002-Y	ELBOW, FEMALE-MALE STE PT1/2	1		
20-11	K0000080502	BOLT, M8-50	2		
20-12	K0200080002	WASHER, SPRING M8	2		
20-13	K3145000410	HOSE, IB175-650	4		
20-14	K3191005150	TUBE, SPIRAL SP-15 515	4		
20-15	K0881018000	O-RING, P18B	4		
20-16	K3291000190	MOTOR, WHEEL 2-200BS4S	2		
20-17	Y61090S	SEAL KIT, 2000 ORBIT MOTOR (REAR)	2		
20-18	Y61091S	SEAL KIT, 2000 ORBIT MOTOR (SHAFT)	2		
20-19	K0881011000	O-RING, P11B	2		
20-20	K3145000260	HOSE, SSC35-770	2		
20-21	K3190006750	TUBE, SPIRAL SP-12 675	2		
20-22	K3006000012-Y	ELBOW, ODD SIZED PT3/8*PF1/4	2		
20-23	K3021060002-Y	TEE, TEF PT3/8	1		
20-24	K0073000022	BOLT, W/F-RING, M6-40	1		
20-25	K3003090002-Y	ELBOW, 45 DEG 1035-9	1		
20-26	K3104531050	HOSE, WP175-15-3-1050	1		
20-27	K3192008950	TUBE, SPIRAL SP-20 895	1		
20-28	K3008000162-Y	ELBOW, ADJUSTABLE 90 DEG UNF	2		
20-29	K0887009100	O-RING, AS568-910	2		
20-30	K3104531010	HOSE, WP175-15-3-1010	1		

20.Hydraulic section E (Rear wheel motor system)

LM281

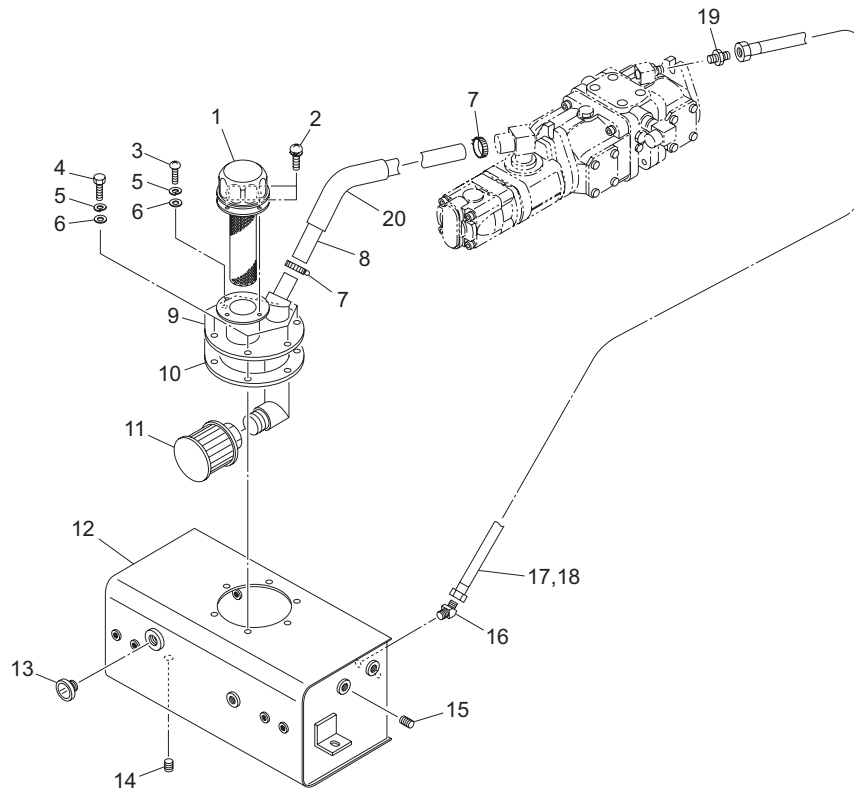


LM281_020_z01

Cat No.	Code No.	Part name	Qty	Remark	SN of application
20-31	K3192008150	TUBE, SPIRAL SP-20 815	1		
20-32	K3172302000	HOSE, VINYL 25*30-200	2		

21. Hydraulic section F (Hydraulic tank system)

LM281

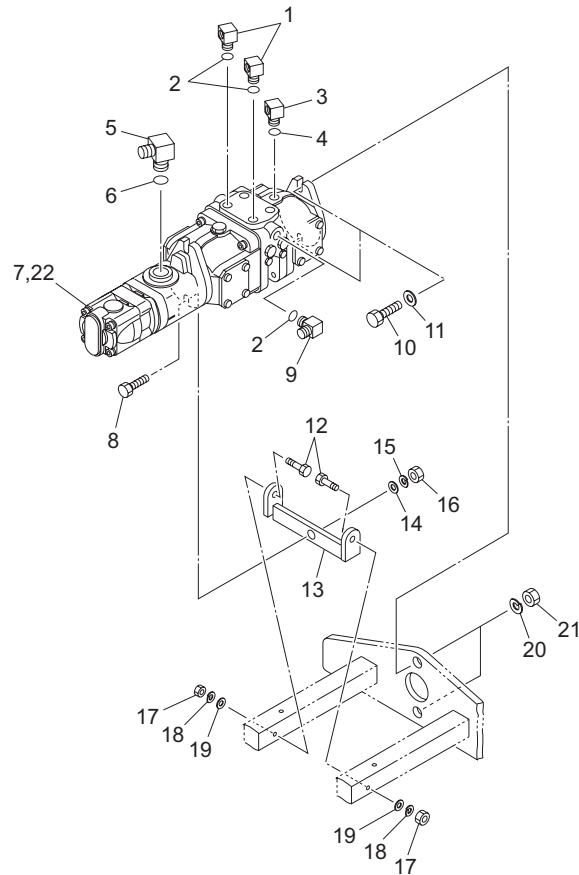


LM281_021_z01

Cat No.	Code No.	Part name	Qty	Remark	SN of application
21-1	K3400000030	BREATHER, REFUELING HOLE FAB-50	1		
21-2	K0044050102	SCREW, + ROUND HEAD W/SW M5-10	4		
21-3	K0056080200	SCREW, SUS + TRUSS M8-20	1		
21-4	K0000080202	BOLT, M8-20	5		
21-5	K0200080002	WASHER, SPRING M8	6		
21-6	K5000080002	WASHER, M8	6		
21-7	K4260000200	CLAMP, HOSE JUBILEE BAND 2A	2		
21-8	LM318--0730Z0	HOSE, WP35-32*500	1		
21-9	LM318--0705Z2-Y	PORT, SUCTION HYDRAULIC TANK	1		
21-10	LM318--0711Z0	PACKING	1		
21-11	K3413000020	FILTER, SUCTION SFT-08-150W	1		
21-12	LM318--0701CD-Y	TANK, HYDRAULIC	1		
21-13	K1400000044-Y	GAUGE, OIL PF3/4 TYPE M	1		
21-14	K1422106001-Y	PLUG, TAPERED W/HEX HOLE T1 3/8	1		
21-15	K1422108001-Y	PLUG, TAPERED W/ HEX HOLE T1 1/2	1		
21-16	K3003190002-Y	ELBOW, 45 DEG 1035-19	1		
21-17	K3145000340	HOSE, SSC35-1000	1		
21-18	K3192008500	TUBE, SPIRAL SP-20 850	1		
21-19	K3007000012-Y	ADAPTER, ODD SIZED PT1/2*PF3/4	1		
21-20	K3172603500	HOSE, VINYL 50*57-350	1		

22.Hydraulic section G (Piston pump system)

LM281

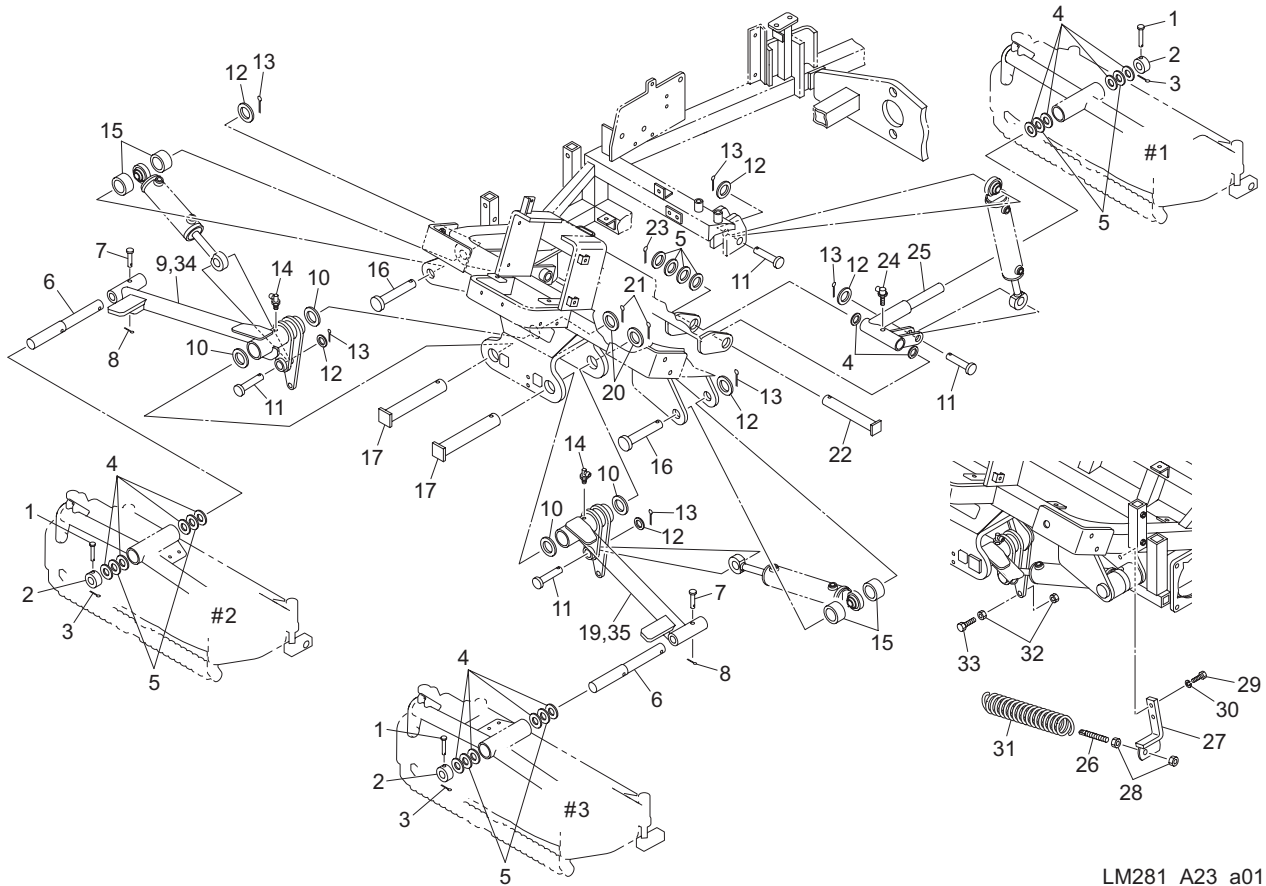


LM281_022_z01

Cat No.	Code No.	Part name	Qty	Remark	SN of application
22-1	K3008000142-Y	ELBOW, ADJUSTABLE 90 DEG	2		
22-2	K0887009100	O-RING, AS568-910	3		
22-3	K3008000172-Y	ELBOW, ADJUSTABLE 90 DEG UNF	1		
22-4	K0887009080	O-RING, AS568-908	1		
22-5	K3008000152-Y	ADAPTER, 90 DEG	1		
22-6	K0881029000	O-RING, P29B	1		
22-7	K3240000020	PUMP, PISTON PV1616AR	1		
22-8	K0000120452	BOLT, M12-45	1		
22-9	K3008000162-Y	ELBOW, ADJUSTABLE 90 DEG UNF	1		
22-10	K0000140502	BOLT, M14-50	2		
22-11	K5000140002	WASHER, M14	2		
22-12	K0000080602	BOLT, M8-60	2		
22-13	LM318--0708ZD	MOUNT, PUMP	1		
22-14	K5000120002	WASHER, M12	1		
22-15	K0200120002	WASHER, SPRING M12	1		
22-16	K0100120002	NUT, M12	1		
22-17	K0100080002	NUT, M8	2		
22-18	K0200080002	WASHER, SPRING M8	2		
22-19	K5000080002	WASHER, M8	2		
22-20	K0200140002	WASHER, SPRING M14	2		
22-21	K0100140002	NUT, M14	2		
22-22	YSP-1343	PUMP, GEAR PV1616AR	1		

A23. Mower lift arm section

LM281

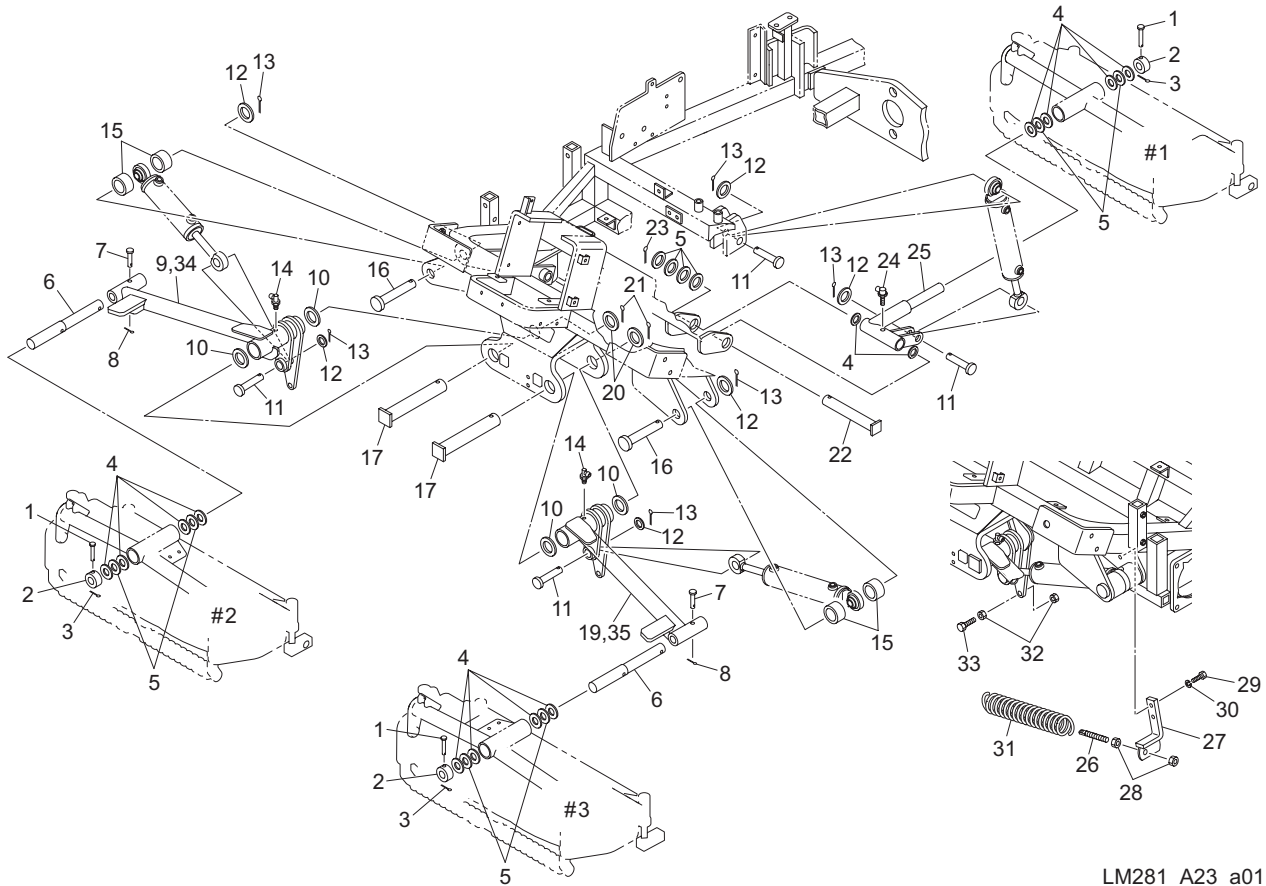


LM281_A23_a01

Cat No.	Code No.	Part name	Qty	Remark	SN of application
A23-1	K6040080402	PIN, ROUND HEAD M8-40	3		
A23-2	K6215000142	COLLAR, STKM W/HOLE M26-32-15	3		
A23-3	K0340800002	PIN, SNAP W/RETAINER M8	3		
A23-4	K5051025370	WASHER, C5191P 1-25.4-37	14		
A23-5	K5011025372	WASHER, SPCC 1-25.4-37	10		
A23-6	K6155000220	SHAFT, STEPPED	2		
A23-7	K6041080488	PIN, ROUND HEAD HT M8-48.5	2		
A23-8	K0300032252	PIN, COTTER M3.2-25	2		
A23-9	LM285--0205AD	ARM, LIFTING FRONT (RH)	1		
A23-10	K5051030420	WASHER, C5191P 1-30-42	4-8	for adjustment	
A23-11	K6030200572	PIN, FLAT HEAD M20-57	4		
A23-12	K5012320402	WASHER, SPCC 2.3-20-40	6		
A23-13	K0300032402	PIN, COTTER M3.2-40	6		
A23-14	K1440000030	GREASE NIPPLE, 67.5 DEG TYPE B	2		
A23-15	K6212000372	COLLAR, STKM M20.2-25.4-14.5	4		
A23-16	LM318--0209Z2	PIN, CYLINDER 84	2		
A23-17	K7147000232	PIN, W/HOLE M30-197	2		
A23-18					
A23-19	LM285--0204AD	ARM, LIFTING FRONT (LH)	1		
A23-20	K5012330452	WASHER, SPCC 2.3-30-45	2		
A23-21	K0300040502	PIN, COTTER M4-50	2		
A23-22	K7147000242	PIN, W/HOLE M25.4-160	1		
A23-23	K0300040322	PIN, COTTER M4-32	1		
A23-24	K1440000020	GREASE NIPPLE, 90 DEG TYPE C	1		
A23-25	LM318--0220AD	ARM, LIFTING REAR MOWER	1		
A23-26	K6122000292	SCREW, ADJUSTING M10-80	2		
A23-27	LM285--2802ZD	HASP, FOR SPRING	2		
A23-28	K0100100002	NUT, M10	4		
A23-29	K0000100202	BOLT, M10-20	4		
A23-30	K0200100002	WASHER, SPRING M10	4		

A23. Mower lift arm section

LM281

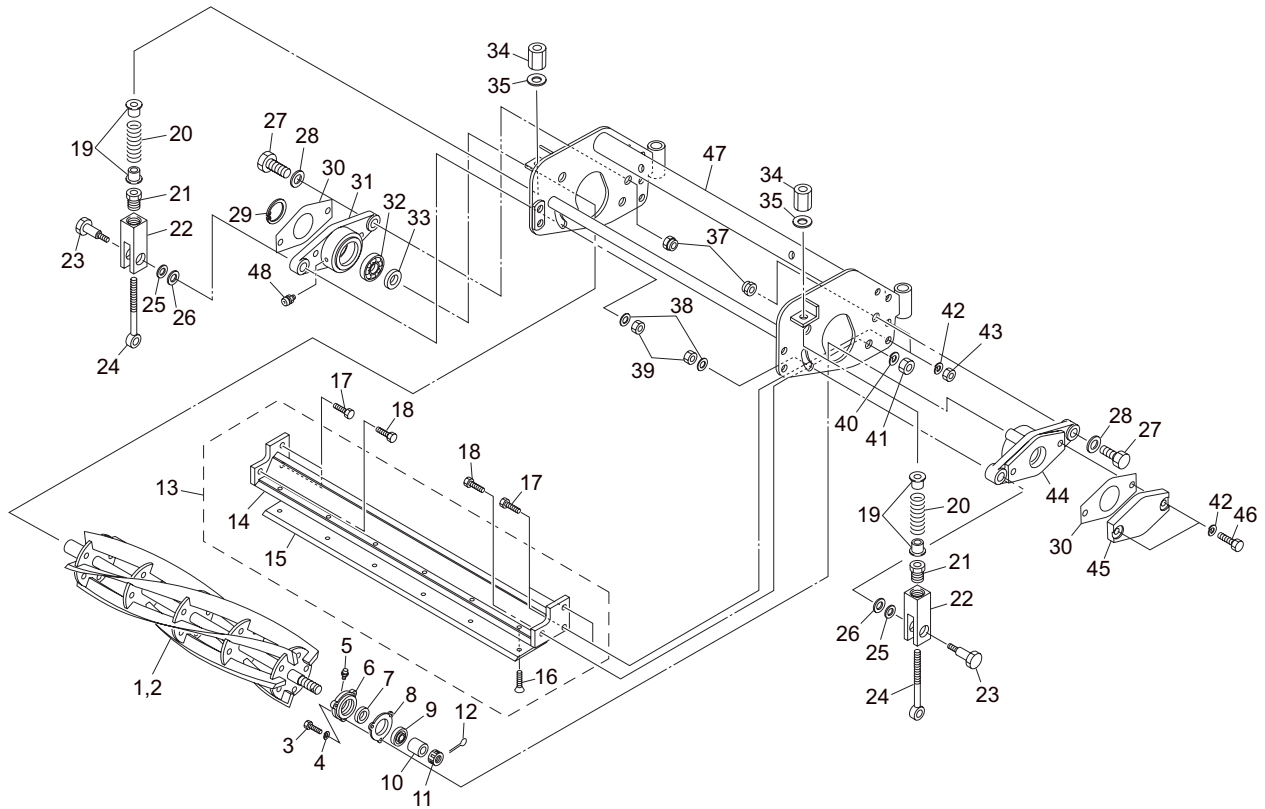


LM281_A23_a01

Cat No.	Code No.	Part name	Qty	Remark	SN of application
A23-31	K1030000168	SPRING, W/U HOOK M4.5-49-168	2		
A23-32	K0100120002	NUT, M12	4		
A23-33	K0010120502	BOLT, HT M12-50	2		
A23-34	LM281--1202ZD	ARM, LIFTING FRONT 524 (RH)	1	for 30inch	
A23-35	LM281--1201ZD	ARM, LIFTING FRONT 524 (LH)	1	for 30inch	

24. Mower section A (#1)

LM281

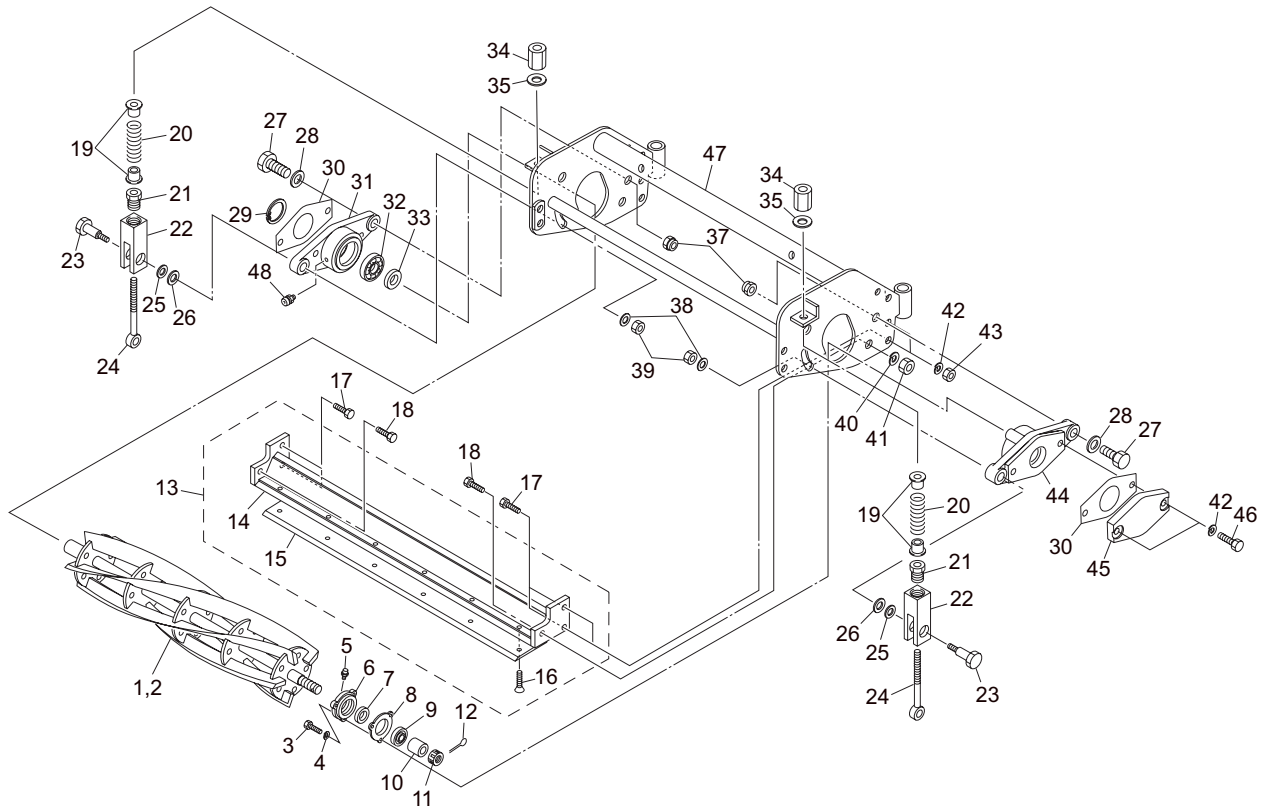


LM281_024_z02

Cat No.	Code No.	Part name	Qty	Remark	SN of application
24-1	K283181L71R	REEL CUTTER, 766-7	1	7 Blades	
24-2	K283181L51R	REEL CUTTER, 766-5	1	5 Blades	
24-3	K0000060152	BOLT, M6-15	3		
24-4	K0200060002	WASHER, SPRING M6	3		
24-5	K1440000010	GREASE NIPPLE, STRAIGHT TYPE A	1		
24-6	K6903000042	CAP, HOUSING	1		
24-7	K0822542080	OIL SEAL, MHSA25428	1		
24-8	K4011000150	PACKING, OIL-SHEET	1		
24-9	K0602063040	BEARING, BALL SHIELD Z 6304	1		
24-10	K6212001742	COLLAR, STKM M20.2-28-18	1		
24-11	K0170000012	NUT, SPECIAL M20	1		
24-12	K0300032252	PIN, COTTER M3.2-25	1		
24-13	K8022000030	BEDKNIFE & BASE ASSY	1		
24-14	K744200007R	BASE, BEDKNIFE 840	1		
24-15	K2510000020	BEDKNIFE, 7-85-770-51	1		
24-16	K0071001182	SCREW, HT FLAT HEAD M10-16	7		
24-17	K0000100252	BOLT, M10-25	4		
24-18	K0000120302	BOLT, M12-30	2		
24-19	K6206000052	RECEIVER, FOR SPRING	4		
24-20	K1000000458	SPRING, COMPRESSION M5-25-60	2		
24-21	K6081000082	PIPE, W/CUTTER ADJUSTING SCREW	2		
24-22	K6090000552	MOUNT, ADJUSTING SCREW	2		
24-23	K6082000122	BOLT, STEPPED FOR FIXING HOUSING	2		
24-24	K7303000182	BOLT, ADJUSTING CUTTER	2		
24-25	K0214100002	WASHER, DISK SPRING 2L M10	2		
24-26	K5012310172	WASHER, SPCC 2.3-10-17	2		
24-27	K0071001132	BOLT, AXIS	2		
24-28	K5012314252	WASHER, SPCC 2.3-14-25	2		
24-29	K0402072001	RING, RETAINING R M72	1		
24-30	K4011000290	PACKING, OIL-SHEET	2		

24. Mower section A (#1)

LM281

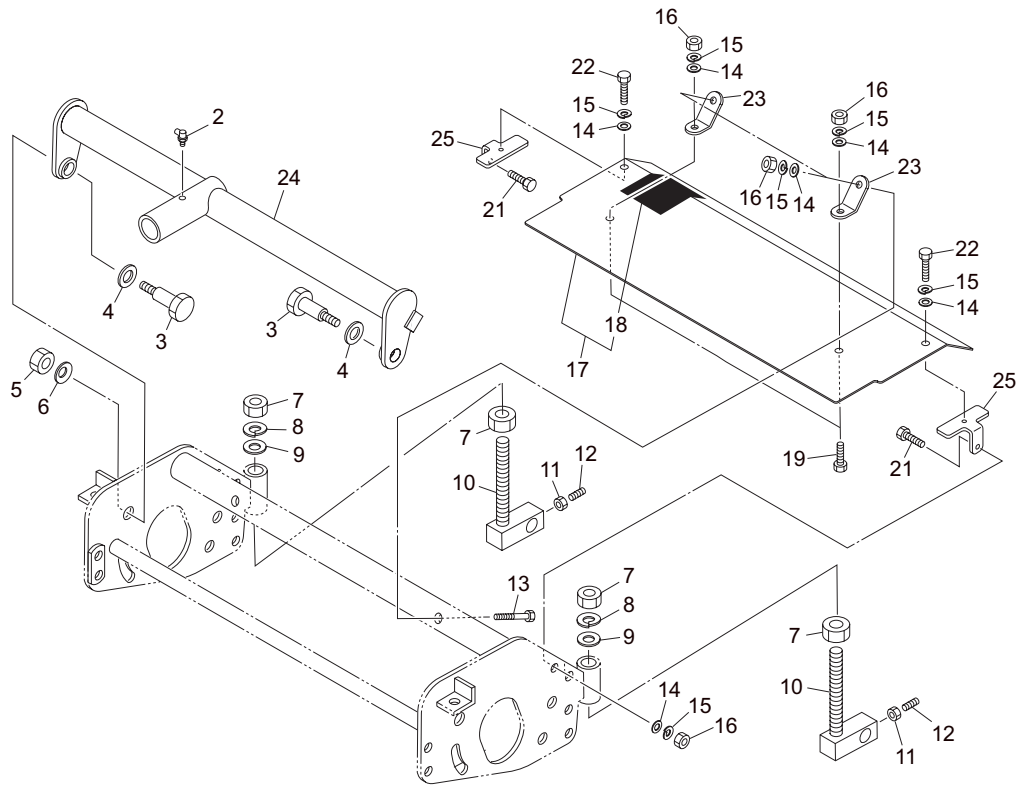


LM281_024_z02

Cat No.	Code No.	Part name	Qty	Remark	SN of application
24-31	LS66R--0402Z2	HOUSING, HYDRAULIC MOTOR B	1		
24-32	K0602062070	BEARING, BALL SHIELD Z 6207	1		
24-33	K0823560120	OIL SEAL, MHSA356012	1		
24-34	LM56G--0506Z2	NUT, HIGH M10-17-35 P1.0	2		
24-35	K5051010160	WASHER, C5191P 1-10-16	2		
24-36					
24-37	K0105140002	NUT, P1.5 M14-3	2		
24-38	K5073210242	WASHER, SPHC 3.2-10-24	2		
24-39	K0145100002	NUT, W/F-RING, P1.25 M10	2		
24-40	K0200120002	WASHER, SPRING M12	2		
24-41	K0100120002	NUT, M12	2		
24-42	K0200100002	WASHER, SPRING M10	6		
24-43	K0100100002	NUT, M10	4		
24-44	K6903000222	HOUSING, REEL CUTTER CR	1		
24-45	K690300017D	COVER, REEL HOUSING	1		
24-46	K0000100452	BOLT, M10-45	2		
24-47	K705200010R	FRAME, MOWER 30	1		
24-48	K1440000010	GREASE NIPPLE, STRAIGHT TYPE A	1		

25. Mower section B (#1)

LM281

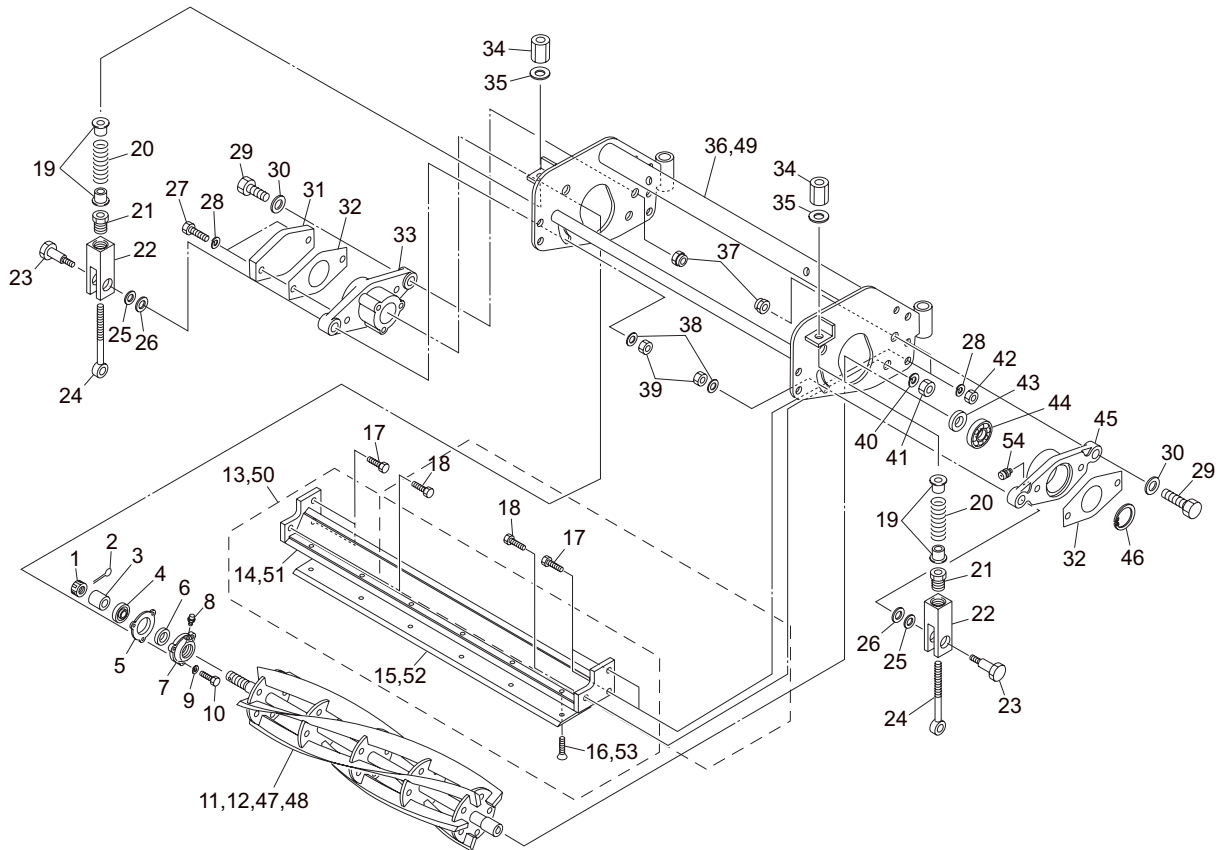


LM281_025_z02

Cat No.	Code No.	Part name	Qty	Remark	SN of application
25-1					
25-2	K1440000020	GREASE NIPPLE, 90 DEG TYPE C	1		
25-3	K6082000132	BOLT, STEPPED FOR FIXING FRAME	2		
25-4	K5011020282	WASHER, SPCC 1-20-28	2		
25-5	K0105140002	NUT, P1.5 M14-3	2		
25-6	K0212140002	WASHER, DISK SPRING 1L M14	2		
25-7	K0108180002	NUT, P1.5 M18-3	4		
25-8	K0200180002	WASHER, SPRING M18	2		
25-9	K5012018282	WASHER, SPCC 2-18-28	2		
25-10	LM526A-0108Z2	SCREW, ADJUSTING CUTTING HEIGHT	2		
25-11	K0100100002	NUT, M10	2		
25-12	K0023100251	SETSCREW, M10-25	2		
25-13	K0000060502	BOLT, M6-50	2		
25-14	K5000060002	WASHER, M6	8		
25-15	K0200060002	WASHER, SPRING M6	8		
25-16	K0100060002	NUT, M6	6		
25-17	K9010000190	COVER, REEL 30 W/ DECAL	1		
25-18	K4205001600	DECAL, CAUTION TO MUTILATION	1		
25-19	K0000060152	BOLT, M6-15	2		
25-20					
25-21	K0000060202	BOLT, M6-20	2		
25-22	K0000060102	BOLT, M6-10	2		
25-23	K527600041R	PLATE, FOR FIXING COVER	2		
25-24	LM281--2201ZR	ARM, MOWER #1	1		
25-25	K5206000762	PLATE, RECEIVING L SHAPED METAL	2		

A26. Mower section A (#2)

LM281

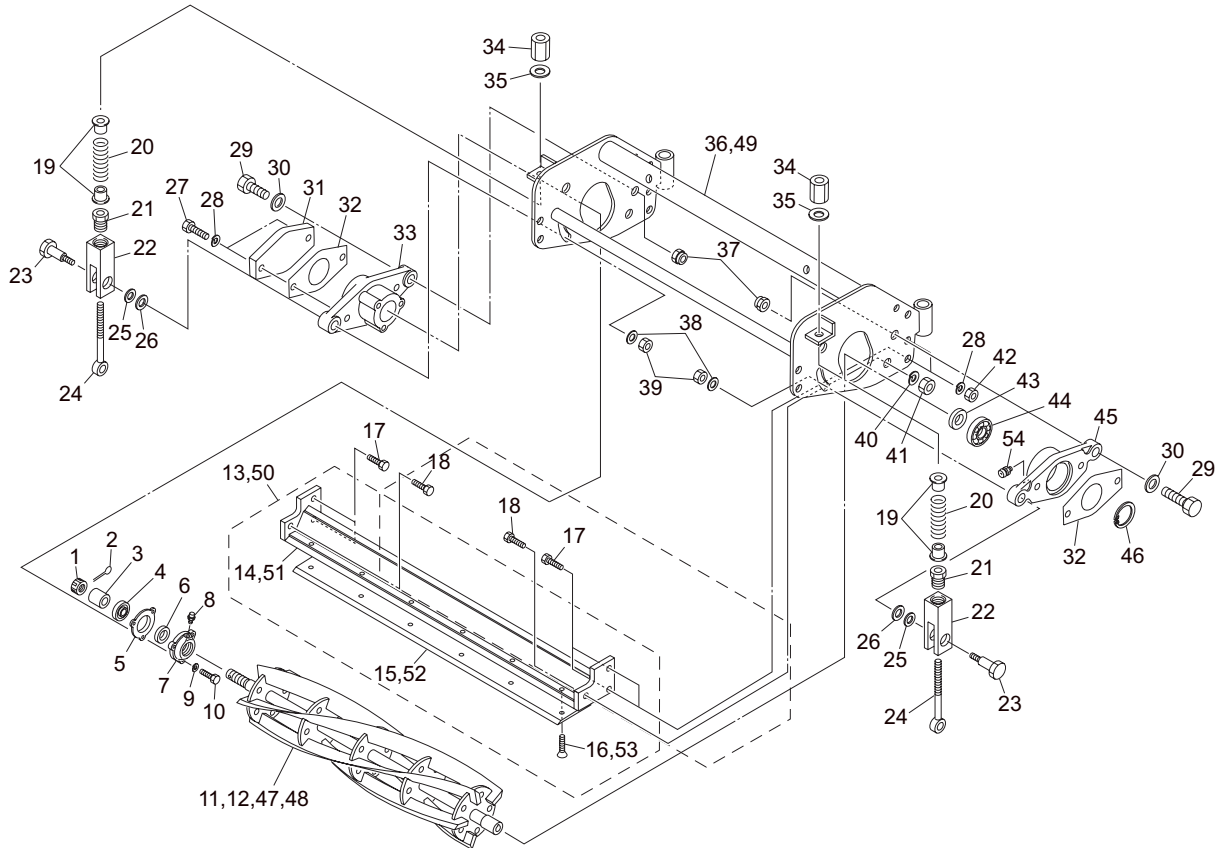


LM281_A26_a01

Cat No.	Code No.	Part name	Qty	Remark	SN of application
A26-1	K017000012	NUT, SPECIAL M20	1		
A26-2	K0300032252	PIN, COTTER M3.2-25	1		
A26-3	K6212001742	COLLAR, STKM M20.2-28-18	1		
A26-4	K0602063040	BEARING, BALL SHIELD Z 6304	1		
A26-5	K4011000150	PACKING, OIL-SHEET	1		
A26-6	K0822542080	OIL SEAL, MHSA25428	1		
A26-7	K6903000042	CAP, HOUSING	1		
A26-8	K1440000010	GREASE NIPPLE, STRAIGHT TYPE A	1		
A26-9	K0200060002	WASHER, SPRING M6	3		
A26-10	K0000060152	BOLT, M6-15	3		
A26-11	K285260L70R	REEL CUTTER, 660-7L	1	7 Blades	
A26-12	K285260L50R	REEL CUTTER, 660-5L	1	5 Blades	
A26-13	K8022000020	BEDKNIFE & BASE ASSY	1		
A26-14	K744200006R	BASE, BEDKNIFE 732	1		
A26-15	K2510000030	BEDKNIFE, 7-85-662	1		
A26-16	K0071001182	SCREW, HT FLAT HEAD M10-16	6		
A26-17	K0000100252	BOLT, M10-25	4		
A26-18	K0000120302	BOLT, M12-30	2		
A26-19	K6206000052	RECEIVER, FOR SPRING	4		
A26-20	K1000000458	SPRING, COMPRESSION M5-25-60	2		
A26-21	K6081000082	PIPE, W/CUTTER ADJUSTING SCREW	2		
A26-22	K6090000552	MOUNT, ADJUSTING SCREW	2		
A26-23	K6082000122	BOLT, STEPPED FOR FIXING HOUSING	2		
A26-24	K7303000182	BOLT, ADJUSTING CUTTER	2		
A26-25	K0214100002	WASHER, DISK SPRING 2L M10	2		
A26-26	K5012310172	WASHER, SPCC 2.3-10-17	2		
A26-27	K0000100452	BOLT, M10-45	2		
A26-28	K0200100002	WASHER, SPRING M10	6		
A26-29	K0071001132	BOLT, AXIS	2		
A26-30	K5012314252	WASHER, SPCC 2.3-14-25	2		

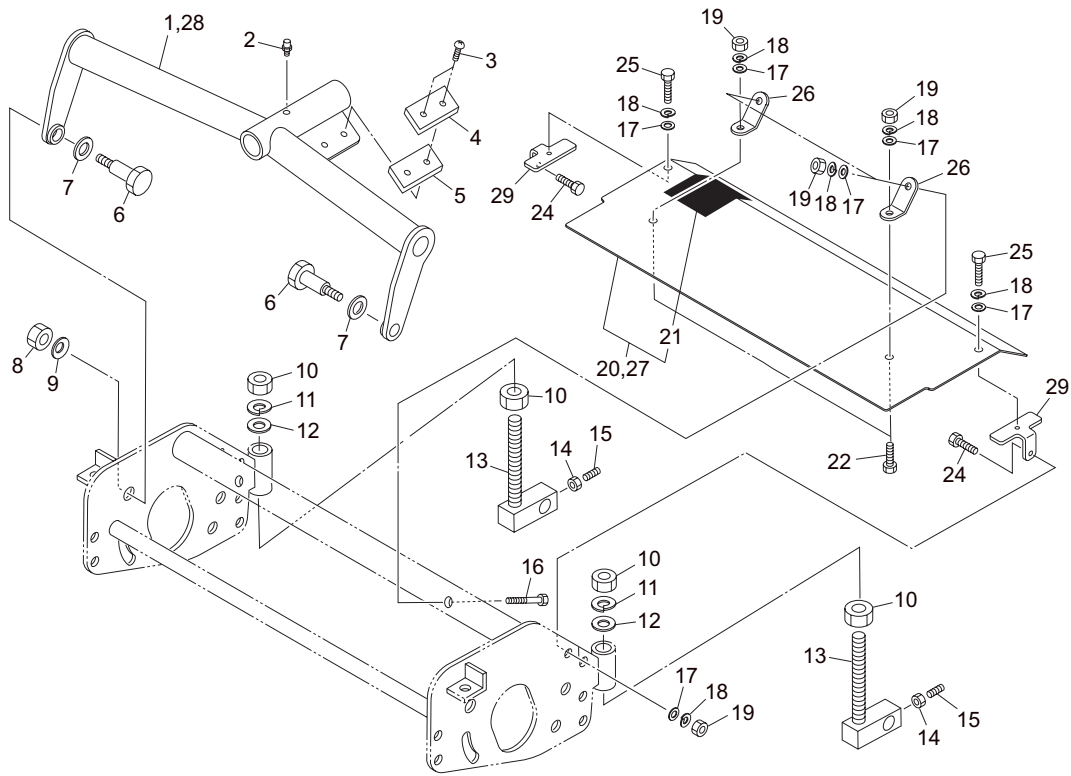
A26. Mower section A (#2)

LM281



LM281_A26_a01

Cat No.	Code No.	Part name	Qty	Remark	SN of application
A26-31	K690300017D	COVER, REEL HOUSING	1		
A26-32	K4011000290	PACKING, OIL-SHEET	2		
A26-33	K6903000222	HOUSING, REEL CUTTER CR	1		
A26-34	LM56G--0506Z2	NUT, HIGH M10-17-35 P1.0	2		
A26-35	K5051010160	WASHER, C5191P 1-10-16	2		
A26-36	K705200006R	FRAME, MOWER	1		
A26-37	K0105140002	NUT, P1.5 M14-3	2		
A26-38	K5073210242	WASHER, SPHC 3.2-10-24	2		
A26-39	K0145100002	NUT, W/F-RING, P1.25 M10	2		
A26-40	K0200120002	WASHER, SPRING M12	2		
A26-41	K0100120002	NUT, M12	2		
A26-42	K0100100002	NUT, M10	4		
A26-43	K0823560120	OIL SEAL, MHS356012	1		
A26-44	K0602062070	BEARING, BALL SHIELD Z 6207	1		
A26-45	LS66L--0402Z2	HOUSING, HYDRAULIC MOTOR A	1		
A26-46	K0402072001	RING, RETAINING R M72	1		
A26-47	K283181R71R	REEL CUTTER, 766-7R	1	7 Blades 30inch	
A26-48	K283181R51R	REEL CUTTER, 766-5R	1	5 Blades 30inch	
A26-49	K705200010R	FRAME, MOWER 30	1	30inch	
A26-50	K8022000030	BEDKNIFE & BASE ASSY	1	30inch	
A26-51	K744200007R	BASE, BEDKNIFE 840	1	30inch	
A26-52	K2510000020	BEDKNIFE, 7-85-770-51	1	30inch	
A26-53	K0071001182	SCREW, HT FLAT HEAD M10-16	7	30inch	
A26-54	K1440000010	GREASE NIPPLE, STRAIGHT TYPE A	1		

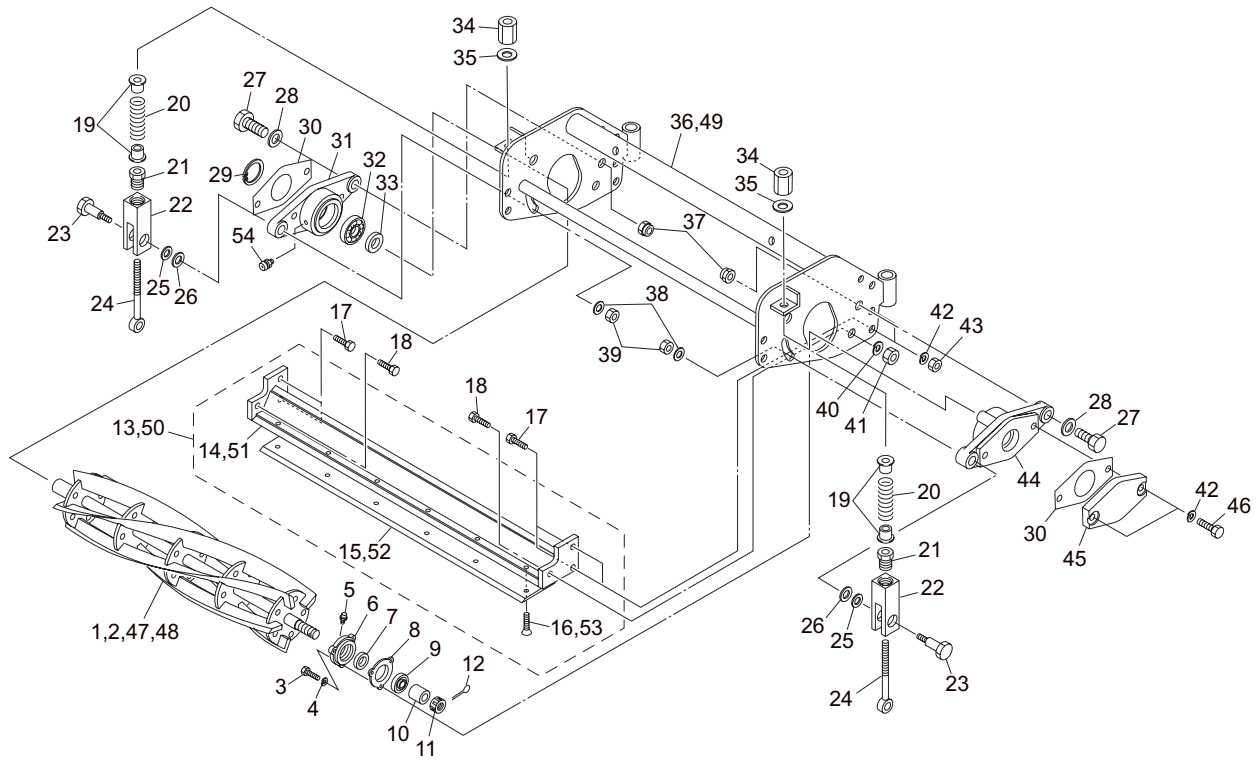


LM281_A27_a03

Cat No.	Code No.	Part name	Qty	Remark	SN of application
A27-1	LM318--0168AR	FRAME, FRONT MOWER (RH)	1		
A27-2	K1440000010	GREASE NIPPLE, STRAIGHT TYPE A	4		
A27-3	K0041060152	SCREW, + FLAT HEAD M6-15	2		
A27-4	K4033000380	STOPPER, URETHAN RUBBER	1		
A27-5	K511700036R	PLATE, SPHC 4.5-40-63 W/HOLE	1		
A27-6	K6082000132	BOLT, STEPPED FOR FIXING FRAME	2		
A27-7	K5011020282	WASHER, SPCC 1-20-28	2		
A27-8	K0105140002	NUT, P1.5 M14-3	2		
A27-9	K0212140002	WASHER, DISK SPRING 1L M14	2		
A27-10	K0108180002	NUT, P1.5 M18-3	4		
A27-11	K0200180002	WASHER, SPRING M18	2		
A27-12	K5012018282	WASHER, SPCC 2-18-28	2		
A27-13	LM526A-0108Z2	SCREW, ADJUSTING CUTTING HEIGHT	2		
A27-14	K0100100002	NUT, M10	2		
A27-15	K0023100251	SETSCREW, M10-25	2		
A27-16	K0000060502	BOLT, M6-50	2		
A27-17	K5000060002	WASHER, M6	8		
A27-18	K0200060002	WASHER, SPRING M6	8		
A27-19	K0100060002	NUT, M6	6		
A27-20	K9010000180	COVER, REEL W/ DECAL	1		
A27-21	K4205001600	DECAL, CAUTION TO MUTILATION	1		
A27-22	K0000060152	BOLT, M6-15	2		
A27-23					
A27-24	K0000060202	BOLT, M6-20	2		
A27-25	K0000060102	BOLT, M6-10	2		
A27-26	K527600041R	PLATE, FOR FIXING COVER	2		
A27-27	K9010000190	COVER, REEL 30 W/ DECAL	1	for 30inch	
A27-28	LM318W-0104AR	FRAME, FRONT MOWER (RH)	1	for 30inch	
A27-29	K5206000762	PLATE, RECEIVING L SHAPED METAL	2		

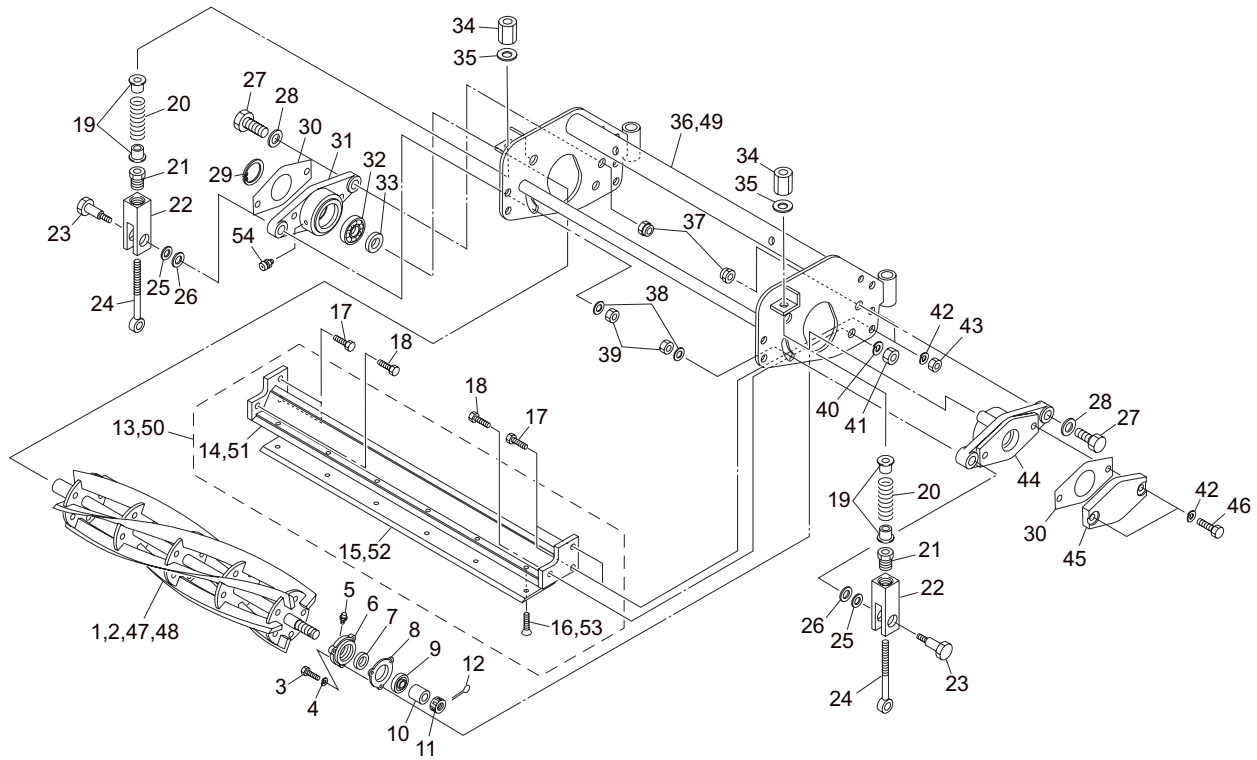
A28. Mower section A (#3)

LM281



LM281_A28_a01

Cat No.	Code No.	Part name	Qty	Remark	SN of application
A28-1	K285260R70R	REEL CUTTER, 660-7R	1	7 Blades	
A28-2	K285260R50R	REEL CUTTER, 660-5R	1	5 Blades	
A28-3	K0000060152	BOLT, M6-15	3		
A28-4	K0200060002	WASHER, SPRING M6	3		
A28-5	K1440000010	GREASE NIPPLE, STRAIGHT TYPE A	1		
A28-6	K6903000042	CAP, HOUSING	1		
A28-7	K0822542080	OIL SEAL, MHSA25428	1		
A28-8	K4011000150	PACKING, OIL-SHEET	1		
A28-9	K0602063040	BEARING, BALL SHIELD Z 6304	1		
A28-10	K6212001742	COLLAR, STKM M20.2-28-18	1		
A28-11	K0170000012	NUT, SPECIAL M20	1		
A28-12	K0300032252	PIN, COTTER M3.2-25	1		
A28-13	K8022000020	BEDKNIFE & BASE ASSY	1		
A28-14	K744200006R	BASE, BEDKNIFE 732	1		
A28-15	K2510000030	BEDKNIFE, 7-85-662	1		
A28-16	K0071001182	SCREW, HT FLAT HEAD M10-16	6		
A28-17	K0000100252	BOLT, M10-25	4		
A28-18	K0000120302	BOLT, M12-30	2		
A28-19	K6206000052	RECEIVER, FOR SPRING	4		
A28-20	K1000000458	SPRING, COMPRESSION M5-25-60	2		
A28-21	K6081000082	PIPE, W/CUTTER ADJUSTING SCREW	2		
A28-22	K6090000552	MOUNT, ADJUSTING SCREW	2		
A28-23	K6082000122	BOLT, STEPPED FOR FIXING HOUSING	2		
A28-24	K7303000182	BOLT, ADJUSTING CUTTER	2		
A28-25	K0214100002	WASHER, DISK SPRING 2L M10	2		
A28-26	K5012310172	WASHER, SPCC 2.3-10-17	2		
A28-27	K0071001132	BOLT, AXIS	2		
A28-28	K5012314252	WASHER, SPCC 2.3-14-25	2		
A28-29	K0402072001	RING, RETAINING R M72	1		
A28-30	K4011000290	PACKING, OIL-SHEET	2		

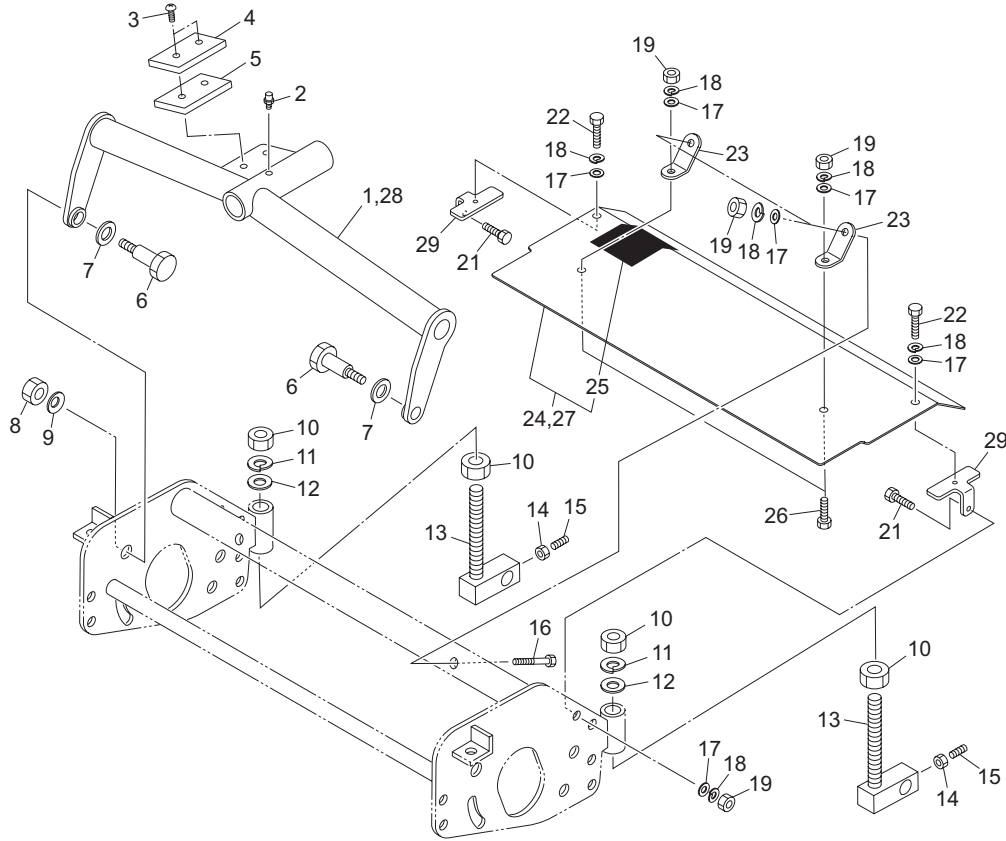


LM281_A28_a01

Cat No.	Code No.	Part name	Qty	Remark	SN of application
A28-31	LS66R--040Z22	HOUSING, HYDRAULIC MOTOR B	1		
A28-32	K0602062070	BEARING, BALL SHIELD Z 6207	1		
A28-33	K0823560120	OIL SEAL, MHSA356012	1		
A28-34	LM56G--0506Z2	NUT, HIGH M10-17-35 P1.0	2		
A28-35	K5051010160	WASHER, C5191P 1-10-16	2		
A28-36	K705200006R	FRAME, MOWER	1		
A28-37	K0105140002	NUT, P1.5 M14-3	2		
A28-38	K5073210242	WASHER, SPHC 3.2-10-24	2		
A28-39	K0145100002	NUT, W/F-RING, P1.25 M10	2		
A28-40	K0200120002	WASHER, SPRING M12	2		
A28-41	K0100120002	NUT, M12	2		
A28-42	K0200100002	WASHER, SPRING M10	6		
A28-43	K0100100002	NUT, M10	4		
A28-44	K6903000222	HOUSING, REEL CUTTER CR	1		
A28-45	K690300017D	COVER, REEL HOUSING	1		
A28-46	K0000100452	BOLT, M10-45	2		
A28-47	K283181L71R	REEL CUTTER, 766-7	1	7 Blades 30inch	
A28-48	K283181L51R	REEL CUTTER, 766-5	1	5 Blades 30inch	
A28-49	K705200010R	FRAME, MOWER 30	1	30inch	
A28-50	K8022000030	BEDKNIFE & BASE ASSY	1	30inch	
A28-51	K744200007R	BASE, BEDKNIFE 840	1	30inch	
A28-52	K2510000020	BEDKNIFE, 7-85-770-51	1	30inch	
A28-53	K0071001182	SCREW, HT FLAT HEAD M10-16	7	30inch	
A28-54	K1440000010	GREASE NIPPLE, STRAIGHT TYPE A	1		

A29. Mower section B (#3)

LM281

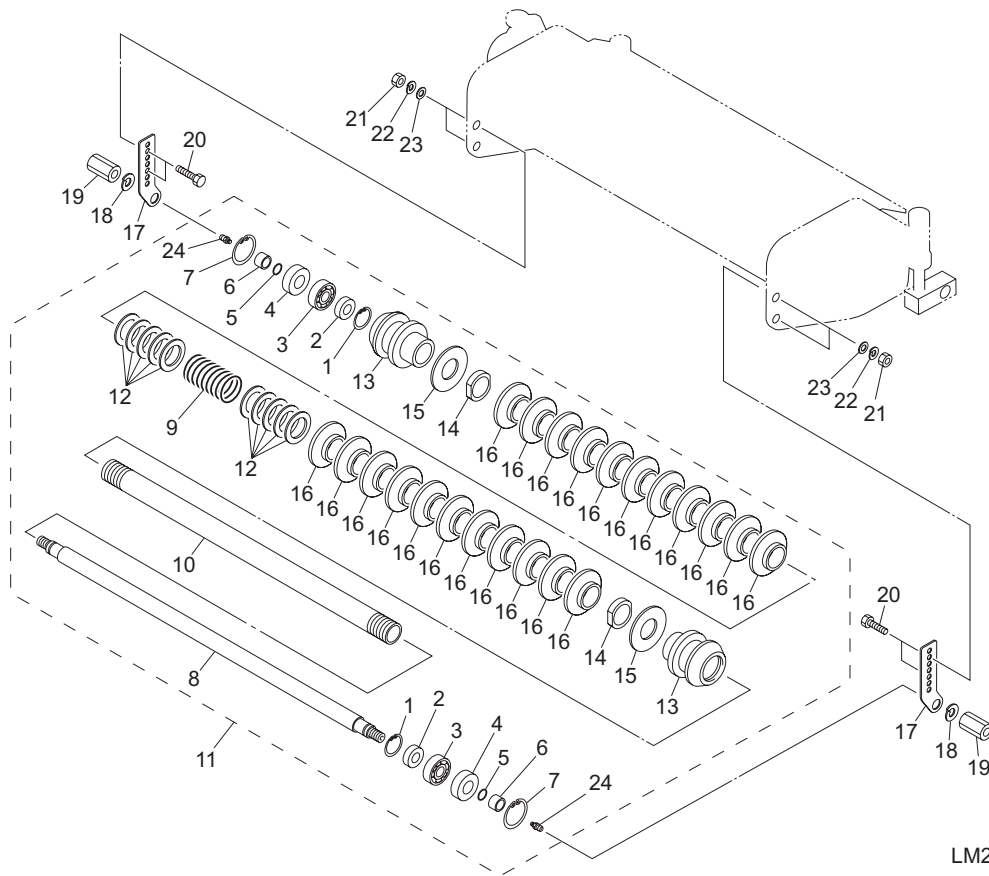


LM281_A29_a03

Cat No.	Code No.	Part name	Qty	Remark	SN of application
A29-1	LM318--0169AR	FRAME, FRONT MOWER (LH)	1		
A29-2	K1440000010	GREASE NIPPLE, STRAIGHT TYPE A	1		
A29-3	K0041060152	SCREW, + FLAT HEAD M6-15	2		
A29-4	K4033000380	STOPPER, URETHAN RUBBER	1		
A29-5	K511700036R	PLATE, SPHC 4.5-40-63 W/HOLE	1		
A29-6	K6082000132	BOLT, STEPPED FOR FIXING FRAME	2		
A29-7	K5011020282	WASHER, SPCC 1-20-28	2		
A29-8	K0105140002	NUT, P1.5 M14-3	2		
A29-9	K0212140002	WASHER, DISK SPRING 1L M14	2		
A29-10	K0108180002	NUT, P1.5 M18-3	4		
A29-11	K0200180002	WASHER, SPRING M18	2		
A29-12	K5012018282	WASHER, SPCC 2-18-28	2		
A29-13	LM526A-0108Z2	SCREW, ADJUSTING CUTTING HEIGHT	2		
A29-14	K0100100002	NUT, M10	2		
A29-15	K0023100251	SETSCREW, M10-25	2		
A29-16	K0000060502	BOLT, M6-50	2		
A29-17	K5000060002	WASHER, M6	8		
A29-18	K0200060002	WASHER, SPRING M6	8		
A29-19	K0100060002	NUT, M6	6		
A29-20					
A29-21	K0000060202	BOLT, M6-20	2		
A29-22	K0000060102	BOLT, M6-10	2		
A29-23	K527600041R	PLATE, FOR FIXING COVER	2		
A29-24	K9010000180	COVER, REEL W/ DECAL	1		
A29-25	K4205001600	DECAL, CAUTION TO MUTILATION	1		
A29-26	K0000060152	BOLT, M6-15	2		
A29-27	K9010000190	COVER, REEL 30 W/ DECAL	1	for 30inch	
A29-28	LM318W-0105AR	FRAME, FRONT MOWER (LH)	1	for 30inch	
A29-29	K5206000762	PLATE, RECEIVING L SHAPED METAL	2		

30-1. Front roller section 30inch (#1)

LM281

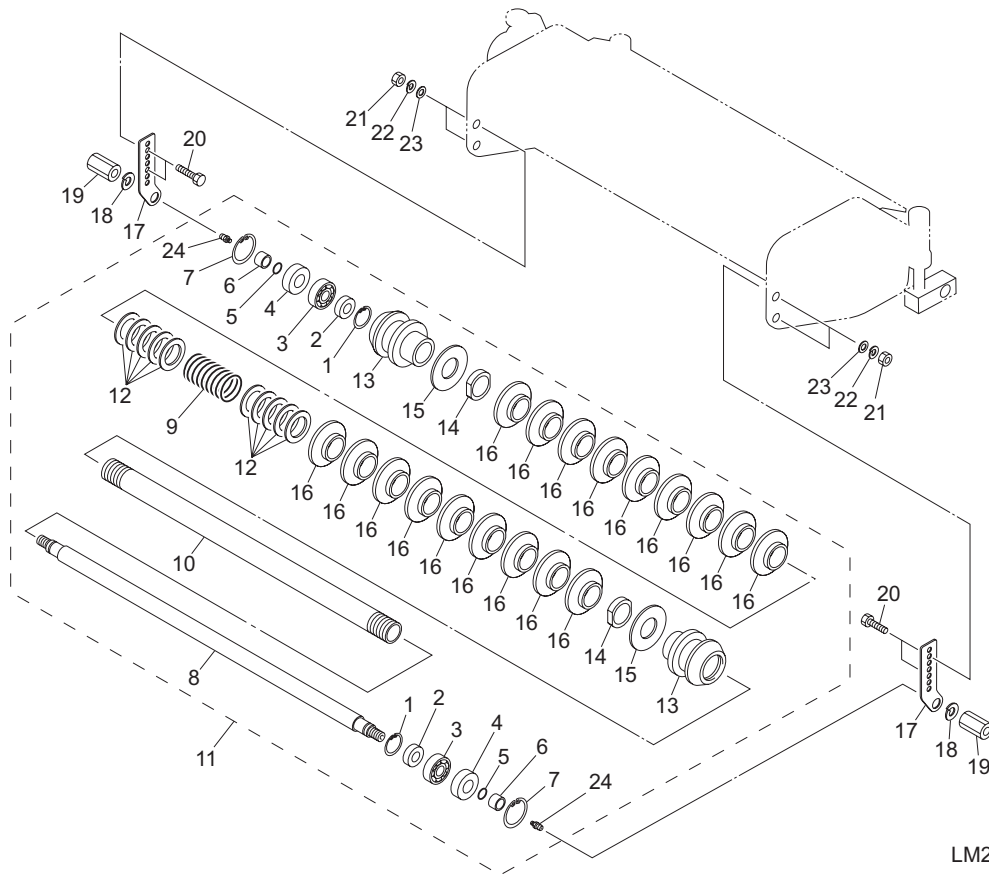


LM281_030-1_z01

Cat No.	Code No.	Part name	Qty	Remark	SN of application
30-1-1	K0402035001	RING, RETAINING R M35	2		
30-1-2	K0822235080	OIL SEAL, MHS A22358	2		
30-1-3	K0600063030	BEARING, BALL 6303	2		
30-1-4	K0822547080	OIL SEAL, MHS A25478	2		
30-1-5	K0885015000	O-RING, S15	2		
30-1-6	K6219000600	COLLAR, SUS M17-25-27	2		
30-1-7	K0402047001	RING, RETAINING R M47	2		
30-1-8	LM281--2202Z0	SHAFT, ROLLER 22-871	1		
30-1-9	K100000073D	SPRING, COMPRESSION M5-51-75	1		
30-1-10	LM281--2203Z2	PIPE, ROLLER 34.2-407-15.2	1		
30-1-11	LM281--2205Z0	ROLLER ASSY, GROOVED 30	1		
30-1-12	K5011040522	WASHER, SPCC 1-40-52	10	for adjustment	
30-1-13	K620200051D	HOUSING, ROLLER 75.5	2		
30-1-14	K016000062D	NUT, M40	2		
30-1-15	K510100061D	PLATE, ROUND 80	2		
30-1-16	K5920000120	ROLLER, PLASTIC 80	22		
30-1-17	K5131001882	PLATE, SPHC ROLLER BRACKET	2		
30-1-18	K0200140002	WASHER, SPRING M14	2		
30-1-19	K0160000652	NUT, SPECIAL M14-30	2		
30-1-20	K0000100252	BOLT, M10-25	4		
30-1-21	K0102100002	NUT, M10-3	4		
30-1-22	K0200100002	WASHER, SPRING M10	4		
30-1-23	K5000100002	WASHER, M10	4		
30-1-24	K1440000010	GREASE NIPPLE, STRAIGHT TYPE A	2		

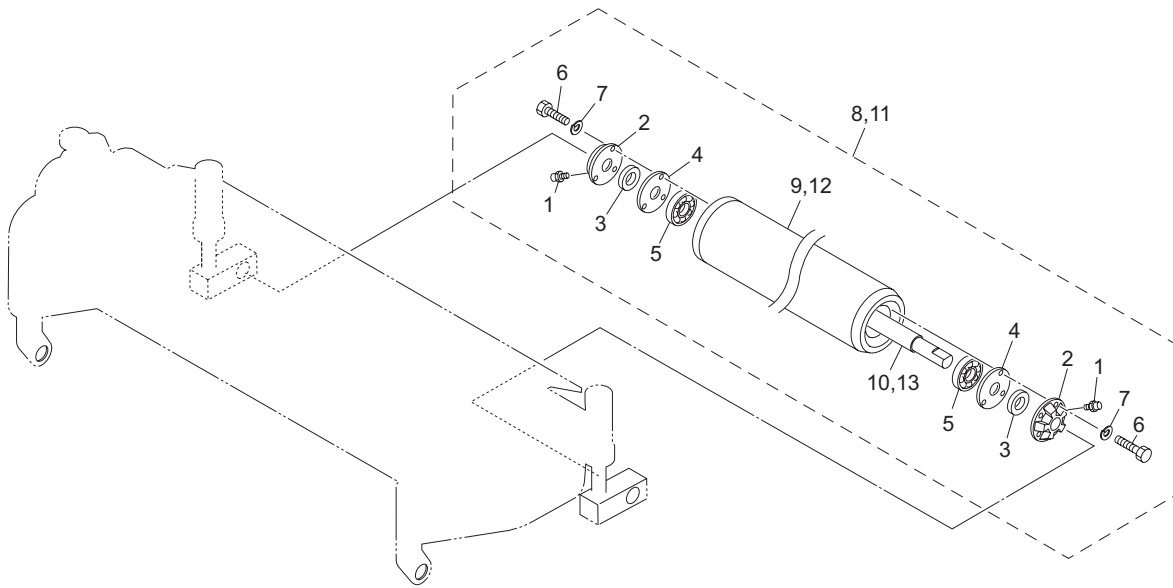
30-2. Front roller section 26inch (#2,#3)

LM281



LM281_030-2_z01

Cat No.	Code No.	Part name	Qty	Remark	SN of application
30-2-1	K0402035001	RING, RETAINING R M35	4		
30-2-2	K0822235080	OIL SEAL, MHS A22358	4		
30-2-3	K0600063030	BEARING, BALL 6303	4		
30-2-4	K0822547080	OIL SEAL, MHS A25478	4		
30-2-5	K0885015000	O-RING, S15	4		
30-2-6	K6219000600	COLLAR, SUS M17-25-27	4		
30-2-7	K0402047001	RING, RETAINING R M47	4		
30-2-8	LM2400-2106Z0	SHAFT, ROLLER 22-770	2		
30-2-9	K100000073D	SPRING, COMPRESSION M5-51-75	2		
30-2-10	LM2700-0151Z2	PIPE, ROLLER 34.2-40607.2	2		
30-2-11	LM2400-2102Z0	ROLLER ASSY, SLOTTED OS	2		
30-2-12	K5011040522	WASHER, SPCC 1-40-52	20	for adjustment	
30-2-13	K620200051D	HOUSING, ROLLER 75.5	4		
30-2-14	K016000062D	NUT, M40	4		
30-2-15	K510100061D	PLATE, ROUND 80	4		
30-2-16	K5920000120	ROLLER, PLASTIC 80	36		
30-2-17	K5131001882	PLATE, SPHC ROLLER BRACKET	4		
30-2-18	K0200140002	WASHER, SPRING M14	4		
30-2-19	K0160000652	NUT, SPECIAL M14-30	4		
30-2-20	K0000100252	BOLT, M10-25	8		
30-2-21	K0102100002	NUT, M10-3	8		
30-2-22	K0200100002	WASHER, SPRING M10	8		
30-2-23	K5000100002	WASHER, M10	8		
30-2-24	K1440000010	GREASE NIPPLE, STRAIGHT TYPE A	4		

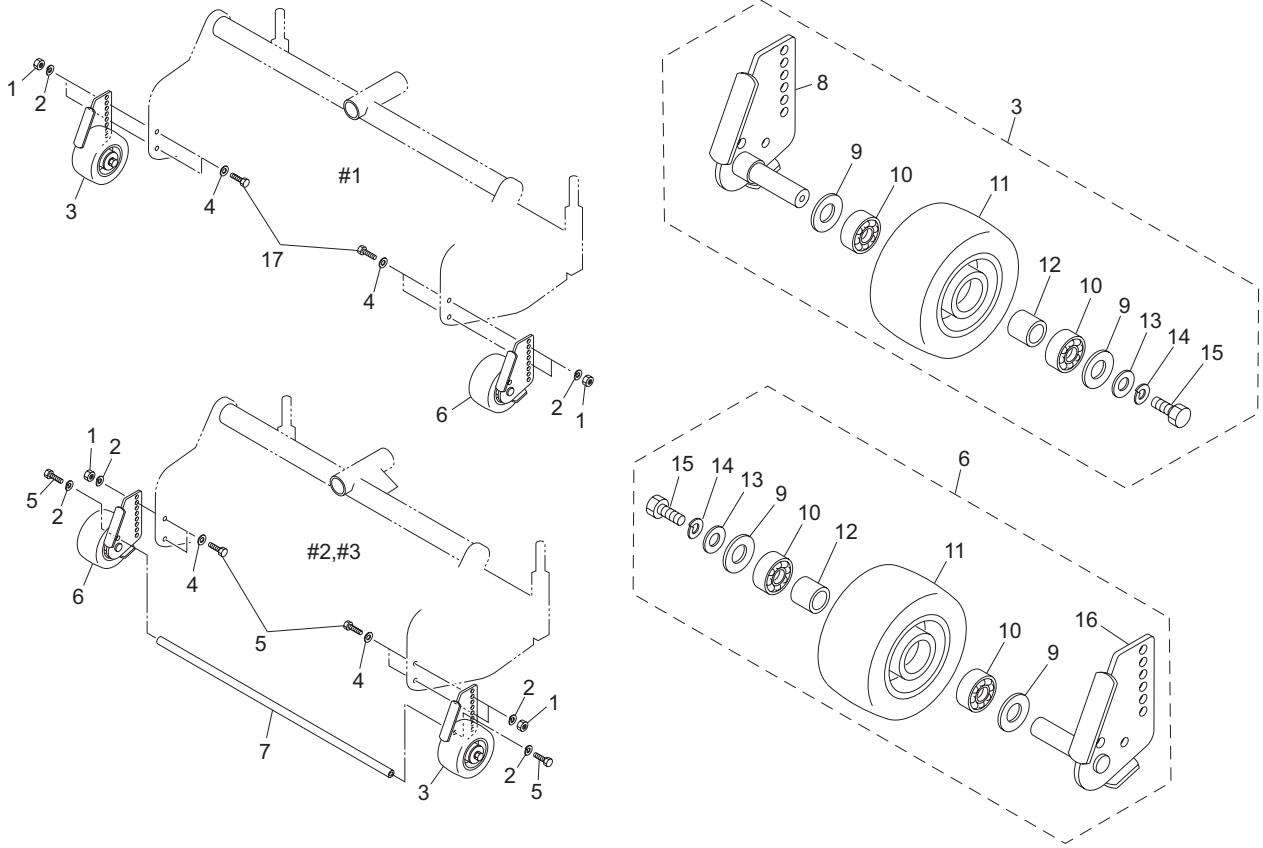


LM281_031_z00

Cat No.	Code No.	Part name	Qty	Remark	SN of application
31-1	K144000010	GREASE NIPPLE, STRAIGHT TYPE A	6	#1,#2,#3 Mower	
31-2	K681000070	HOUSING, SEAL	6	#1,#2,#3 Mower	
31-3	K0821730080	OIL SEAL, MHS17308	6	#1,#2,#3 Mower	
31-4	K4015136650	PACKING, FIBER 1-36-65	6	#1,#2,#3 Mower	
31-5	K0602062030	BEARING, BALL SHIELD Z 6203	6	#1,#2,#3 Mower	
31-6	K0000060122	BOLT, M6-12	18	#1,#2,#3 Mower	
31-7	K0200060002	WASHER, SPRING M6	18	#1,#2,#3 Mower	
31-8	K8021000520	ROLLER ASSY, 764	2	#2,#3 Mower	
31-9	K740000024D	ROLLER, 76.2-674	2	#2,#3 Mower	
31-10	K6155000280	SHAFT, ROLLER 764	2	#2,#3 Mower	
31-11	K8021000530	ROLLER ASSY, 872	1	#1 Mower (for 30inch)	
31-12	K740000025D	ROLLER, 76.2-782	1	#1 Mower (for 30inch)	
31-13	K6155000290	SHAFT, ROLLER 872	1	#1 Mower (for 30inch)	

32. Mower wheel section

LM281

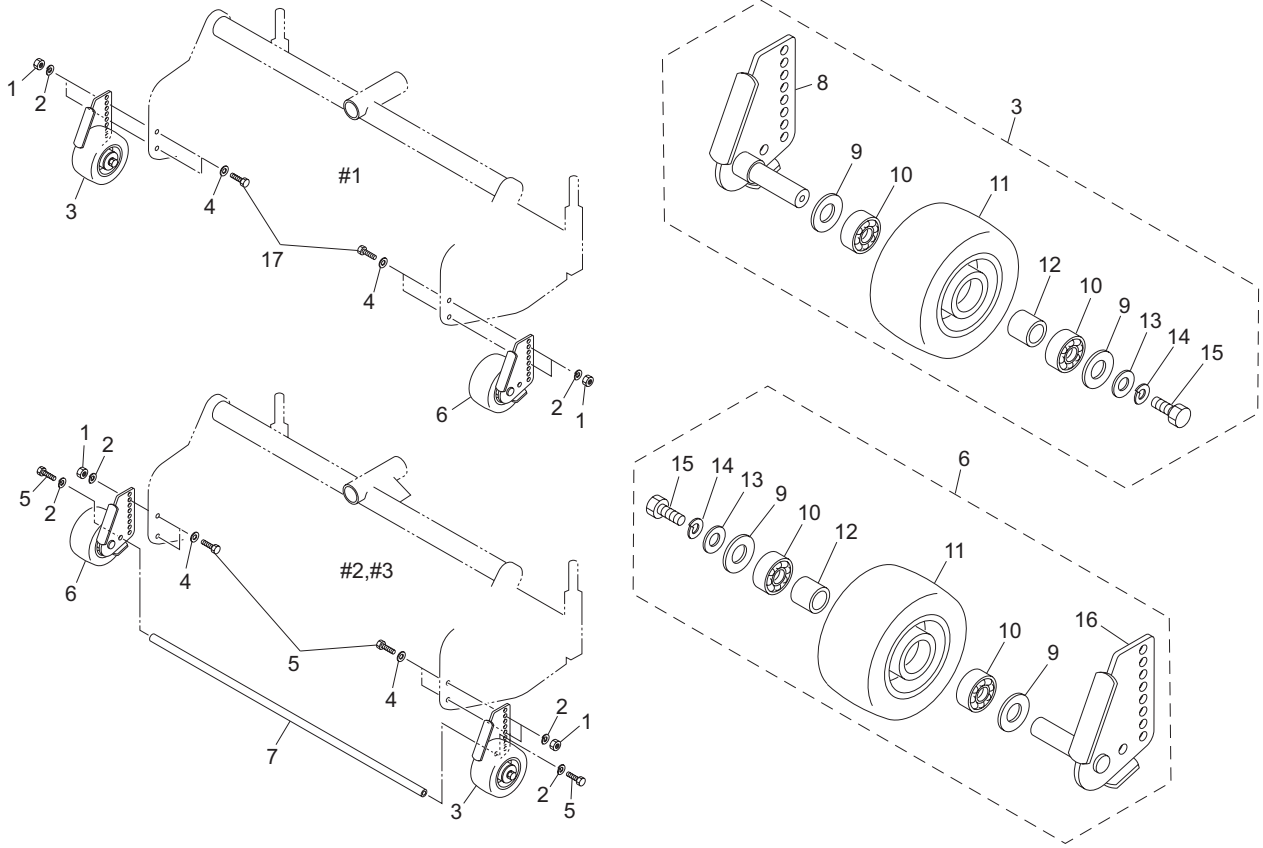


LM281_032_z00

Cat No.	Code No.	Part name	Qty	Remark	SN of application
32-1	K0100100002	NUT, M10	4		
32-2	K0200100002	WASHER, SPRING M10	4		
32-3	LM281--2610A0	CASTER WHEEL ASSY, (LH)	1		
32-4	K5000100002	WASHER, M10	4		
32-5	K0000100252	BOLT, M10-25	4		
32-6	LM281--2611A0	CASTER WHEEL ASSY, (RH)	1		
32-7	LM526R-0110Z2	PIPE, STAY	1		
32-8	LM281--2601A2	BRACKET, CASTER WHEEL (LH)	1		
32-9	K5030520430	WASHER, C2801P 0.5-20-43	4		
32-10	K0612062040	BEARING, BALL SEAL 2RD 6204	4		
32-11	K2110000030	WHEEL, RUBBER 150	2		
32-12	K6212000640	COLLAR, STKM M20.2-25.4-33	2		
32-13	K6204000212	WASHER, CLAMPING WHEEL	2		
32-14	K0200080002	WASHER, SPRING M8	2		
32-15	K0000080202	BOLT, M8-20	2		
32-16	LM281--2602A2	BRACKET, CASTER WHEEL (RH)	1		
32-17	K0000100352	BOLT, M10-35	4		

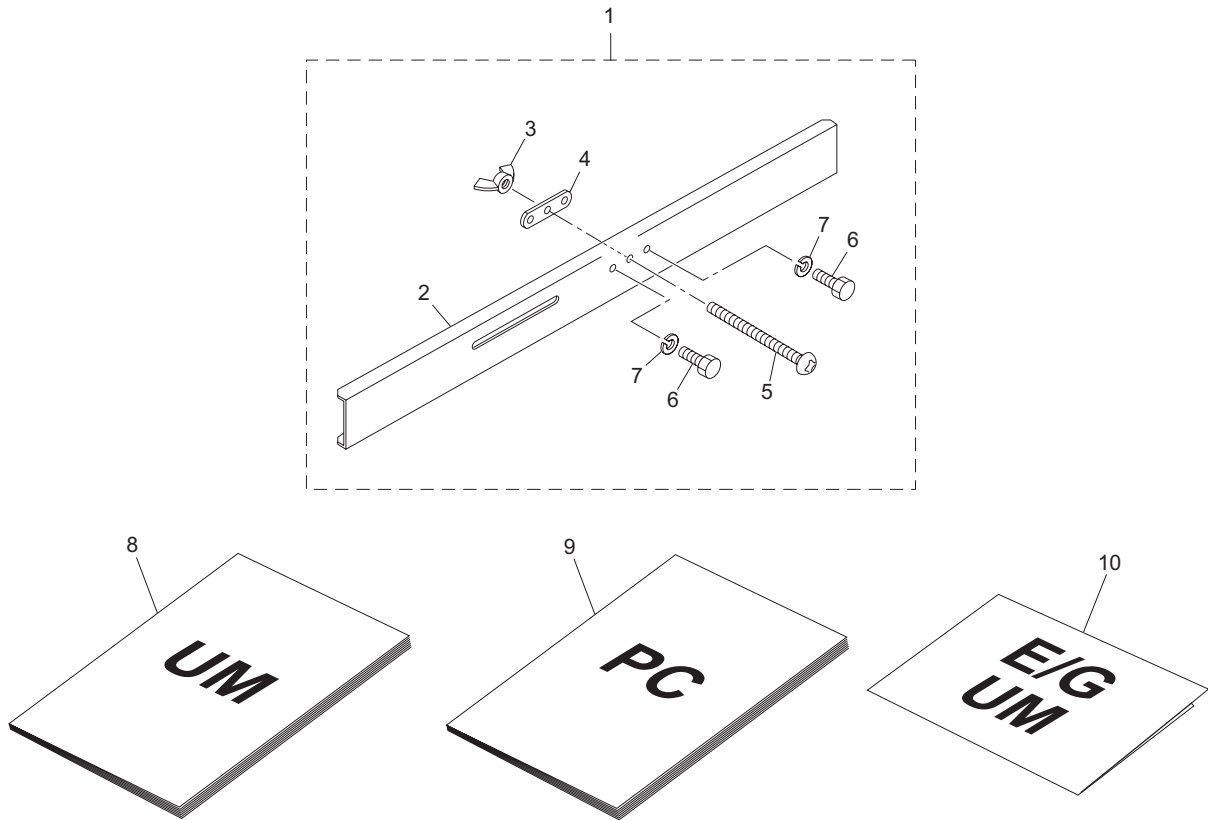
A32. Mower wheel section

LM281



LM281_A32_a00

Cat No.	Code No.	Part name	Qty	Remark	SN of application
A32-1	K0100100002	NUT, M10	4		
A32-2	K0200100002	WASHER, SPRING M10	4		
A32-3	LM281--2610A0	CASTER WHEEL ASSY, (LH)	1	30inch	
A32-4	K5000100002	WASHER, M10	4		
A32-5	K0000100252	BOLT, M10-25	4		
A32-6	LM281--2611A0	CASTER WHEEL ASSY, (RH)	1	30inch	
A32-7	LM281--2603Z2	PIPE, STAY	1	30inch	
A32-8	LM281--2601A2	BRACKET, CASTER WHEEL (LH)	1	30inch	
A32-9	K5030520430	WASHER, C2801P 0.5-20-43	4		
A32-10	K0612062040	BEARING, BALL SEAL 2RD 6204	4		
A32-11	K2110000030	WHEEL, RUBBER 150	2		
A32-12	K6212000640	COLLAR, STKM M20.2-25.4-33	2		
A32-13	K6204000212	WASHER, CLAMPING WHEEL	2		
A32-14	K0200080002	WASHER, SPRING M8	2		
A32-15	K0000080202	BOLT, M8-20	2		
A32-16	LM281--2602A2	BRACKET, CASTER WHEEL (RH)	1	30inch	
A32-17	K0000100352	BOLT, M10-35	4		

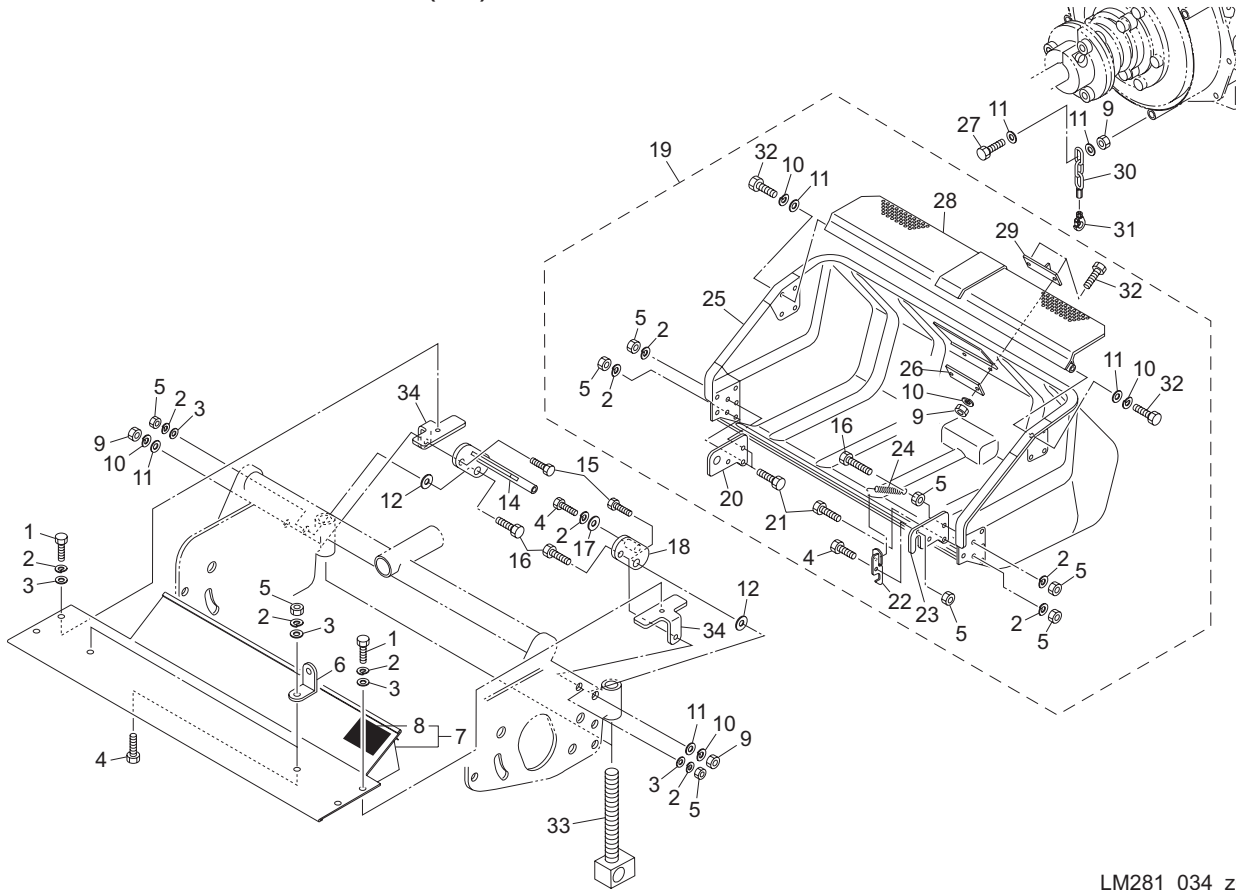


LM281_033_z01

Cat No.	Code No.	Part name	Qty	Remark	SN of application
33-1	K4825000060	GAUGE ASSY, CUTTING HEIGHT 600	1		
33-2	K482500003D	GAUGE, CUTTING HEIGHT 600	1		
33-3	K0141060002	NUT, WING M6-3	1		
33-4	K4825000042	PLATE, MOUNTING SCREW	1		
33-5	K0071000522	SCREW, FOR CUTTING HEIGHT ADJUST M6-75	1		
33-6	K0000060102	BOLT, M6-10	2		
33-7	K0200060002	WASHER, SPRING M6	2		
33b-8	750101-102-A	OWNERS OPERATING MANUAL, LM281	1		
33b-9	750101-102-B	PARTS CATALOG, LM281	1		
33-10	PF1G398-8911-3	OWNERS OPERATING MANUAL FOR ENGINE (JAPANESE)	1		

34. Grass catcher section (#1)

LM281

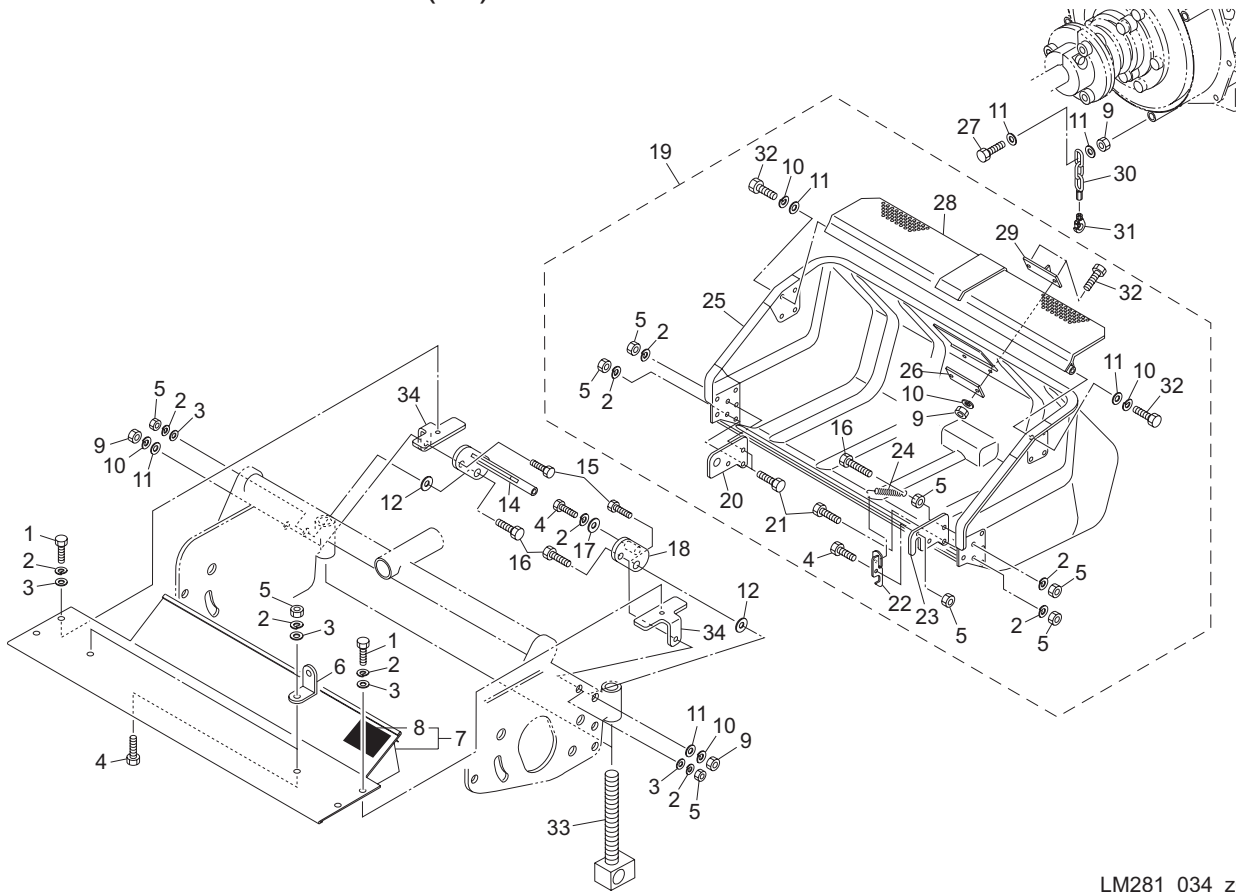


LM281_034_z02

Cat No.	Code No.	Part name	Qty	Remark	SN of application
34-1	K0000060102	BOLT, M6-10	2		
34-2	K0200060002	WASHER, SPRING M6	11		
34-3	K5000060002	WASHER, M6	6		
34-4	K0000060152	BOLT, M6-15	4		
34-5	K0100060002	NUT, M6	10		
34-6	K527600041R	PLATE, FOR FIXING COVER	2		
34-7	LM283--1902C0	COVER, REEL W/DECAL (REAR)	1		
34-8	K4205001600	DECAL, CAUTION TO MUTILATION	1		
34-9	K0100080002	NUT, M8	6		
34-10	K0200080002	WASHER, SPRING M8	6		
34-11	K5000080002	WASHER, M8	6		
34-12	K5074510262	WASHER, SPHC 4.5-10-26	2		
34-13					
34-14	LM318--1302Z2	MOUNT, REAR GRASS CATCHER (RH)	1		
34-15	K0000080302	BOLT, M8-30	2		
34-16	K0000060252	BOLT, M6-25	3		
34-17	K5012306322	WASHER, SPCC 2.3-6-32	1		
34-18	LM318--1301Z2	MOUNT, REAR GRASS CATCHER (LH)	1		
34-19	LM318--1312Z0	GRASS CATCHER ASSY, REAR	1		
34-20	LM318--1338Z2	PLATE, MOUNTING	1		
34-21	K0000060202	BOLT, M6-20	3		
34-22	LM318--1340ZR	STOPPER	1		
34-23	LM318--1339Z2	HOOK, GRASS CATCHER	1		
34-24	K1040000068	SPRING, W/HOOK M1-10-52	1		
34-25	K7900000100	GRASS CATCHER ASSY, REAR	1		
34-26	K5141000202	PLATE, MOUNTING	1		
34-27	K0003080852	BOLT, M8-85	1		
34-28	K716300027D	COVER, REINFORCED FOR BASKET	1		
34-29	K7355000242	FITTING	1		
34-30	K7304000072	CHAIN, W/NUT M6	1		

34. Grass catcher section (#1)

LM281

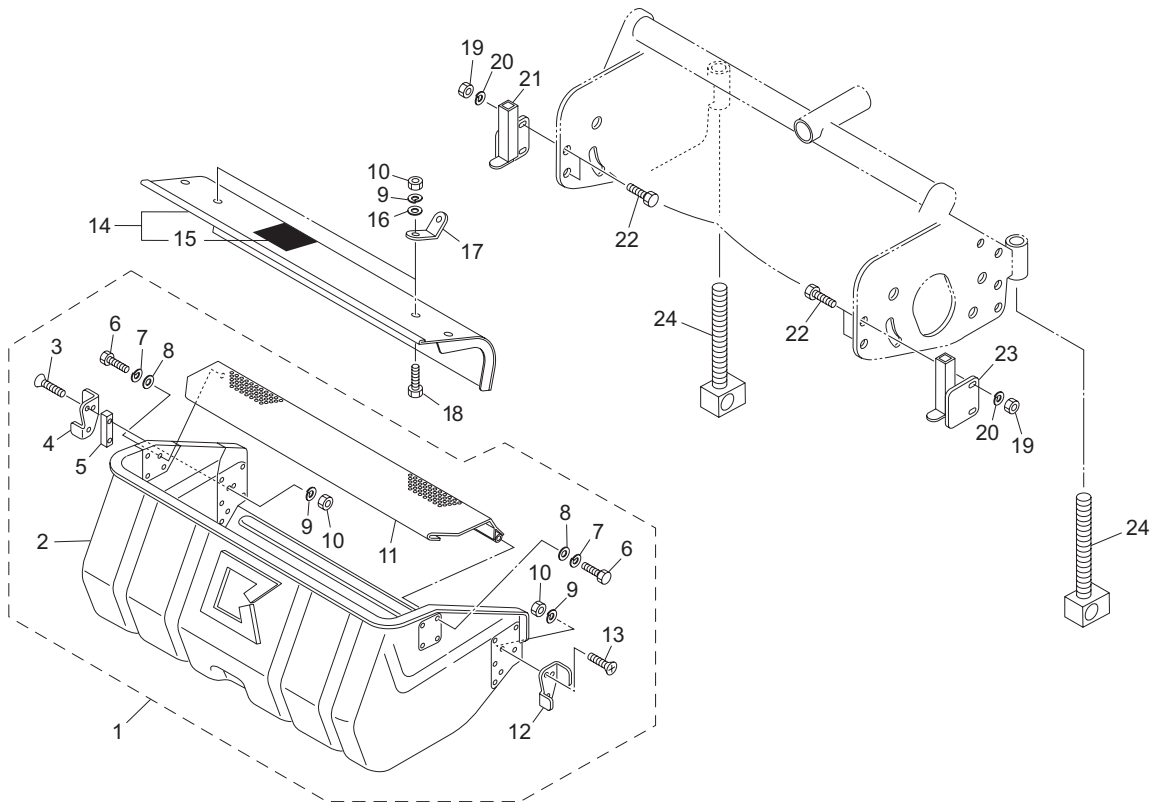


LM281_034_z02

Cat No.	Code No.	Part name	Qty	Remark	SN of application
34-31	K1520000130	HOOK, CHAIN	1		
34-32	K0000080202	BOLT, M8-20	4		
34-33	K7303000152	SCREW, ADJUSTING CUTTING HEIGHT	2		
34-34	K5206000762	PLATE, RECEIVING L SHAPED METAL	2		

35. Grass catcher section (#2/#3)

LM281

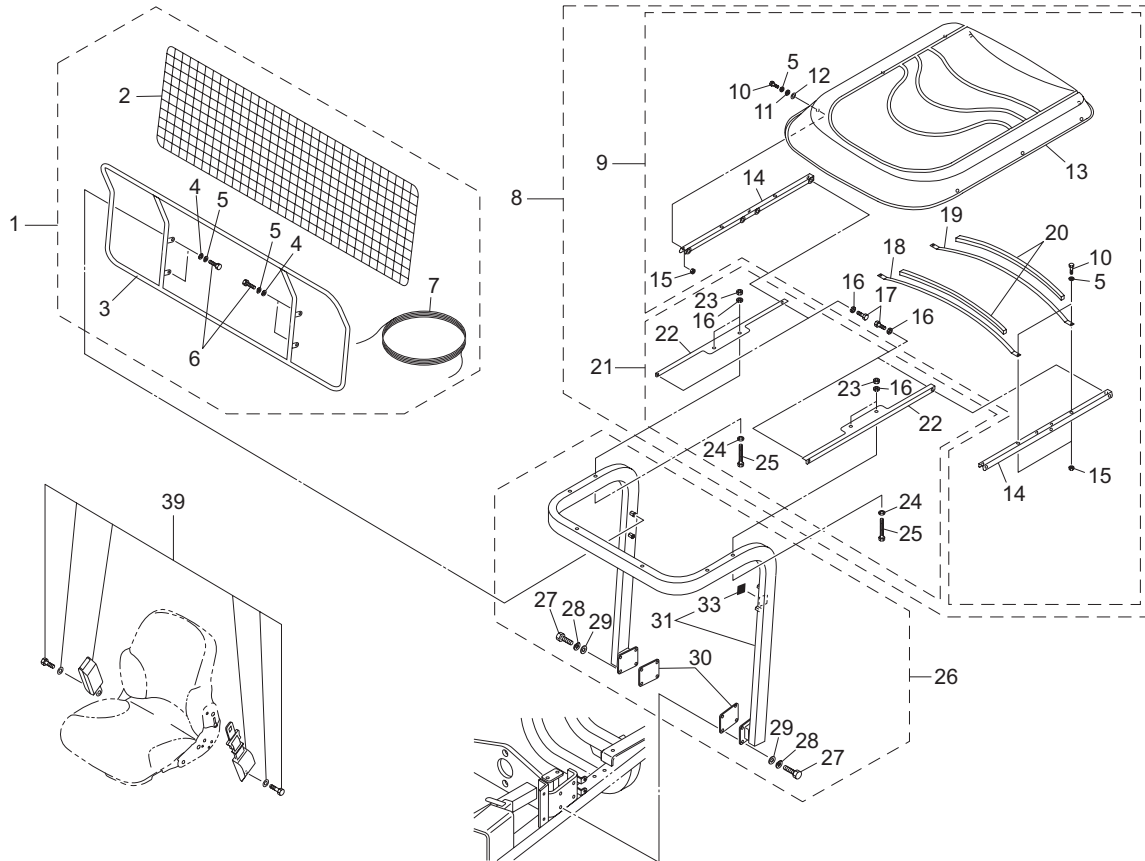


LM281_035_z01

Cat No.	Code No.	Part name	Qty	Remark	SN of application
35-1	K8460000010	GRASS CATCHER ASSY, FRONT	1		
35-2	K7900000020	GRASS CATCHER COMP, 660	1		
35-3	K0041060352	SCREW, + FLAT HEAD M6-35	2		
35-4	K527600002D	LATCH, (RH)	1		
35-5	K60900000473	SPACER	1		
35-6	K0000080202	BOLT, M8-20	2		
35-7	K0200080002	WASHER, SPRING M8	2		
35-8	K5000080002	WASHER, M8	2		
35-9	K0200060002	WASHER, SPRING M6	6		
35-10	K0100060002	NUT, M6	6		
35-11	K716300005D	COVER, BASKET 675	1		
35-12	K527600001D	LATCH, (LH)	1		
35-13	K0041060202	SCREW, + FLAT HEAD M6-20	2		
35-14	LM283--1901A0	COVER, REEL W/DECAL (FRONT)	1		
35-15	K4205001600	DECAL, CAUTION TO MUTILATION	1		
35-16	K5000060002	WASHER, M6	2		
35-17	LM318--1304AR	FIXTURE, REEL COVER	2		
35-18	K0000060152	BOLT, M6-15	2		
35-19	K0100100002	NUT, M10	4		
35-20	K0200100002	WASHER, SPRING M10	4		
35-21	LM318--1311Z2	MOUNT, GRASS CATCHER (RH)	1		
35-22	K0000100302	BOLT, M10-30	4		
35-23	LM318--1310Z2	MOUNT, GRASS CATCHER (LH)	1		
35-24	K7303000152	SCREW, ADJUSTING CUTTING HEIGHT	2		

36. Roof Assy section

LM281

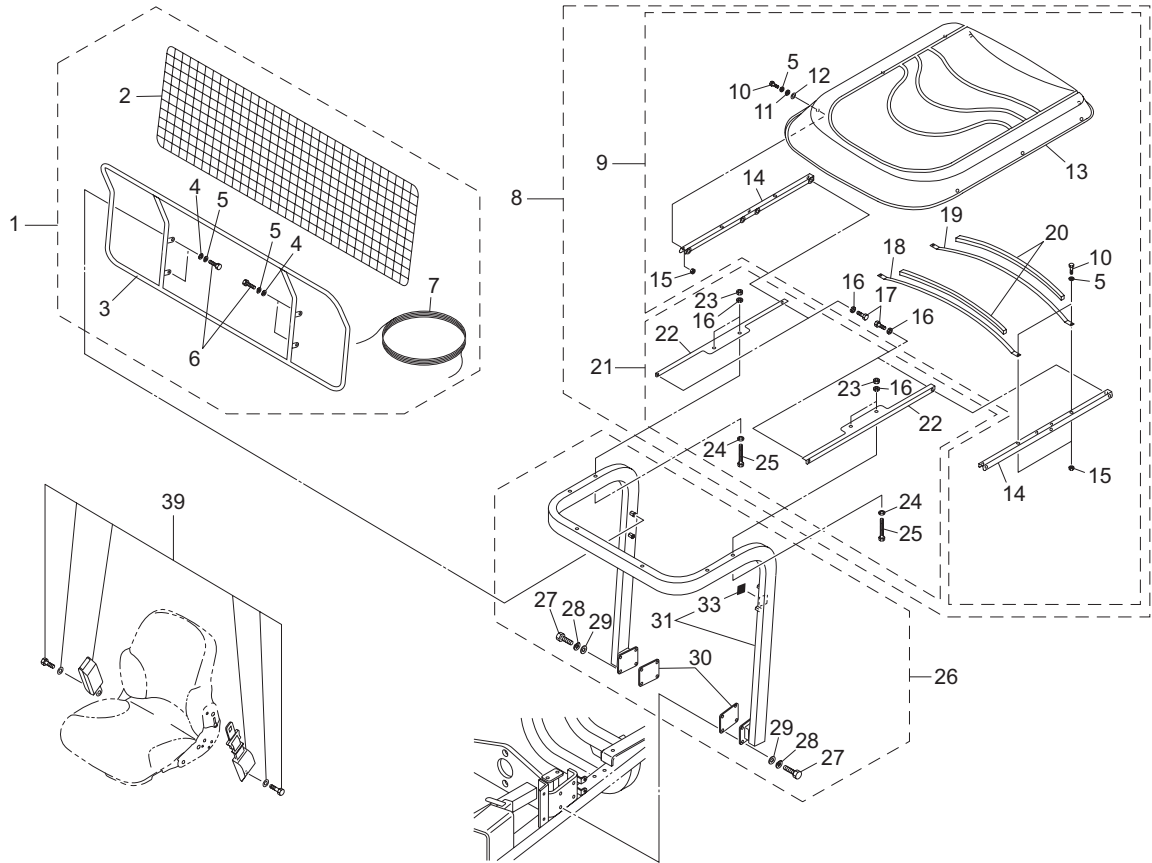


LM281_036_z03

Cat No.	Code No.	Part name	Qty	Remark	SN of application
36-1	LM285--1705A0	PROTECTIVE NET KIT	1		
36-2	K4130000010	NET, BALL-PROOF 500*1375	1		
36-3	K789900120D	FRAME, FOR BALL PROOF NET	1		
36-4	K5000080002	WASHER, M8	4		
36-5	K0200080002	WASHER, SPRING M8	14		
36-6	K0000080152	BOLT, M8-15	4		
36-7	K4140000010	ROPE, 2-6700	2		
36-8	K9120000060	ROOF AND FRAME ASSY	1		
36-9	K9120000030	ROOF ASSY	1		
36-10	K0000080202	BOLT, M8-20	10		
36-11	K5012308322	WASHER, SPCC 2.3-8-32	6		
36-12	K1900000130	RUBBER, FOR ROOF	6		
36-13	K1900000080	ROOF	1		
36-14	K190000011D	SUPPORT, HOOD	2		
36-15	K0100080002	NUT, M8	10		
36-16	K0200100002	WASHER, SPRING M10	8		
36-17	K0000100202	BOLT, M10-20	4		
36-18	K190000010D	ARCH, B	1		
36-19	K190000009D	ARCH, A	1		
36-20	K1900000120	SPONGE, URETHANE 20-20840	2		
36-21	K9120000050	BRACKET SET, FOR AWNING FRAME	1		
36-22	K520500040D	PLATE, FOR FIXING ROOF	2		
36-23	K0100100002	NUT, M10	4		
36-24	K5000100002	WASHER, M10	4		
36-25	K0000101002	BOLT, M10-100	4		
36-26	LM283--1602A0	ROPS ASSY, 2 POST	1		
36-27	K0010120402	BOLT, HT M12-40	8		
36-28	K0200120002	WASHER, SPRING M12	8		
36-29	K5000120002	WASHER, M12	8		
36-30	K640000011D	SPACER	2		

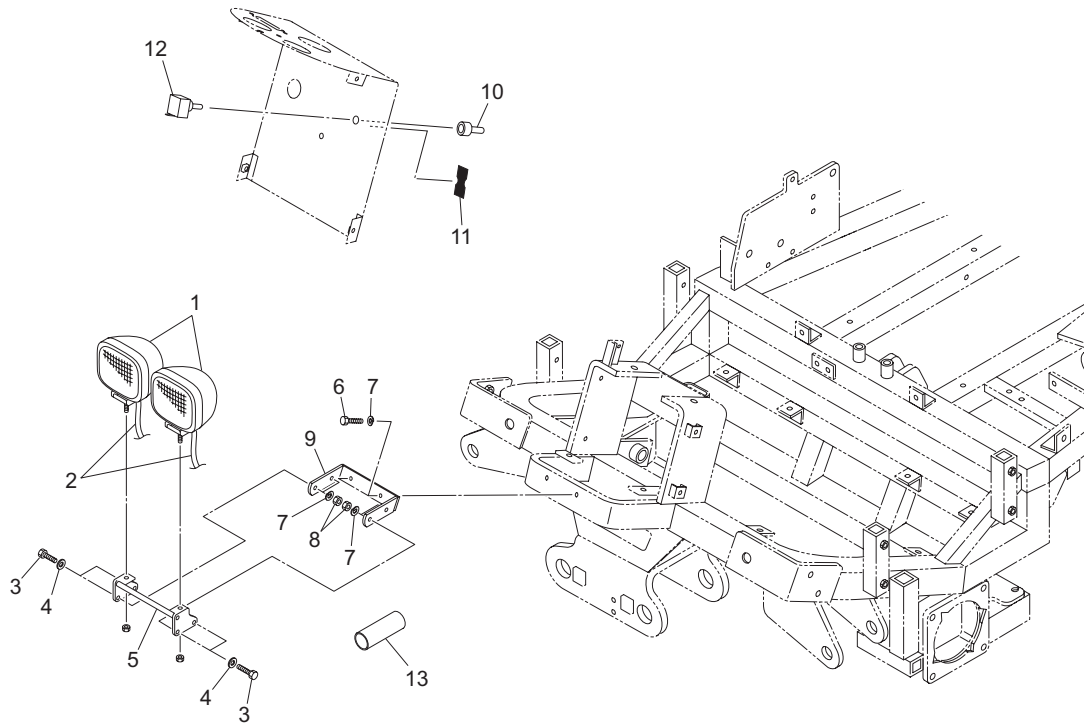
36. Roof Assy section

LM281



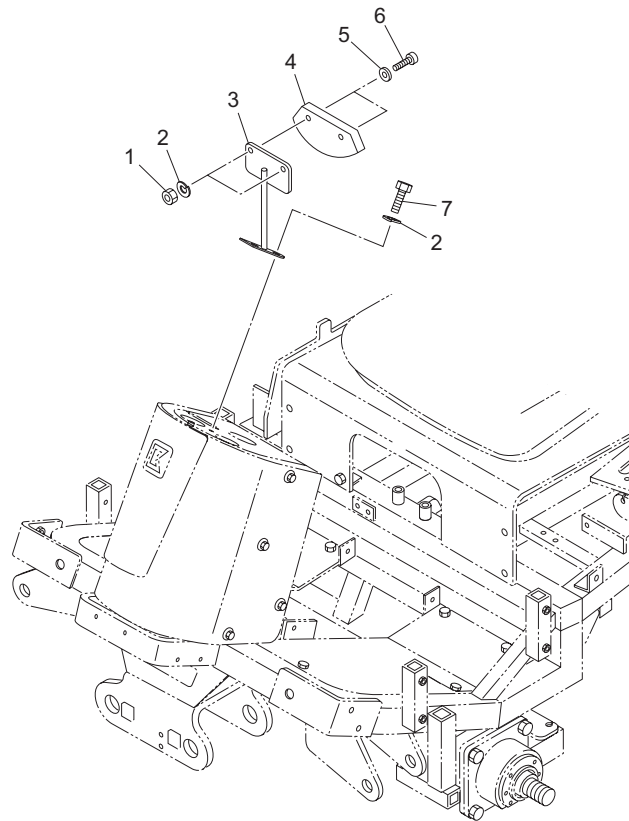
LM281_036_z03

Cat No.	Code No.	Part name	Qty	Remark	SN of application
36-31	K9310000040	ROPS, 2 POSTS W/ MARK	1		
36-32					
36-33	K4205001710	DECAL, CAUTION TO ROPS	1		
36-34					
36-35					
36-36					
36-37					
36-38					
36-39	K1701000190	SEATBELT, SEARS WINDING TYPE	1		



LM281_037_z01

Cat No.	Code No.	Part name	Qty	Remark	SN of application
37-1	K3640000070	LAMP, WORKING WL-B220A	2		
37-2	K3194001000	TUBE, CORRUGATED 7-100	2		
37-3	K0000080252	BOLT, M8-25	4		
37-4	K5000080002	WASHER, M8	4		
37-5	LM2700-1701ZD	BRACKET, LAMP	1		
37-6	K0000080152	BOLT, M8-15	2		
37-7	K0200080002	WASHER, SPRING M8	6		
37-8	K0100080002	NUT, M8	4		
37-9	LM285--1102ZD	STAY, LAMP	1		
37-10	K4031000300	RUBBER, CAP WD1911	1		
37-11	K4203001410	STICKER, LIGHT SWITCH	1		
37-12	K3662000060	SWITCH, TOGGLE ST115AT	1		
37-13	K3172601500	HOSE, VINYL 50*57-150	1	Cover for binding hydraulic hoses	

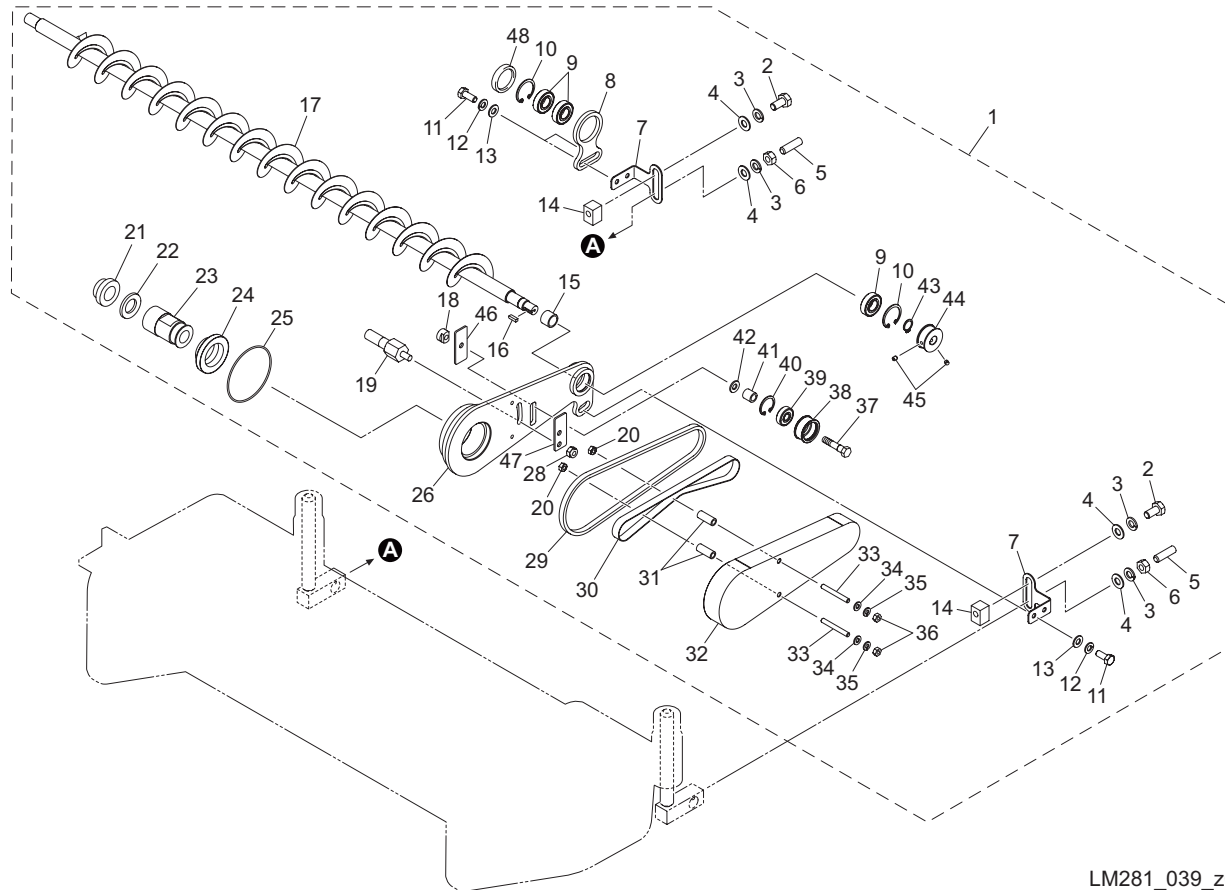


LM281_038_z00

Cat No.	Code No.	Part name	Qty	Remark	SN of application
38-1	K0100060002	NUT, M6	2		
38-2	K0200060002	WASHER, SPRING M6	4		
38-3	LM285--2201ZD	STAY, GAUGE	1		
38-4	K3654000020	LEVEL	1		
38-5	K5000060002	WASHER, M6	2		
38-6	K0042060252	SCREW, + ROUND HEAD M6-25	2		
38-7	K0060060120	BOLT, SUS W/HEX HOLE M6-12	2		

39. CR brush section 30inch (#1)

LM281

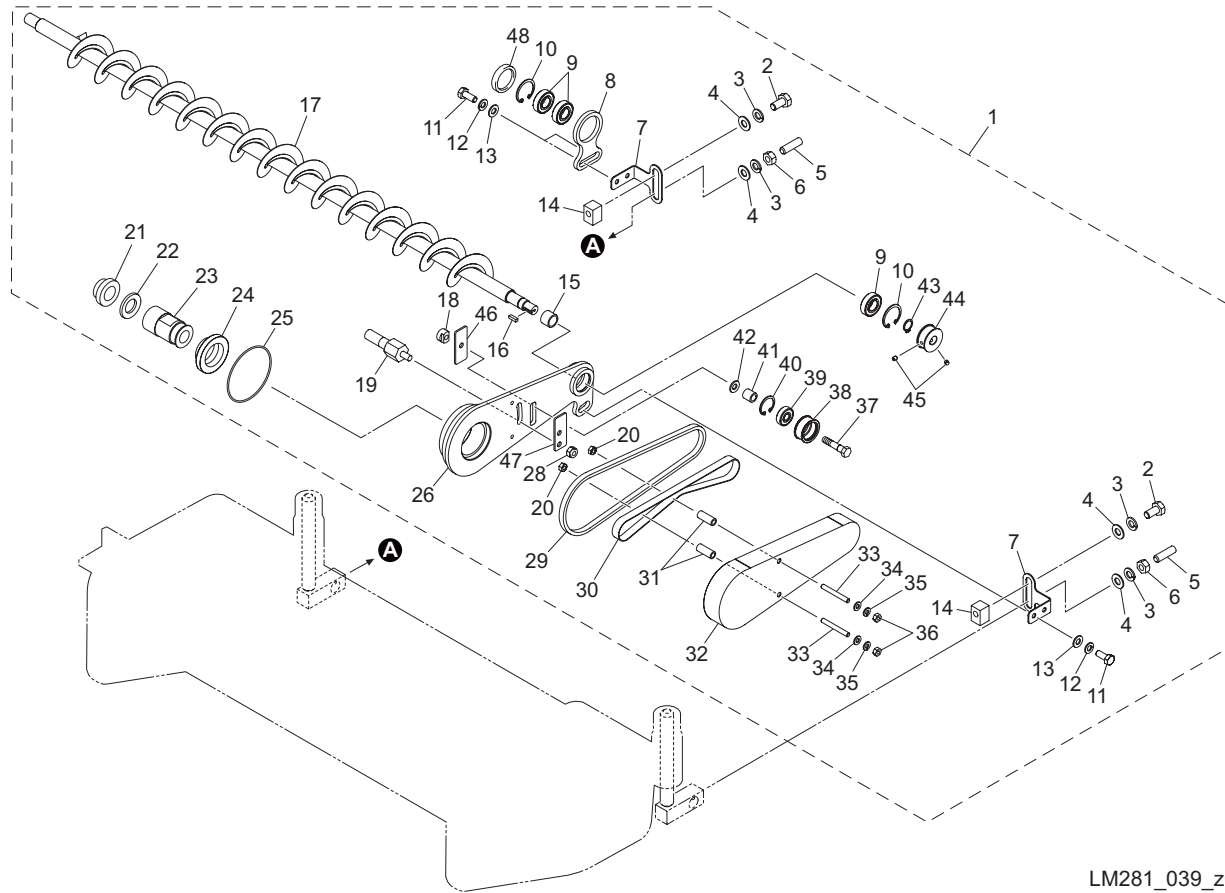


LM281_039_z02

Cat No.	Code No.	Part name	Qty	Remark	SN of application
39-1	LM281--3006A0	BRUSH COMP, CR 30 (LH)	1	for #1 Mower	
39-2	K0000100202	BOLT, M10-20	2		
39-3	K0200100002	WASHER, SPRING M10	4		
39-4	K5000100002	WASHER, M10	4		
39-5	K0023100351	SETSCREW, M10-35	2		
39-6	K0100100002	NUT, M10	2		
39-7	LM2400-2406ZD	ADJUSTER, BRUSH	2		
39-8	LM2400-2403AD	HOUSING, BRUSH	1		
39-9	K0612060020	BEARING, BALL SEAL 2RD 6002	3		
39-10	K0402032001	RING, RETAINING R M32	2		
39-11	K0000080202	BOLT, M8-20	3		
39-12	K0200080002	WASHER, SPRING M8	3		
39-13	K5000080002	WASHER, M8	3		
39-14	LM2400-2412Z2	SCREW, ADJUSTING CUTTING HEIGHT	2		
39-15	LM2400-2411Z2	COLLAR, 15-19-14	1		
39-16	K0520404140	KEY, ROUND/SQUARE, M4-414	1		
39-17	K4150000290	BRUSH, CR 30	1		
39-18	LM2700-4109Z2	BASE, SCREW	1		
39-19	LM2400-2409Z2	BOLT, AXIS	1		
39-20	K0100060002	NUT, M6	2		
39-21	LM2400-2408Z2	COLLAR, STEPPED	1		
39-22	K0212200002	WASHER, DISK SPRING 1L M20	1		
39-23	LM2400-2407Z2	PULLEY, DRIVING 30	1		
39-24	K0823555080	OIL SEAL, MHSA355508	1		
39-25	K0885080000	O-RING, S80	1		
39-26	LM2400-2402ZD	FRAME, BRUSH (LH)	1		
39-27					
39-28	K0144080002	NUT, W/F-RING M8	1		
39-29	LM2700-4123Z0	RUBBER, 8U-615	1		
39-30	K2380000030	BELT, F STAR 10FL-500	1		

39. CR brush section 30inch (#1)

LM281

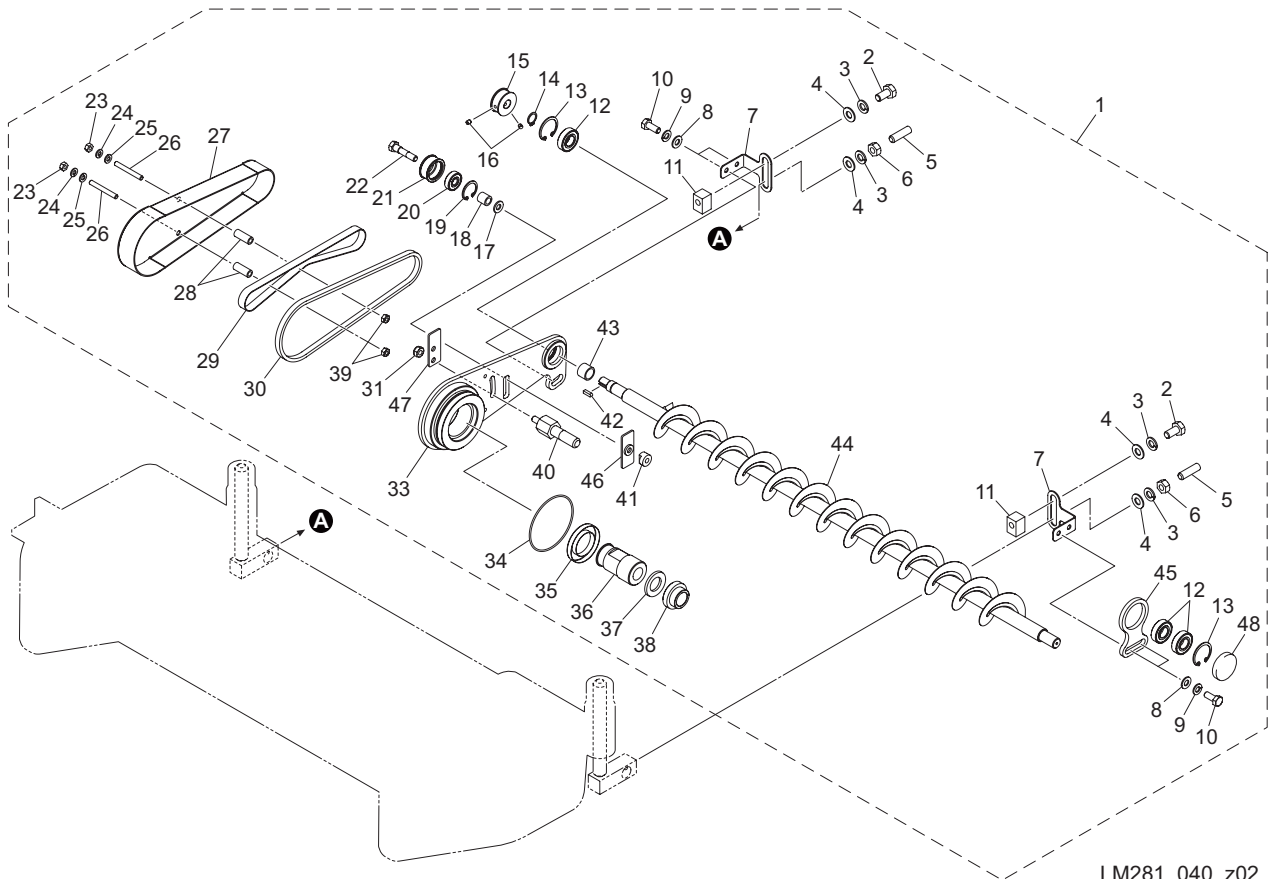


LM281_039_z02

Cat No.	Code No.	Part name	Qty	Remark	SN of application
39-31	K6211000492	COLLAR, SGP M6.5-10.5-26.4	2		
39-32	LM2400-2405ZD	COVER, BELT	1		
39-33	K0023060502	SETSCREW, M6-50	2		
39-34	K0200060002	WASHER, SPRING M6	2		
39-35	K5000060002	WASHER, M6	2		
39-36	K0100060002	NUT, M6	2		
39-37	LM2700-4111Z8	BOLT, SPECIAL M8	1		
39-38	LM2700-4108Z2	PULLEY, TENSION 1232	1		
39-39	K0608006290	BEARING, BALL SEAL 2RS 629	1		
39-40	K0402026001	RING, RETAINING R M26	1		
39-41	K6211000482	COLLAR, SGP M9.2-13.8-14	1		
39-42	K0213080002	WASHER, DISK SPRING 1H M8	1		
39-43	K0401015001	RING, RETAINING S M15	1		
39-44	LM2400-2410A2	PULLEY, BRUSH SHAFT	1		
39-45	K0023050061	SETSCREW, M5-6	2		
39-46	LH669L-1206Z2	PLATE	1		
39-47	LS66---4205Z2	PLATE, DUST-PROOF	1		
39-48	K0890000040	CAP, RUBBER 32	1		

40. CR brush section 26inch (#2)

LM281

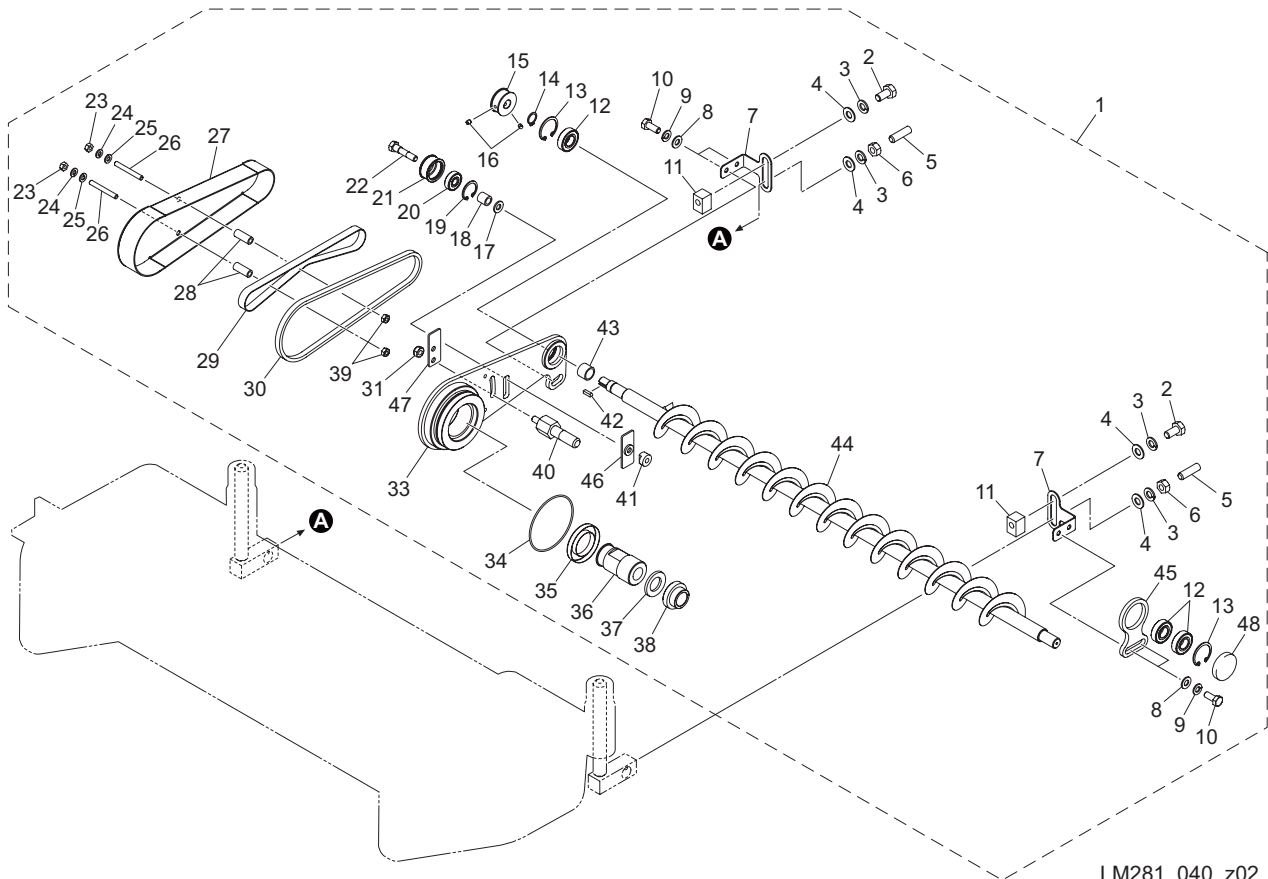


LM281_040_z02

Cat No.	Code No.	Part name	Qty	Remark	SN of application
40-1	LM2400-2441A0	CR BRUSH COMP, 26 (RH)	1	for #2 Mower	
40-2	K0000100202	BOLT, M10-20	2		
40-3	K0200100002	WASHER, SPRING M10	4		
40-4	K5000100002	WASHER, M10	4		
40-5	K0023100351	SETSCREW, M10-35	2		
40-6	K0100100002	NUT, M10	2		
40-7	LM2400-2406ZD	ADJUSTER, BRUSH	2		
40-8	K5000080002	WASHER, M8	3		
40-9	K0200080002	WASHER, SPRING M8	3		
40-10	K0000080202	BOLT, M8-20	3		
40-11	LM2400-2412Z2	SCREW, ADJUSTING CUTTING HEIGHT	2		
40-12	K0612060020	BEARING, BALL SEAL 2RD 6002	3		
40-13	K0402032001	RING, RETAINING R M32	2		
40-14	K0401015001	RING, RETAINING S M15	1		
40-15	LM2400-2410A2	PULLEY, BRUSH SHAFT	1		
40-16	K0023050061	SETSCREW, M5-6	2		
40-17	K0213080002	WASHER, DISK SPRING 1H M8	1		
40-18	K6211000482	COLLAR, SGP M9.2-13.8-14	1		
40-19	K0402026001	RING, RETAINING R M26	1		
40-20	K0608006290	BEARING, BALL SEAL 2RS 629	1		
40-21	LM2700-4108Z2	PULLEY, TENSION 1232	1		
40-22	LM2700-4111Z8	BOLT, SPECIAL M8	1		
40-23	K0100060002	NUT, M6	2		
40-24	K5000060002	WASHER, M6	2		
40-25	K0200060002	WASHER, SPRING M6	2		
40-26	K0023060502	SETSCREW, M6-50	2		
40-27	LM2400-2405ZD	COVER, BELT	1		
40-28	K6211000492	COLLAR, SGP M6.5-10.5-26.4	2		
40-29	K2380000030	BELT, F STAR 10FL-500	1		
40-30	LM2700-4123Z0	RUBBER, 8U-615	1		

40. CR brush section 26inch (#2)

LM281

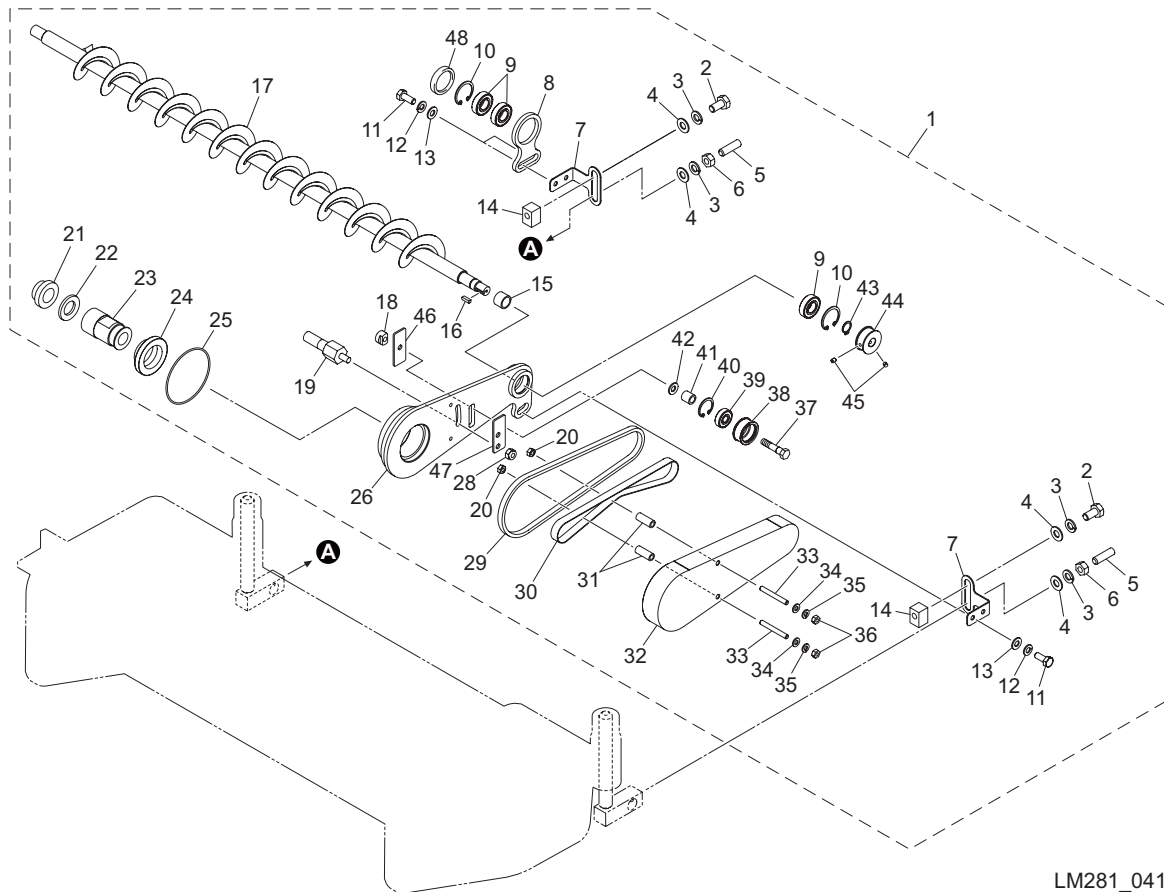


LM281_040_z02

Cat No.	Code No.	Part name	Qty	Remark	SN of application
40-31	K0144080002	NUT, W/F-RING M8	1		
40-32					
40-33	LM2400-2404ZD	FRAME, BRUSH (RH)	1		
40-34	K0885080000	O-RING, S80	1		
40-35	K0823555080	OIL SEAL, MHS355508	1		
40-36	LM2400-2407Z2	PULLEY, DRIVING 30	1		
40-37	K0212200002	WASHER, DISK SPRING 1L M20	1		
40-38	LM2400-2408Z2	COLLAR, STEPPED	1		
40-39	K0100060002	NUT, M6	2		
40-40	LM2400-2409Z2	BOLT, AXIS	1		
40-41	LM2700-4109Z2	BASE, SCREW	1		
40-42	K0520404140	KEY, ROUND/SQUARE, M4-414	1		
40-43	LM2400-2411Z2	COLLAR, 15-19-14	1		
40-44	K4150000280	BRUSH, CR 26	1		
40-45	LM2400-2403AD	HOUSING, BRUSH	1		
40-46	LH669L-1206Z2	PLATE	1		
40-47	LS66---4205Z2	PLATE, DUST-PROOF	1		
40-48	K0890000040	CAP, RUBBER 32	1		

41. CR brush section 26inch (#3)

LM281

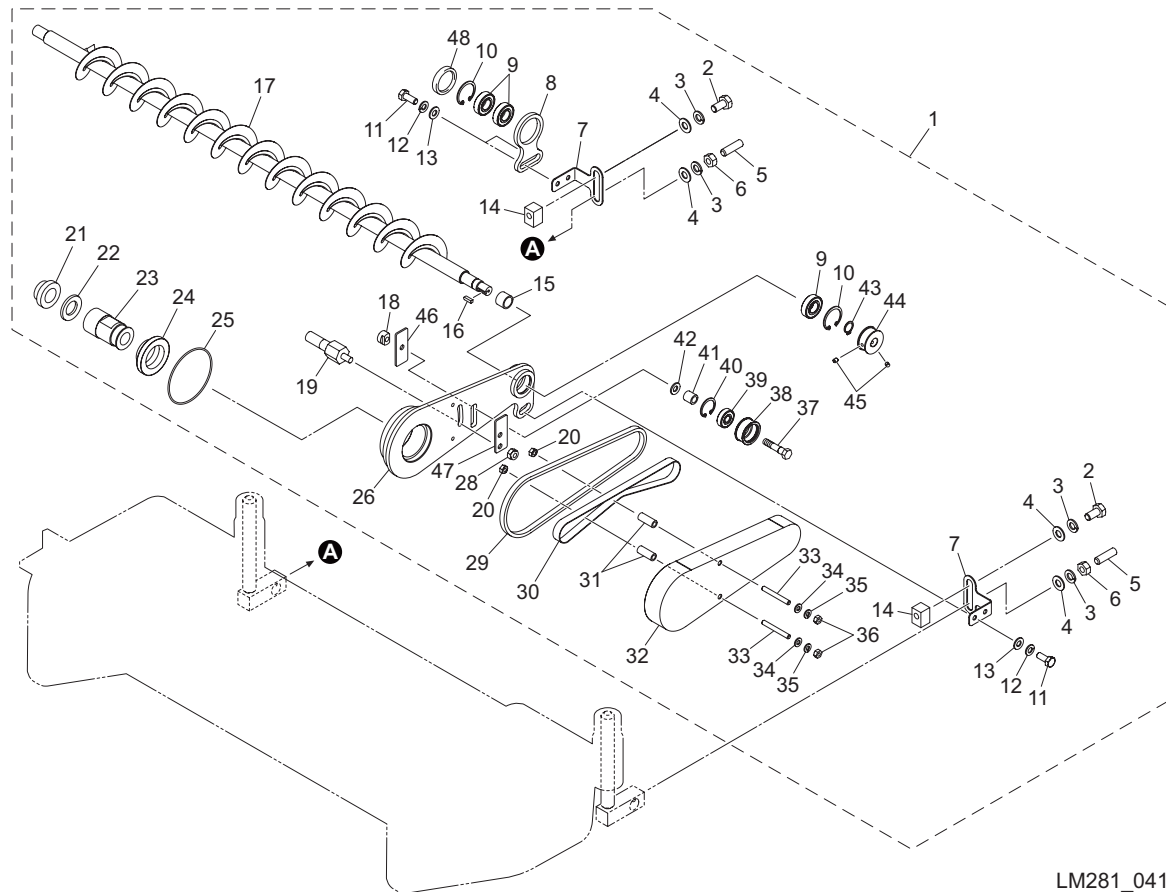


LM281_041_z02

Cat No.	Code No.	Part name	Qty	Remark	SN of application
41-1	LM2400-2440A0	CR BRUSH COMP, 26 (LH)	1	for #3 Mower	
41-2	K0000100202	BOLT, M10-20	2		
41-3	K0200100002	WASHER, SPRING M10	4		
41-4	K5000100002	WASHER, M10	4		
41-5	K0023100351	SETSCREW, M10-35	2		
41-6	K0100100002	NUT, M10	2		
41-7	LM2400-2406ZD	ADJUSTER, BRUSH	2		
41-8	LM2400-2403AD	HOUSING, BRUSH	1		
41-9	K0612060020	BEARING, BALL SEAL 2RD 6002	3		
41-10	K0402032001	RING, RETAINING R M32	2		
41-11	K0000080202	BOLT, M8-20	3		
41-12	K0200080002	WASHER, SPRING M8	3		
41-13	K5000080002	WASHER, M8	3		
41-14	LM2400-2412Z2	SCREW, ADJUSTING CUTTING HEIGHT	2		
41-15	LM2400-2411Z2	COLLAR, 15-19-14	1		
41-16	K0520404140	KEY, ROUND/SQUARE, M4-414	1		
41-17	K4150000280	BRUSH, CR 26	1		
41-18	LM2700-4109Z2	BASE, SCREW	1		
41-19	LM2400-2409Z2	BOLT, AXIS	1		
41-20	K0100060002	NUT, M6	2		
41-21	LM2400-2408Z2	COLLAR, STEPPED	1		
41-22	K0212200002	WASHER, DISK SPRING 1L M20	1		
41-23	LM2400-2407Z2	PULLEY, DRIVING 30	1		
41-24	K0823555080	OIL SEAL, MHSA355508	1		
41-25	K0885080000	O-RING, S80	1		
41-26	LM2400-2402ZD	FRAME, BRUSH (LH)	1		
41-27					
41-28	K0144080002	NUT, W/F-RING M8	1		
41-29	LM2700-4123Z0	RUBBER, 8U-615	1		
41-30	K2380000030	BELT, F STAR 10FL-500	1		

41. CR brush section 26inch (#3)

LM281

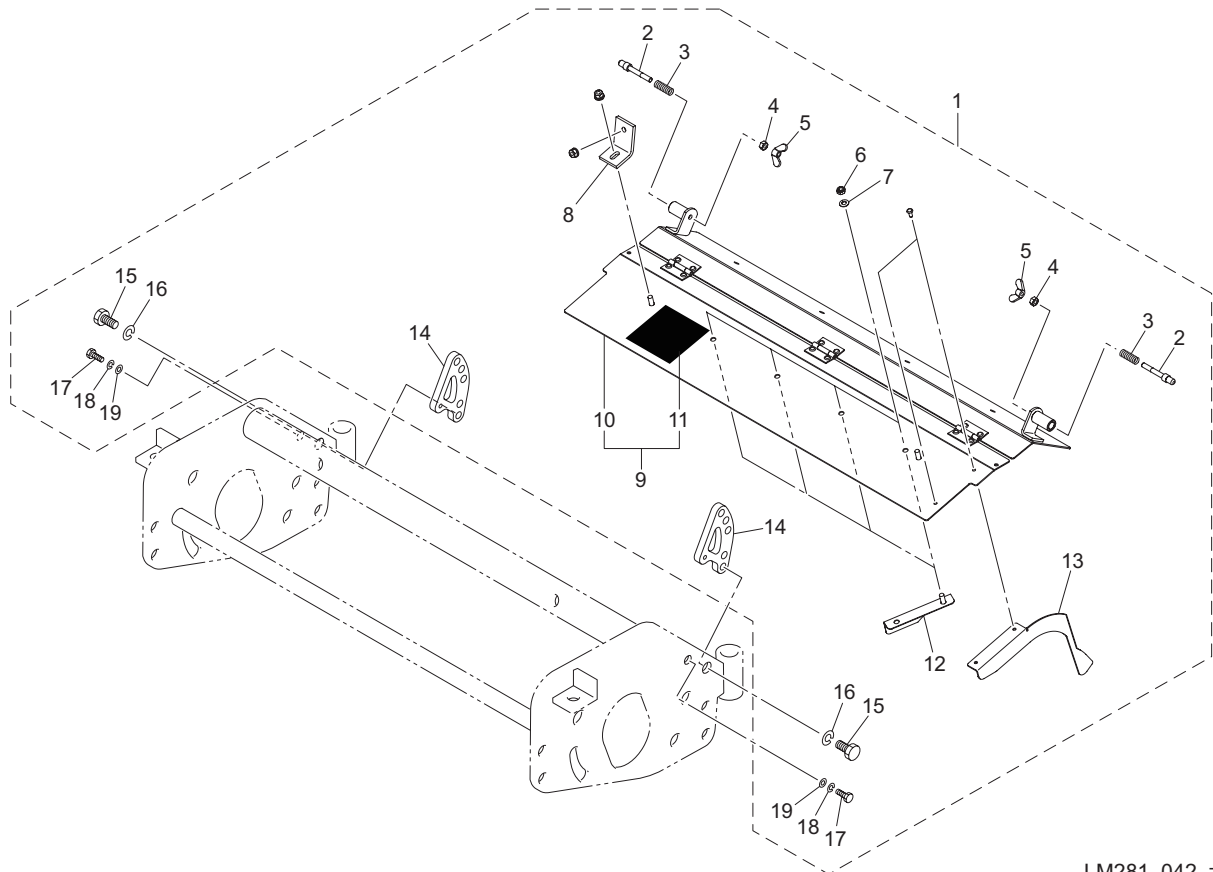


LM281_041_z02

Cat No.	Code No.	Part name	Qty	Remark	SN of application
41-31	K6211000492	COLLAR, SGP M6.5-10.5-26.4	2		
41-32	LM2400-2405ZD	COVER, BELT	1		
41-33	K0023060502	SETSCREW, M6-50	2		
41-34	K0200060002	WASHER, SPRING M6	2		
41-35	K5000060002	WASHER, M6	2		
41-36	K0100060002	NUT, M6	2		
41-37	LM2700-4111Z8	BOLT, SPECIAL M8	1		
41-38	LM2700-4108Z2	PULLEY, TENSION 1232	1		
41-39	K0608006290	BEARING, BALL SEAL 2RS 629	1		
41-40	K0402026001	RING, RETAINING R M26	1		
41-41	K6211000482	COLLAR, SGP M9.2-13.8-14	1		
41-42	K0213080002	WASHER, DISK SPRING 1H M8	1		
41-43	K0401015001	RING, RETAINING S M15	1		
41-44	LM2400-2410A2	PULLEY, BRUSH SHAFT	1		
41-45	K0023050061	SETSCREW, M5-6	2		
41-46	LH669L-1206Z2	PLATE	1		
41-47	LS66---4205Z2	PLATE, DUST-PROOF	1		
41-48	K0890000040	CAP, RUBBER 32	1		

42. Variable reel cover section (30inch)

LM281

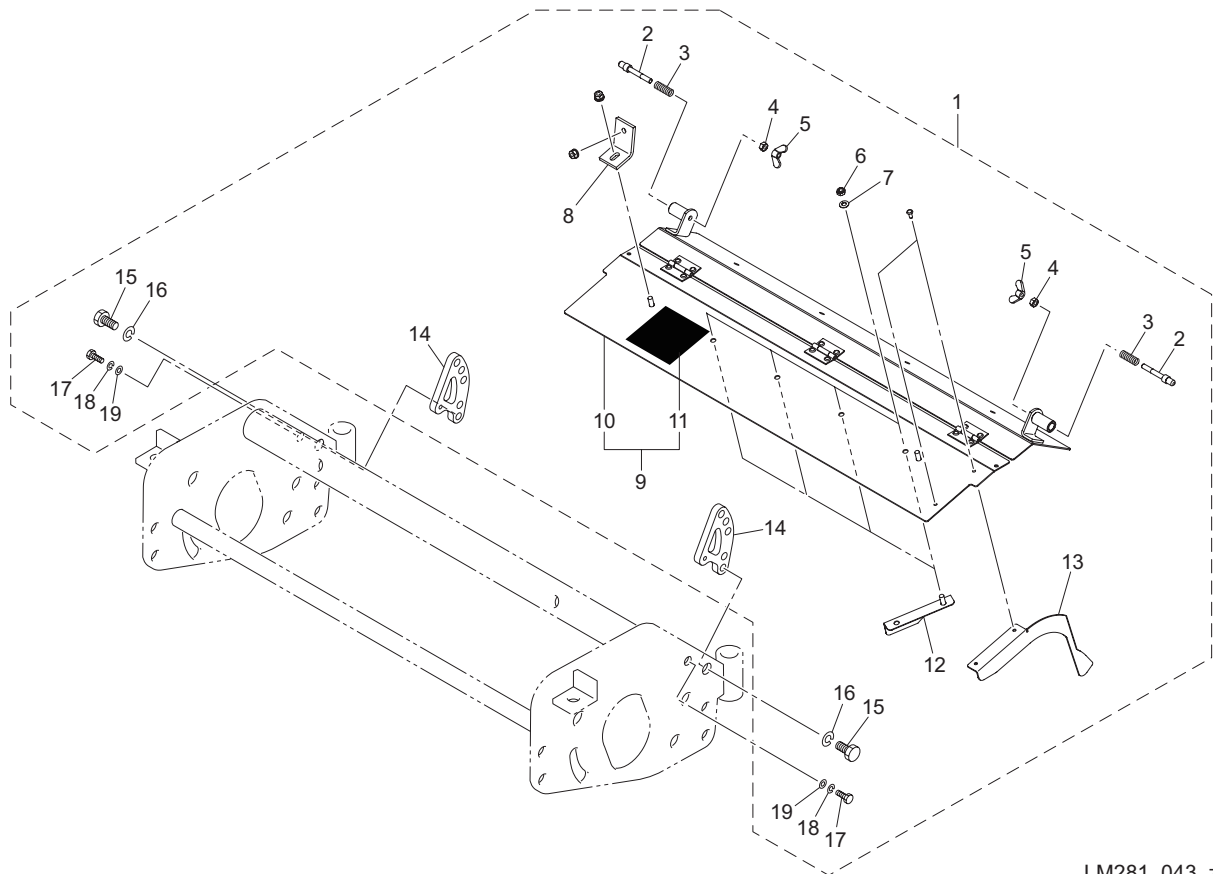


LM281_042_z00

Cat No.	Code No.	Part name	Qty	Remark	SN of application
42-1	LM281--3003Z0	COVER COMP, REEL VARIABLE 30 W/DECAL	1	for #1 Mower	
42-2	LM526--1103Z2	PIN, LOCKING	2		
42-3	K1000000260	SPRING, COMPRESSION M0.7-8.4-25	2		
42-4	K0100060002	NUT, M6	2		
42-5	K0141060002	NUT, WING M6-3	2		
42-6	K0144060002	NUT, W/F-RING M6	4		
42-7	LM526A-1103ZR	MOUNT, COVER	2		
42-8	LM281--3004Z0	COVER, REEL VARIABLE 30 W/DECAL	1		
42-9	LM281--3005ZR	COVER, REEL VARIABLE 30	1		
42-10	K4205001600	DECAL, CAUTION TO MUTILATION	1		
42-11	K0213060001	WASHER, DISK SPRING 1H M6	4		
42-12	LM526A-1104AR	FIN	4		
42-13	LM526A-1102ZR	COVER, AUXILIARY	1		
42-14	LM2400-2446ZR	ADJUSTER, FOR VARIABLE REEL COVER	2		
42-15	K0000100152	BOLT, M10-15	2		
42-16	K0200100002	WASHER, SPRING M10	2		
42-17	K0000060152	BOLT, M6-15	2		
42-18	K0200060002	WASHER, SPRING M6	2		
42-19	K5000060002	WASHER, M6	2		

43. Variable reel cover section (26inch)

LM281



LM281_043_z00

Cat No.	Code No.	Part name	Qty	Remark	SN of application
43-1	LM2400-2445Z0	COVER COMP, REEL VARIABLE	2	for #2, #3 Mower	
43-2	LM526--1103Z2	PIN, LOCKING	4		
43-3	K1000000260	SPRING, COMPRESSION M0.7-8.4-25	4		
43-4	K0100060002	NUT, M6	4		
43-5	K0141060002	NUT, WING M6-3	4		
43-6	K0144060002	NUT, W/F-RING M6	8		
43-7	LM526A-1103ZR	MOUNT, COVER	4		
43-8	LM2400-2421Z0	COVER, REEL VARIABLE W/DECAL	2		
43-9	LM2400-2420ZR	COVER, REEL VARIABLE	2		
43-10	K4205001600	DECAL, CAUTION TO MUTILATION	2		
43-11	K0213060001	WASHER, DISK SPRING 1H M6	8		
43-12	LM526A-1104AR	FIN	8		
43-13	LM526A-1102ZR	COVER, AUXILIARY	2		
43-14	LM2400-2446ZR	ADJUSTER, FOR VARIABLE REEL COVER	4		
43-15	K0000100152	BOLT, M10-15	4		
43-16	K0200100002	WASHER, SPRING M10	4		
43-17	K0000060152	BOLT, M6-15	4		
43-18	K0200060002	WASHER, SPRING M6	4		
43-19	K5000060002	WASHER, M6	4		

BARONESS[®]
Quality on Demand

 **KYOEISHA CO., LTD.**
Head Office 1-26, Miyuki-cho, Toyokawa-city, Tel :+81-533-84-1390
Aichi-pref, 442-8530 JAPAN Fax :+81-533-84-1220