

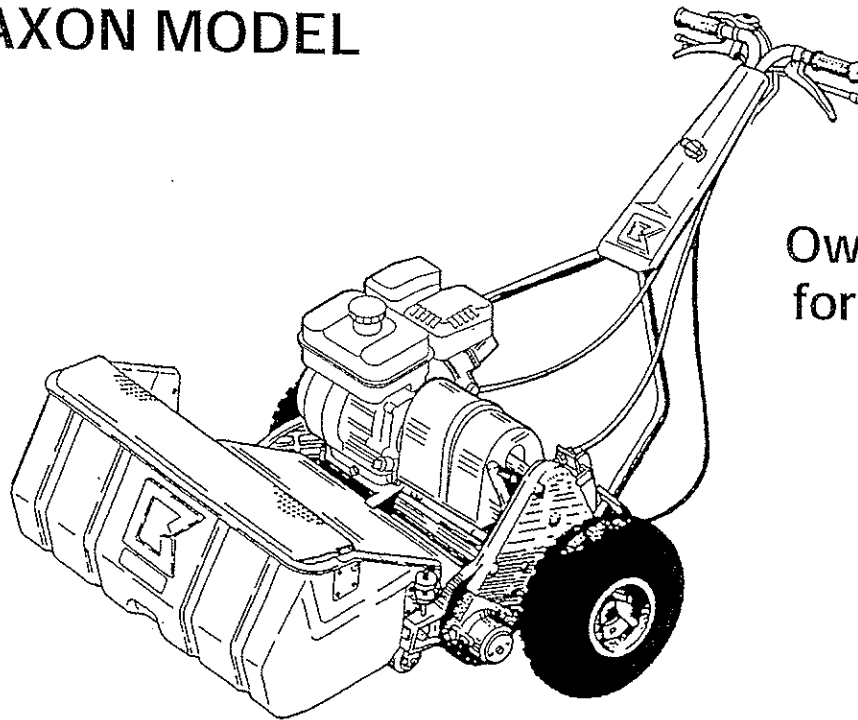
GREEN MOWER  
LM22GF  
LM26GF

TEERING GROUND MOWER  
LM26TF

# BARONNESS

# LAWN MOWER

## SAXON MODEL



Owner's Handling Manual & Parts Catalog  
for Saxon 2005 Model

Read this manual before using the machine.

# BARONNESS

# CONTENTS

CONTENTS .....	1		
Warning for Safety .....	2		
Greeting .....	2		
<b>Owner's Handling Manual</b> .....	2		
1. Part names .....	3		
2. Specifications .....	4		
3. Features .....	4		
4. Assembly/adjustment of main unit .....	5		
5. Inspection before use .....	6		
6. Fastening of each portion .....	6		
7. Engine starting sequence .....	6		
8. Machine operation .....	6 · 7 · 8 · 9		
9. Blade engagement .....	9 · 10 · 11		
10. Long-term storage .....	11		
11. Precautions for engine operation .....	12		
12. Special optional parts .....	13		
<b>Parts Catalog</b> .....			14
1. Engine clutch stand .....		15 · 16	
2. Drum wheel .....		17 · 18	
3. Blade reel cylinder/front roller/bottom blade .....		19 · 20	
4. Frame/transmission .....		21 · 22	
5. Handle/engine .....		23 · 24	
6. Accessory parts .....		25 · 26	
7. Internal expanding brake parts .....		27 · 28	
8. LM22GE/26GE dethatching reel (Option) .....		29 · 30	
9. Sweeping brush (Option) .....		31 · 32	

## Warning for Safety

Warning marks indicate important items for safety.  
Observe them strictly.

### Warning Marks



**DANGER** Negligence of the warning will cause death or serious injury.



**WARNING** Negligence of the warning may cause death or serious injury.



**CAUTION** Negligence of the warning may cause injury.

### Symbols



See the Handling Manual



Engine switch lever



Be careful of exhaust gas



Fuel : Gasoline



No fire



Hot surface  
Burn on hand



Danger mark  
Hand cut



Danger mark  
Foot cut



Grease  
Every 10 hours



CAUTION : Joint shaft



Exercise care so as not  
to be caught

## Greeting

Thank you very much for purchasing BARONESS GREEN MOWER and TEEING GROUND MOWER.

This Owner's Handling Manual explains the method of correct handling, adjustment, and maintenance of the mower. Thoroughly read the manual before operation. Carefully read the engine operation manual before starting the engine. Mowers undergo thoroughgoing trial operation and inspection before shipment. However, whether or not the mower can exhibit the expected performance depends on the handling method, inspection/adjustment before and after operation, and the properness of lubrication. Handle the mower correctly for safe and excellent operation for an extended period of time.

## Owner's Handling Manual

### Precautions:

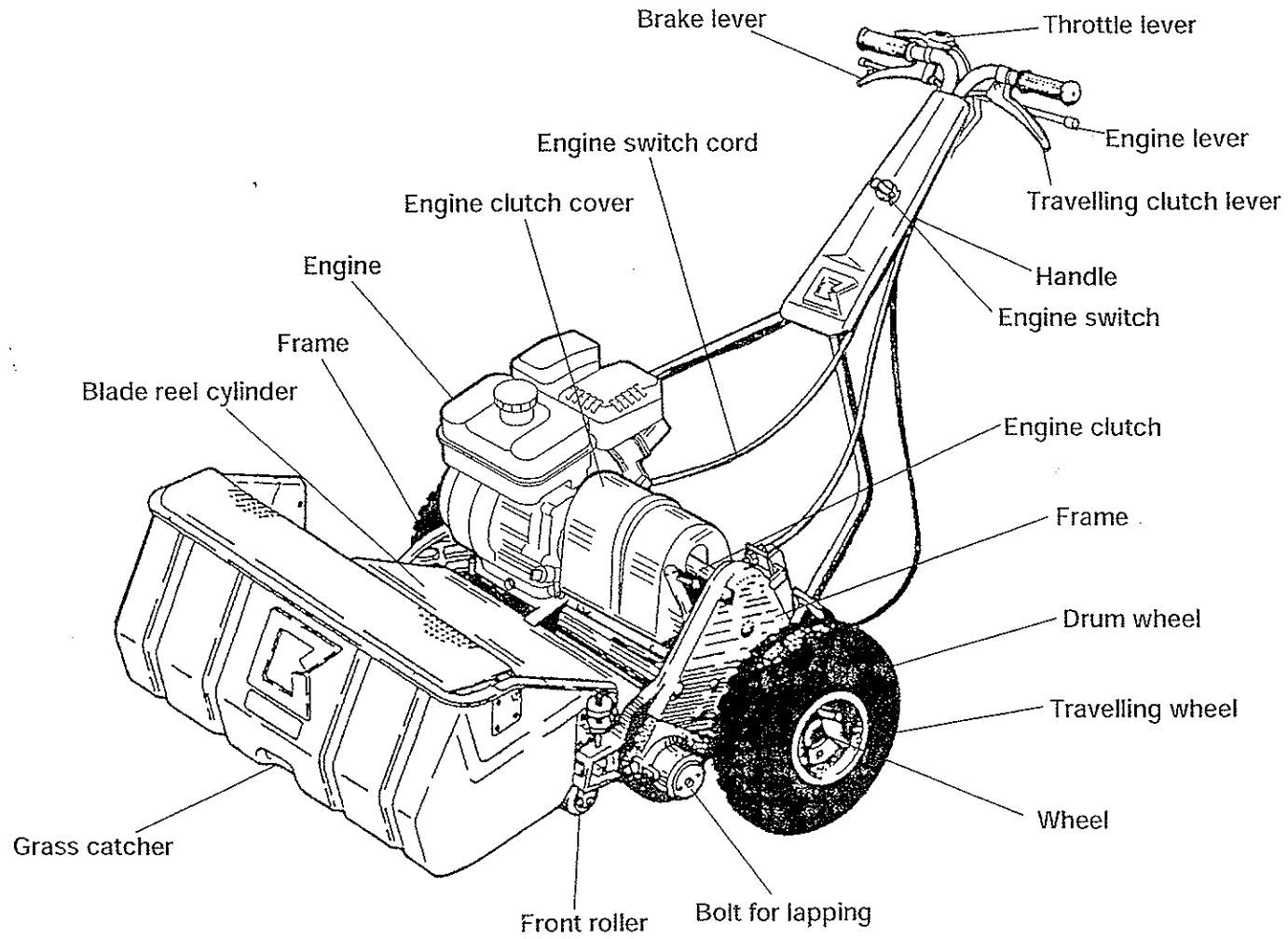
- The name of the model may be different when you make an inquiry about your machine. Advise us of the machine number as well.
- The contents of this manual are subject to change without notice.



### CAUTION

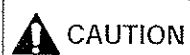
The warning labels, which are shown in this operation manual and attached to the machine, show the explanation to ensure safety. Carefully read and thoroughly understand the explanation. Understand well the operating procedures and safety precautions before using the machine. The marks and explanatory notes should be kept clean. If they are lost or damaged, attach new marks.

# 1. Part names



## 2. Specifications

### 2-1. Main unit



The engine brake will not work. Use a carrier or truck to move the mower.

	LM22GF	LM26GF	LM26TF
Length (cm)	135	←	←
Width (cm)	91	100	←
Height (cm)	111	←	←
[Weight] During operation (kg)	84.3	89	←
[Weight] Grass catcher	3.2	3.8	←
[Mowing section] Mowing width (cm)	55.6	64.6	←
[Mowing section] Reel dia. (cm)	φ 12.8	←	←
[Mowing section] Number of reel blades *	9 *	←	7
Frame	Aluminum alloy	←	←
Front roller (cm)	φ 6×57.7	φ 6×66.6	←
Drum wheel (cm)	Steel pipe drum φ 19.6×53.5	Steel pipe drum φ 19.6×62.5	Aluminum drum φ 20.3×62.5
Speed (km/h)	5	←	4.3
Engine	ROBIN EX13D K2620000370		←

- The weight excludes the travelling wheel (6.4 kg) and grass catcher.
- The above speed is available when the engine is rotating at 3000 rpm.

\* 11-blade reel cylinder available as an option.

## 3. Features

- 3-1. The handle is provided with an engine switch for safe operation.
- 3-2. The coil spring makes uniform the preload applied to the tapered bearing by the blade reel cylinder, ensuring stable rotation and facilitating adjustment.
- 3-3. These mowers are the lightest of all models in this class, permitting easy operation.
- 3-4. The blade reel cylinder made of specially-blended heat treated steel cuts well and excels in durability.

## 4. Assembly/adjustment of main unit

**4-1.** Fit the handles into the handle pins on both sides of the frame, respectively, in order of (a), (b), and (c).

- Fit the handle mounting pin R (4-61) on the left frame (4-1) into the hole at the front end of the handle. ←
- Pull the right edge of the handle toward the inside. ←
- Fit the handle pin L (4-85) on the right frame into the hole at the right front end of the handle. →

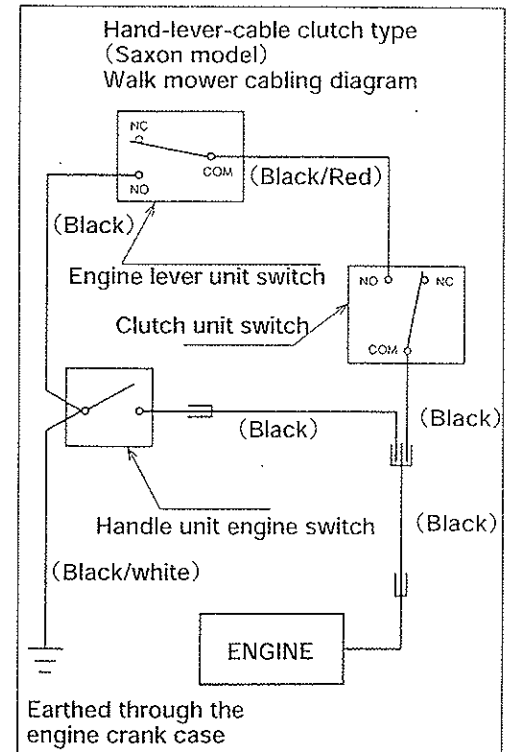
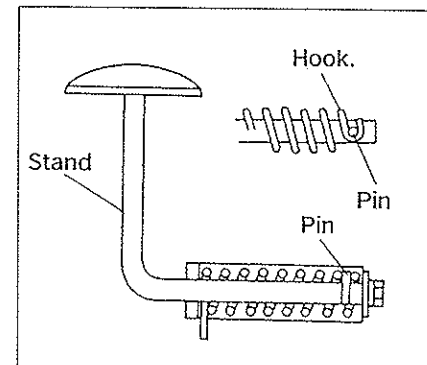
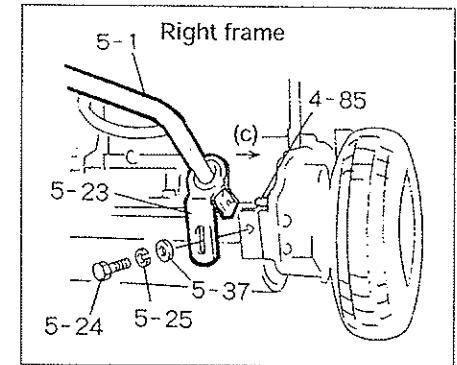
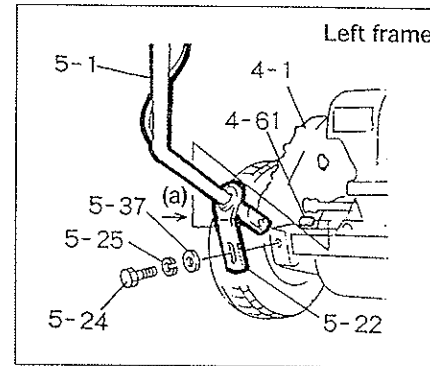
### 4-2. Installation of stand

Hook the U-shaped portion of the spring on the pin using a tool to install the stand.

### 4-3. CAUTION Connection check of engine switch cord

Check the connection of the engine switch cord during installation of the handle referring to the right cabling diagram.

Be sure to connect the engine switch cord, otherwise the engine will not stop.



## 5. Inspection before use

### 5-1. Greasing



The transmission and intermediate transmission gears are equipped with needle bearings. Grease them every 10 hours. Shortage of grease will cause heat generation and a grating sound.

### 5-2.

Replenish the engine with engine oil. (A correct level will be shown when the engine is placed horizontally.) Change engine oil 5 hours after the initial operation, and every 50 hours from the second time onward. Oil : SAE30.

## 6. Fastening of each portion

Many parts are fastened by bolts. Bolts and nuts may be loosened some time after initial operation. Fasten them to the specified torque.

Appropriate fastening torque N·m(kgf·cm)

	Normal bolt	Heat treated bolt
M6	8 (80)	
M8	18 (180)	36 (360)
M10	36 (360)	72 (720)
M16	1.5-pitch left-hand thread: 36 (360)	



## 7. Engine starting sequence

### 7-1. CAUTION Before starting engine



Carefully read the gasoline engine operation manual before starting the engine. Check the ON/OFF positions of the engine switch lever at the front of the handle. Set the engine switch lever in the ON position, set all moving parts in the neutral position. Check for safety - covers are in position and not damaged and there is no person around the machine - before starting the engine. Do not start the engine indoors without an appropriate ventilator.



### 7-2. CAUTION Starting the engine

- (1) Set the clutch lever in the OFF position. (See 9-2.)
- (2) Set the throttle lever in the high-speed  position.
- (3) Grasp the engine lever together with the handlebar. 
- (4) Set the strainer lever in the open position.
- (5) Pull the choke lever and pull the recoil starter, and the engine will start.
- (6) Return the choke lever.

### 7-3. WARNING Stopping the engine (Remember the method for stopping the engine in an emergency.)

- (1) Set the clutch lever in the OFF position.
- (2) Set the throttle lever in the slow-speed  position. 
- (3) Set the strainer lever in the close position.
- (4) Release the engine lever.
- (5) Release the engine lever immediately in an emergency.

### 7-4. DANGER Fuel supply Gasoline for automobiles

- (1) Keep flame etc. away from the engine when supplying fuel. Stop the engine outdoors and allow it to cool before supplying fuel.
- (2) Keep the machine clean at all times to prevent deposition of dust, grease, or oil.

### 7-5. CAUTION When leaving the machine

Park the machine on a flat place. Check that the engine switch lever is in the OFF position. Do not park the machine on a slope.

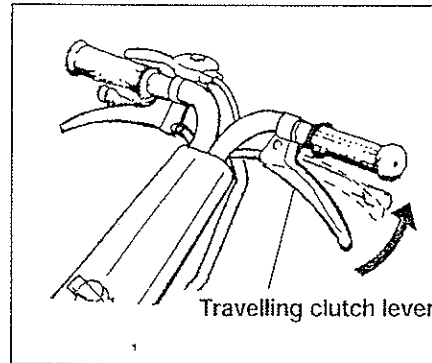
## 8. Machine operation

### 8-1. DANGER

Check that each portion - especially the brake and clutch - operates satisfactorily before starting machine operation. Make sure that the machine can be stopped immediately at any time. Exercise care so that you and people around the machine will not be injured.

## 8-2. Travelling clutch lever

The travelling lever is on the left side of the handle. Grip the lever, and it will enter the ON position, and the machine begins to travel. Move the lever slowly.



## 8-3. Reel clutch lever

The reel clutch lever is provided in the lower front position at left. Set it in the ON and OFF positions for engagement and disengagement, respectively. Set it in the OFF position when moving the machine.

## 8-4. Adjustment of handle height

Move the handle guide plates (5-22 and 5-23) vertically to change the height of the handle according to the height of the operator.

## 8-5. WARNING Brake lever

The brake lever is provided at right. Grip the lever, and the brake drums set on the right and left drum shafts operate simultaneously. If the braking performance is nonuniform, make adjustment for uniform operation.

## 8-6. Throttle lever

The throttle lever is on the right side of the handle. The lever controls the engine speed. The adjustment range is 1350-3300 rpm. The engine speed should be 3000 rpm for mowing operation.

## 8-7. [IMPORTANT] Adjustment of engine clutch

(1) When reinstalling the engine:

Adjust the clearance between the engine clutch and clutch facing so that it will be approx. 0.5 mm when the travelling clutch is engaged. For adjustment, loosen the four bolts that are securing the engine, and insert a thickness gauge (attached) into the front and rear. Make adjustment so that the gap will be parallel, and then fasten the bolts.

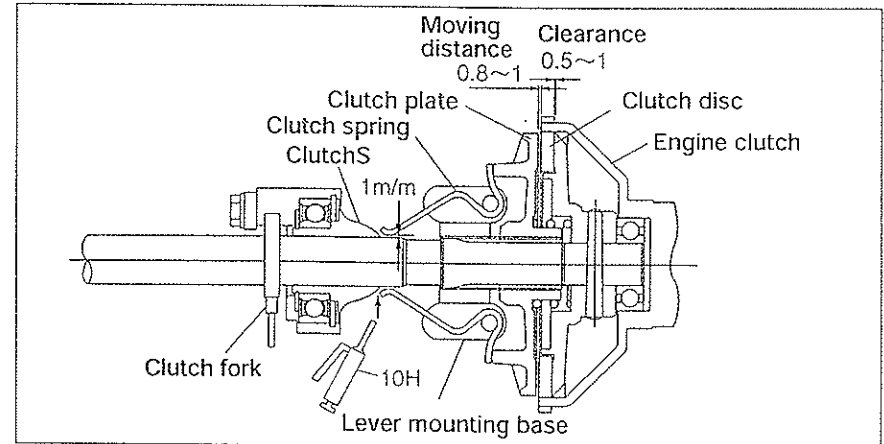
(2) After using a new machine for 10 hours or when the clutch spring is changed:

Make adjustment so that the difference in the position of the clutch plate when the clutch is engaged and disengaged will be 0.8-1 mm.

Loosen the bolt (1-10) that is securing the lever mounting base (1-7), screw in the base up to an appropriate position, and then secure the base with the bolt. (See the figure below.)

Apply grease sufficiently to the clutchS, and check them every 10 hours.

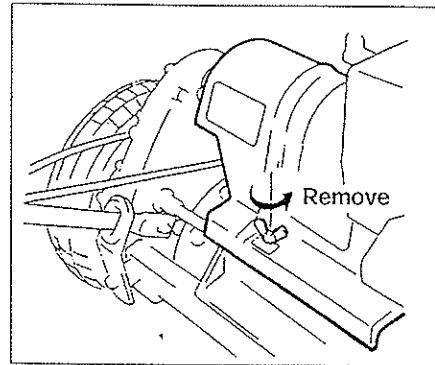
Adjust the clutch fork so that it will be in the center of the clutch when the clutch is engaged.





### 8-8. Clutch cover

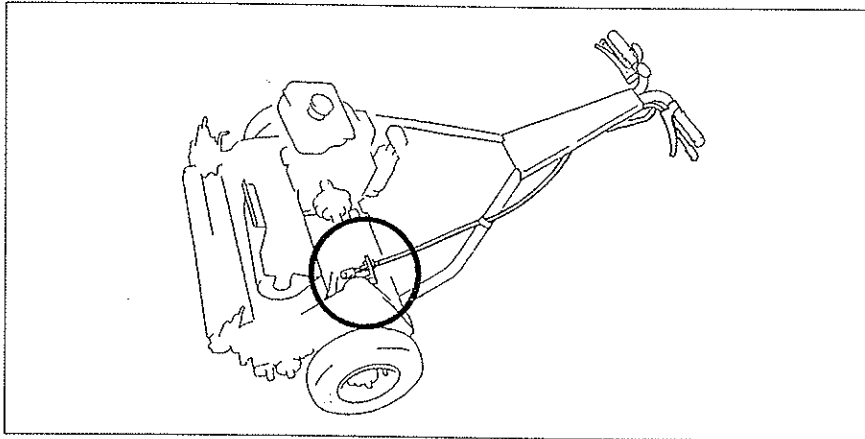
The clutch cover is on the left side of the engine, covering the engine clutch. It is secured by turning the wing bolt clockwise (by 4-5 turns).



### 8-9. Travelling wheel

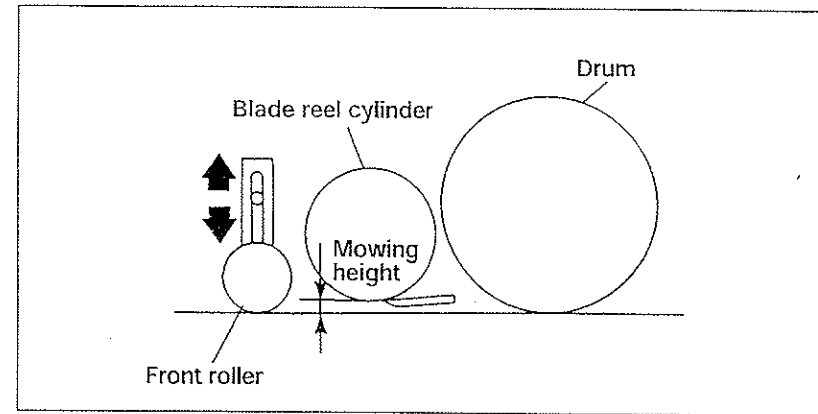
The travelling wheel is used to move the machine from green to green. Set the stand upright, hold and pull the tire and lever, and the wheel will come off.

### 8-10. [IMPORTANT] Adjustment place of clutch wire



### 8-11. [IMPORTANT] Adjustment of mowing height

Move the front roller up or down, and the mowing height can be adjusted within the range of 4-19 mm. Use an optional bottom blade when 3 mm mowing height is desired.

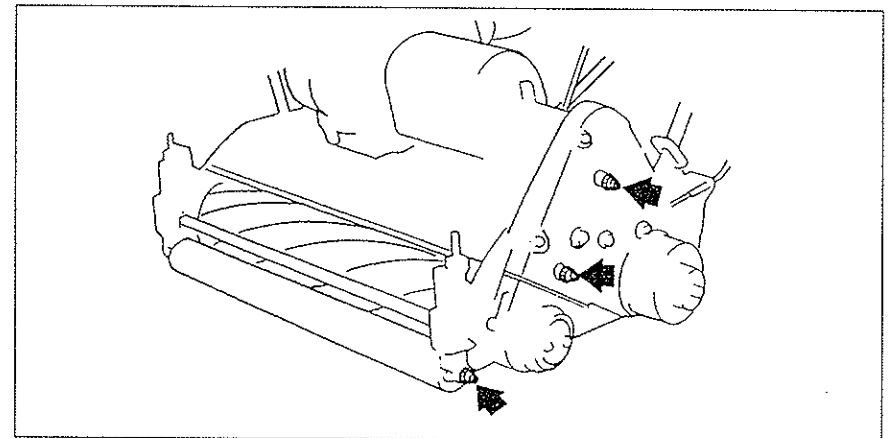


### 8-12. [IMPORTANT] Greasing

Fill up grease nipples with approx. 1g of grease (EXCELITE EP NO.2) every 10 hours—one or two times injection with a small manual grease pump. Needle bearings are used, so exercise care when greasing them.

Every 10 hours →

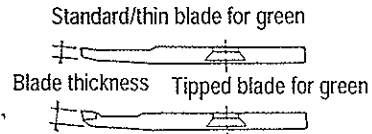
- 2 shafts on left frame
- Intermediate shaft on left frame
- Differential gear section
- Engine clutch and clutch mover



## 8-13. Setting the mowing height gauge and blade thickness

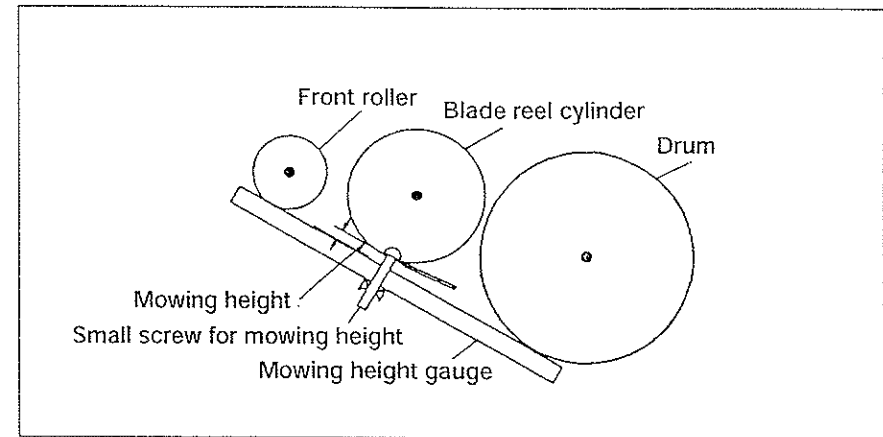
(1) Set the mowing height gauge at the desired height. The minimum mowing height with respect to each bottom blade thickness is shown below. (The maximum height is 19 mm.)

	Blade thickness (mm)	Min. mowing height (mm)
Green	Standard blade: 2.5	3.5
	Special No.2 for tournament: 1.8	3.0
	High-speed-steel-tipped blade: 3.0	4.0
Teeing ground	Standard tipped blade: 5.0	7.0



※ The minimum mowing height is the average height on the green. Lawn may be shaved when the undulation of the green is substantial. Set the mowing height slightly higher in that case.

(2) When the mowing height of 7 mm or less is desired for the teeing ground, use the green mower bottom blade.



### [IMPORTANT] Adjustment of front roller height

Bring the mowing height gauge into contact with the front roller and drum (as shown above), and adjust the height of the bottom blade.

- (1) Loosen the tall nut of the roller bracket, and move the front roller up or down with the mowing height adjusting screw.
- (2) Position the front roller with the mowing height gauge.
- (3) Make adjustment at both edges.
- (4) Tighten the tall nut, and secure the roller bracket.

## 9. Blade engagement

Grind and adjust the blade reel cylinder and bottom blade entirely so that a newspaper will be cut sharply.

### 9-1. [IMPORTANT] Lapping

Conduct lapping after mowing operation (before adjusting the engagement).

- (1) Check the entire portion of the blade reel cylinder to check which portion is dull. (If a newspaper cannot be cut in any portion, put in two sheets of paper to carefully check which portion is dull.)
- (2) Connect the lapping machine (RM20) or lapping handle (option) to 10 special bolt 35 (Parts Catalogue No.4-72) of the machine.

(3) Rotate the blade reel cylinder in the direction opposite to the mowing direction, and apply abrasive with a brush only to the portion where a newspaper was sharply cut. The portion where a newspaper was not cut is worn away. Do not apply abrasive to such portions.

※ The right side (when viewed from the front of the blade reel cylinder) of the blade reel cylinder will be worn away 3-4 times earlier than the left side. When applying abrasive to the blade reel cylinder, be sure to move the brush from left to right. (Fig.7)

Blend powder (#200-#400) and oil at the ratio of 1:3 or 1:4 to make an abrasive.

(4) Keep rotating the blade reel cylinder, and stop rotation when the contact sound disappears. Put in a newspaper again to check the blade reel cylinder entirely for the sharpness of each portion.

(5) Repeat operations (3) and (4). When the blade reel cylinder and bottom blade are in contact with each other uniformly, apply abrasive to the blade reel cylinder entirely for final lapping.

(6) After lapping, remove the abrasive with steam, etc.

[Note] Exercise care so that the air cleaner and electrical equipment will not be splashed with water during cleaning.



Both blade reel cylinder and bottom blade are edged. Handle them carefully.

Be careful of the fingers, which turn the blade reel cylinder, when cutting a newspaper to check sharpness. Uniformly lap the right and left sides of the bottom blade in contact with the blade reel cylinder, and the life of the blade will be maximized.

## 9-2. [IMPORTANT] Engagement

(1) Lightly engage the blade reel cylinder and bottom blade uniformly on both sides.

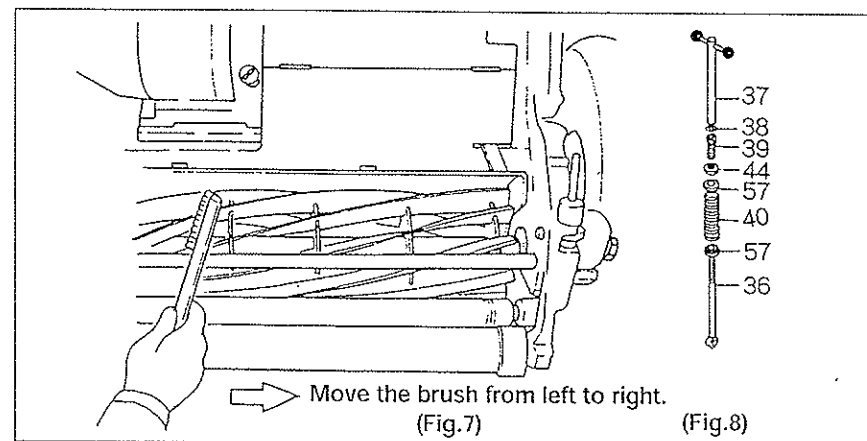
(a) Uniformly adjust the bottom blade on the right and left sides. Turn the cutter adjuster (3-37) clockwise for slight engagement, and turn it counterclockwise for firm engagement. (Fig.8)

(b) Lightly engage both sides to the extent that a newspaper will be cut sharply.

When the blade reel cylinder is worn away and the spring pressure decreases, loosen the lock nut (3-44) and turn the threaded pipe (3-39) clockwise, and the spring pressure will increase. (Fig.8)

After the green mower is used for one season, the diameter of the blade reel cylinder and the thickness of the bottom blade will decrease by approx. 1 mm on average, respectively.

The thread pitch of the threaded pipe is 1 mm. Turn the threaded pipe clockwise by two turns, and appropriate spring pressure will be maintained. Use the above as guidelines.



## 9-3. [IMPORTANT] Cam adjustment

Turn the cam bush on both sides of the bottom blade, and the blade will be raised and lowered within a maximum range of 0.3 mm. (Fig.9)

The above method is used when the edges of the blade reel cylinder and bottom blade are not in parallel.

(1) When there is a gap between the blade reel cylinder and the left frame side of the bottom blade

(a) Loosen the lock nut, and turn the left cam bush clockwise as much as the gap. Turn it clockwise by 30° to raise the bottom blade by 0.1 mm.

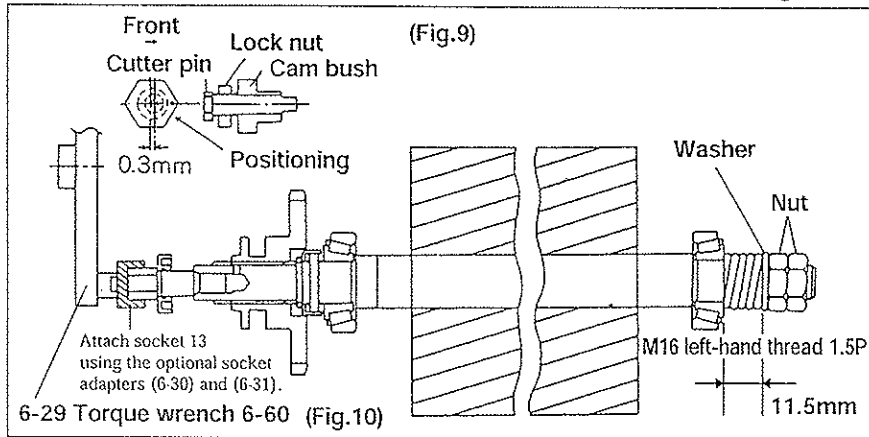
(b) After adjustment, firmly fasten the lock nut.

(2) When there is a gap on the right frame side, loosen the lock nut, and turn the right cam bush counterclockwise as much as the gap.

## 9-4. Cylindrical grinding and installation of blade reel cylinder

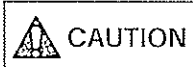
Cylindrically grind the blade reel cylinder when it is worn away and has become conical. (Ask the dealer you purchased the machine from for cylindrical grinding.)

## 9-5. [IMPORTANT] Installation of blade reel cylinder



- Replace the bearing and reel shaft seal on both sides of the blade reel cylinder. Use 30204JRP6 that has the smallest error.
- Sufficiently apply grease (EXCELITE EPNO2) to the bearing and seal. (Apply grease while turning the roller. The grease will be sufficient for one season.)
- Method to fasten nut after installing the blade reel cylinder

[IMPORTANT] Tighten the nut on the inside until the length of the spring reaches 11.5 mm, and lock the nut on the outside. A certain preload will be applied by the spring pressure. The rotational torque of the blade reel cylinder should be 8-10 kgf-cm. If it is not, check the bearing and seal.



When lifting the front of the machine, support the machine completely to prevent it from tumbling. Exercise care when handling the reel cutter and bed knife.

## 10. Long-term storage

- For the engine, refer to the engine operation manual.
- Cylindrically grind the blade reel cylinder every six months.
- Replace the bearing (30204JRP6) and seal on both sides of the blade reel cylinder every season. (Replace them even if they have not been used for many hours.)
- Clean the machine, and apply grease or oil to respective sliding sections.

- Keep the pneumatic pressure of the tires slightly higher than the standard, and place the machine on a board to protect it from moisture.
- Check bolts and nuts for looseness or omission. If they are loose or missing, tighten them or install new ones for repair.
- Correct other nonconforming parts and recoat the section in which the coating has come off.
- Store the machine in a dry place free from rainwater.

## 11. CAUTION Precautions for engine operation



For the engine, refer to the engine operation manual.

- (1) Use gasoline for automobiles as the fuel of the engine.
- (2) Completely change engine oil when the machine has been used for five hours after the initial operation, because the machine is used under tough conditions with vibration and dust. Check the element in 15 hours, and change oil every 50 hours. The quantity of engine oil is 0.6 liter. Use SAE30.
- (3) Always cover the suction port of the air cleaner with a cleaner cover bag during operation. Be sure to clean the air cleaner element before using the machine, and replace the element with a new one every 200 hours.



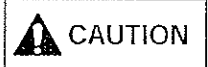
- (4) Fire is strictly prohibited during fuel supply. Be careful of a lit cigarette. Supply fuel outdoors after the engine is stopped and cooled.



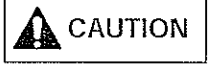
- (5) Do not start the engine in a building without a proper ventilator.



- (6) The muffler and the area around the exhaust port of the muffler will become hot. Do not bring gasoline, matches, dry grass, or other inflammables near hot portions.



- (7) Inspection before operation  
Check the joint of fuel pipe, etc. for looseness or damage. Check bolts and nuts in

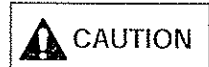


- respective sections for looseness.
- (8) Wear appropriate clothes. An apron, towel on the belt, long string, etc. will cause you to be caught in rotating parts.
- (9) When the machine is to be stored for a long time exceeding 5 months, remove gasoline from the engine.
- (10) Engine maintenance schedule

To keep the engine in satisfactory status at all times, be sure to conduct maintenance and inspection according to the following table:

Operation hours	Every 5 hr	Every 8 hr	Every 50 hr
Inspection/supply of engine oil		○	
Engine oil change	First time		Second time forward
Cleaning of air cleaner	○		

For details, see the engine operation manual.



## Precautions as to maintenance

- \* Thoroughly understand the method of maintenance and inspection.
- \* Maintain and inspect the machine on a clean, dry, flat place.
- \* Be sure to stop the engine, and then check that the engine has stopped completely before starting maintenance.
- \* Do not supply oil, maintain, or inspect the machine while the machine is operating.
- \* Do not bring your hands or feet near the driving or operating sections.
- \* Correctly install all parts in satisfactory state.
- \* Repair or replace damaged parts immediately.
- \* Replace worn or damaged parts with new ones.
- \* Do not remodel the machine. Use genuine parts during maintenance to ensure safety.
- \* Remove dust, grease, oil adhering to the machine.

## 12. Special optional parts (For blade reel cylinder change)

Special type

Lawn mowing impossible

### 12-1. Vertical dethatching reel

Instead of a blade reel cylinder, a spiral dethatching reel can be installed for dethatching.

The working depth is 2 mm underground.

※ In the case of a green mower, use wheel gears (4-48/4-49/4-50) for teeing ground mower to lower the operation speed. (Reference: Parts Catalog, pp.23 and 24.)

Thickness of vertical blade: 0.8 mm Diameter of vertical blade:  $\phi$  128 mm

### 12-2. Rotary brush for sweeper

Instead of a blade reel cylinder, a spiral rotary brush can be installed for dethatching, and collection of fallen leaves.

	Vertical dethatching reel		Rotary brush	
	Working width (cm)	Number of dethatching blades	Working width (cm)	Dia. of brush (cm)
LM22 Series	484	36	493	$\phi$ 135
LM26 Series	574	42	583	$\phi$ 135

### 12-3. Special optional tools and reel rotational torque measuring instrument

Use of ⑨ and ⑩ in the blade reel cylinder installation diagram in Fig.10 permits measurement of the rotational torque (8-10 kgf-cm) of the blade reel cylinder.

#### Optional tools

① Spanner: 8 × 10	K4810080102	
② Spanner: 13 × 17	K4810130172	
③ Spanner: 19 × 22	K4810190222	
④ Spanner: 24 × 27	K4810240272	
⑤ Pliers	K4830000012	
⑥ +/- screwdrivers	K4820000010	
⑦ Reel lapping handle	K6125000052	
⑧ - screwdriver N-through	K4820000020	
⑨ Torque wrench: 6 - 60	K4802000370	For measurement of reel rotational torque
⑩ Socket adapter: 6.35 × 9.5	K4802000354	
⑪ Socket adapter: 9.5 × 12.7	K4802000364	

### 12-4. Common Parts in Parts List

○ : Common to LM22GE

△ : Common to LM55GD

※ : Parts of 26 only

# BARONESS

## LAWN MOWER

GREEN MOWER

LM22GF

LM26GF

TEERING GROUND MOWER

LM26TF

## PARTS CATALOG

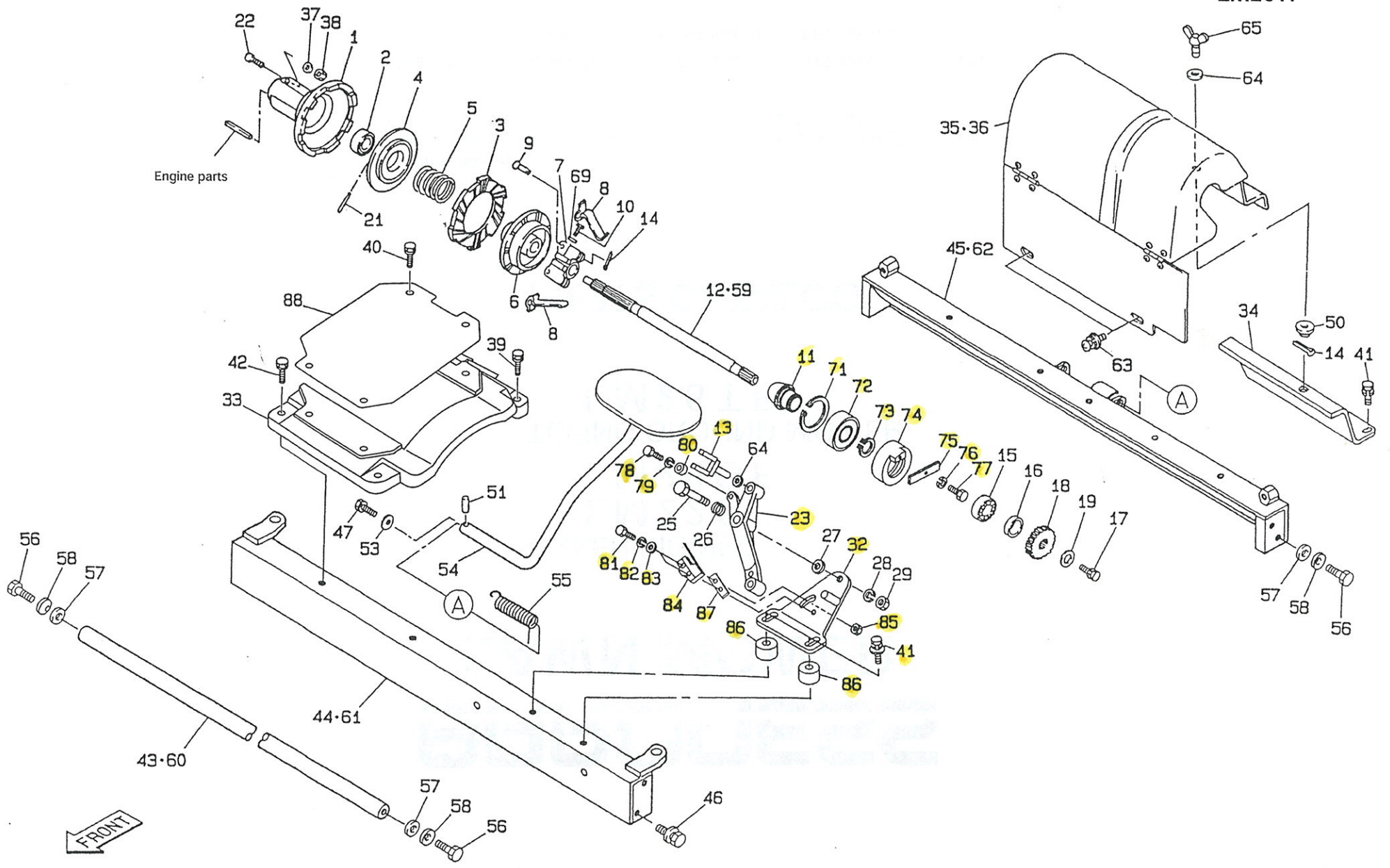
☆ Ordering parts

All parts in this parts catalog are controlled by computer. However for prevention of delivery of wrong parts, advise us of the catalog No., code No., and part name.

(Example)	Catalog No.	Code No.	Part Name	Qty
	1-1	K6911000050	Engine clutch	1

LM22GF、26GF  
LM26TF

1. Engine clutch / stand





Catalog No.	Code No.	Part Name	Qty /Unit	Common Part	Retail Price
1-1	K6911000050	Engine clutch	1	○△	
1-2	K0616062020	Bearing 62022NSEC3	1	○△	
1-3	K1810000030	Clutch disc	1	○△	
1-4	K6911000012	Disc receiver	1	○△	
1-5	K1000000160	3.5 compression spring 3415	1	○△	
1-6	K6911000022	Clutch plate	1	○△	
1-7	K6310000012	Lever mounting base	1	○△	
1-8	K1090000010	Clutch spring	2	○△	
1-9	K6040060282	6 round head pin 28	2	○△	
1-10	K0013060251	6 heat treated bolt 25	1	○△	
1-11	K6311000022	Clutch S	1	○△	
1-12	LM22GE-0312D2	Clutch shaft	1	○△	
1-13	K7899000852	Clutch fork	1	○△	
1-14	K0300020162	2 cotter pin 16	2	○△	
1-15	K0616062030	Bearing 62032NSEC3	1	○△	
1-16	LM22GE-0317B0	16-tooth gear collar	1	○	
1-17	K0006080202	8 bolt 20S	1	○	
1-18	K6180000010	1-shaft 16-tooth gear	1	○	
1-19	K5012308262	2.3SPCC washer 826	1	○	
1-20					
1-21	K0310050402	5 taper pin 40	1	○△	
1-22	K0000060302	6 bolt 30	1	○△	
1-23	K6911000082	Clutch L-shaped lever S	1	○△	
1-24					
1-25	K0003100502	10 bolt 50	1	○△	
1-26	K1000000208	2 compression spring 1514	1	○△	
1-27	K5011010202	1SPCC washer 1020	1	○△	
1-28	K0213100002	10 disc spring washer 1H	1	○△	
1-29	K0100100002	10 nut	1	○△	
1-30					
1-31					
1-32	K789900086R	L-shaped lever mounting bracketS	1	○△	
1-33	LM22GF-2603ZR	Engine base 106	1	○△	
1-34	K8005000030	Clutch cover mounting Ass'y	1	△	
1-35	K9100000060	Clutch cover ASSY 265	1	△	
1-36	K9100000120	Clutch cover ASSY 325	1	○△	
1-37	K5000060002	6 washer	1	○△	
1-38	K0143060002	6 nut with disc spring	1	○△	
1-39	K0007080302	8 bolt 30SW	3	○△	
1-40	K0007080402	8 bolt 40SW	4	○△	
1-41	K0007080252	8 bolt 25SW	2	○△	
1-42	K0021080252	8Bolt with flange 25	1	○	
1-43	K6225000033	8.5 pipe 17581	1	○	
1-44	LM22GF-0713ZR	Front frame stay	1		

○: Parts common to LM22GE △: Parts common to LM55GD ※: Parts of LM26GF

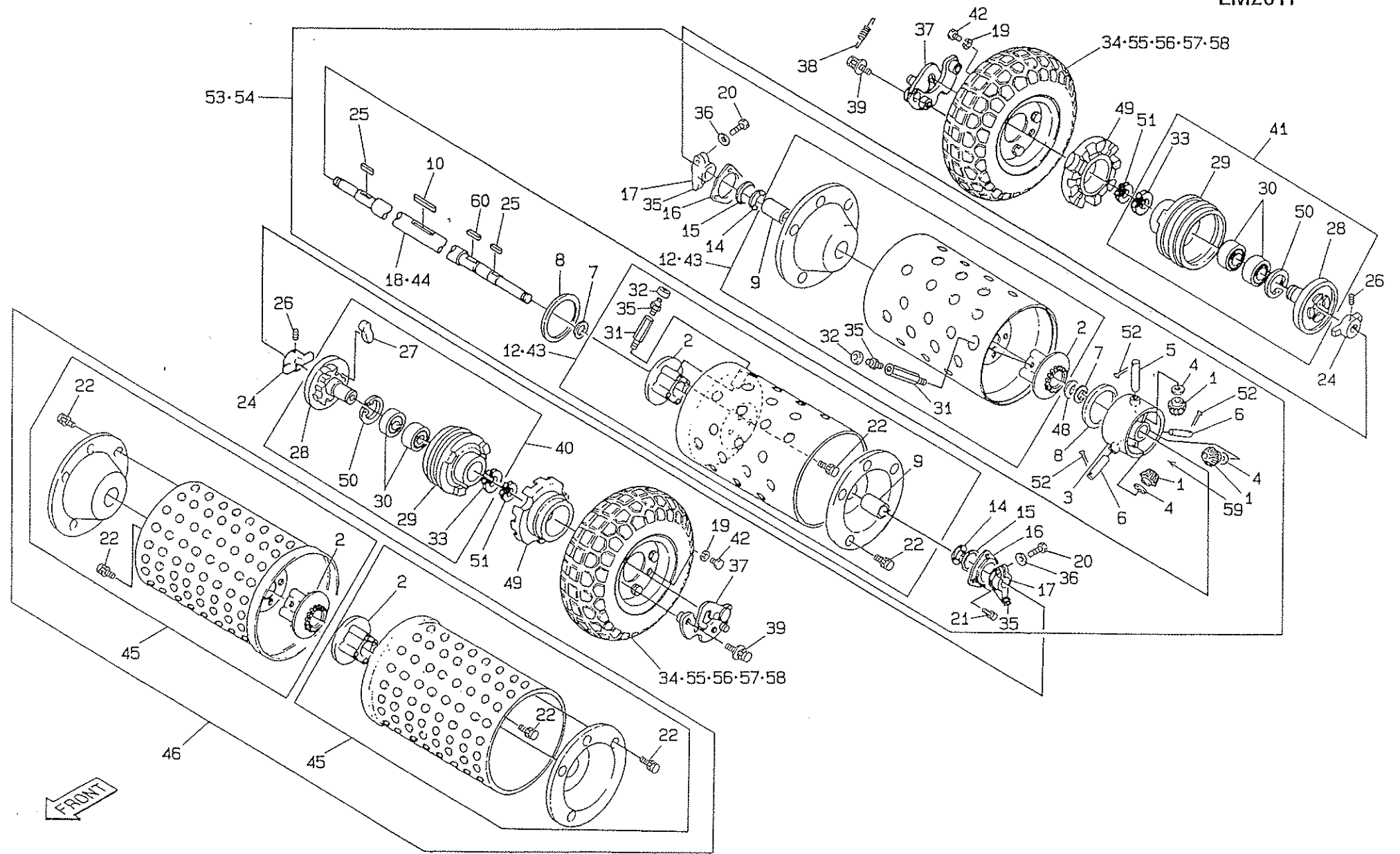
Catalog No.	Code No.	Part Name	Qty /Unit	Common Part	Retail Price
1-45	LM22GF-0714AR	Rear frame stay	1		
1-46	K0080100403	10 bolt 40HW	6	○△	
1-47	K0006060153	6 bolt 15S	1	○△	
1-48					
1-49					
1-50	K4031000250	10 staged rubber 224.5	1	△	
1-51	K0320040221	4 spring pin 22	1	○△	
1-52					
1-53	K5012306252	2.3SPCC washer 625	1	○△	
1-54	K789900041D	Stand	1	○△	
1-55	K1090000029	Stand spring R	1	○△	
1-56	K0071000592	M10 knock bolt 40	4	○△	
1-57	K5002100003	10 washer 22	4	○△	
1-58	K0213100002	10 disc spring washer 1H	5	○△	
1-59	LM26GE-0312D2	Clutch shaft	1		
※1-60	LM26GE-0510Z2	Stay pipe	1		
※1-61	LM26GF-0713AR	Front frame stay	1		
※1-62	LM26GF-0714AR	Rear frame stay	1		
※1-63	K0044060152	6 + round head screw 15SW	2	○△	
1-64	K5000080002	8 washer	1	○△	
1-65	K0071000882	8 wing bolt 15 with hole	1	△	
1-66					
1-67					
1-68					
1-69	K0200060002	6S washer	1		
1-70					
1-71	K0402047001	Stop ring	1		
1-72	K0613060050	Bearing 60052RDC3	1		
1-73	K0401025001	Stop ring	1		
1-74	K6202000472	Bearing housing	1		
1-75	K5141000542	Fork retainer	1		
1-76	K0200060002	6S washer	1		
1-77	K0000060122	6 bolt 12	1		
1-78	K0003050252	5 bolt 25	1		
1-79	K0200050002	5S washer	1		
1-80	K6211000033	6.5SGP collar 10.516	1		
1-81	K0000040352	4 bolt 35	2		
1-82	K0200040002	4S washer	2		
1-83	K5000040002	4 washer	3		
1-84	K3670000080	Switch AM1711 hinge	1		
1-85	K0100040002	4nut	1		
1-86	LM22GF-1803ZR	Spacer	2		
1-87	K514100057R	3 plate 1338 with 4.5 holes	1		
1-88	LM22GF-2602ZR	Engine under cover	1		

1. Engine clutch stand

LM22GF、26GF  
LM26TF

2. Drum wheel

LM22GF, 26GF  
LM26TF



○: Parts common to LM22GE △: Parts common to LM55GD ※: Parts of LM26GF ☆: Parts of LM26TF

Catalog No.	Code No.	Part Name	Qty /Unit	Common Part	Retail Price
2-1	K6191000020	Differential pinion	3	○	
2-2	K6191000052	21-tooth differential gear	2	○	
2-3	K6810000020	Differential housing	1	○	
2-4	K5051010220	1C5191P washer 1022	3	○	
2-5	K6156000020	Differential pinion shaft 1	1	○	
2-6	K6142000010	Differential pinion shaft 2	2	○	
2-7	K5051025370	1C5191P washer 25.437	2	○	
2-8	K0830000030	Differential dust seal	2	○	
2-9	K6000000030	25.4 bush 30.142	4	○	
2-10	K0500404350	4 both-end round key 435.5	1	○	
2-11					
2-12	LM22GE-0210AR	LM22G drum	2		
2-13					
2-14	K5090000190	Drum washer	2	○	
2-15	K4007410500	6.3 felt 41.550	2	○	
2-16	K5370000072	Drum bearing cover	2	○	
2-17	K6511000012	Drum bracing	2	○	
2-18	LM22GE-0233A2	Axle	1	○	
2-19	K0200080002	8S washer	6	○	
2-20	K0010080252	8 heat treated bolt 25	2	○	
2-21	K0007060122	6 bolt 12SW	6	○	
2-22	K0007080202	8 bolt 20SW	18	○	
2-23					
2-24	K6510000012	Clutch for axle	2	○	
2-25	K0500505200	5 both-end round key 520	2	○	
2-26	K0023080061	8 hollow set 6	2	○	
2-27	K6909000056	Clutch finger	6	○	
2-28	K6810000040	Ratchet gauge	2	○	
2-29	K6916000012	56 wheel hub	2	○	
2-30	K0613060050	Bearing 60052RDC3	4	○	
2-31	K6081000012	Oiling pipe	2	○	
2-32	K4031000120	Nipple cock	2	○	
2-33	K0401025001	Stop ring S25	2	○	
2-34	K2020000050	Tire 4.10/3.50 - 6 Ass'y	2	○	
2-35	K1440000012	Grease nipple	4	○	

Catalog No.	Code No.	Part Name	Qty /Unit	Common Part	Retail Price
2-36	K0215080001	8 disc spring washer 2H	2	○	
2-37	K7148000062	Axle stopping bracket	2	○△	
2-38	K1030000068	1.5U hook spring 8.535.5	2	○	
2-39	K0006080302	8 bolt 30S	4	○	
2-40	K8005000010	Left axle clutch	1	○	
2-41	K8005000020	Right axle clutch	1	○	
2-42	K0000080122	8 bolt 12	6	○	
※2-43	K802000001R	Drum wheel Ass'y	2	○	
※2-44	LM26GE-0233A2	Axle	1		
☆2-45	LM26TB-0210A0	LM26T drum	2		
☆2-46	LM26TB-0201A0	Drum Ass'y	1		
2-47					
2-48	K5010625372	0.6SPCC washer 25.437	1	○	
2-49	K2160000012	Wheel mounting seat	2	○	
2-50	K0402047001	Stop ring R47	2	○	
2-51	K0401017001	Stop ring S17	2	○	
2-52	K0302025250	2.5 stainless steel cotter pin 25	3	○	
2-53	LM22GE-0201A0	Drum Ass'y	1	○	
※2-54	LM26GE-0201A0	Drum Ass'y	1		
2-55	K2021000030	Tire 4.10/3.50-6	2	○	
2-56	K209000050L	Wheel 3SP-6	2	○	
2-57	K209000051L	Wheel 3SP-6 with valve hole	2	○	
2-58	K2091000220	Tube 4.10/3.50-6	2	○	
2-59	K2931000000	EXCELITE EP No.2	150g		
2-60	K0550000180	5×4.5×20 both-end round key	1	○	

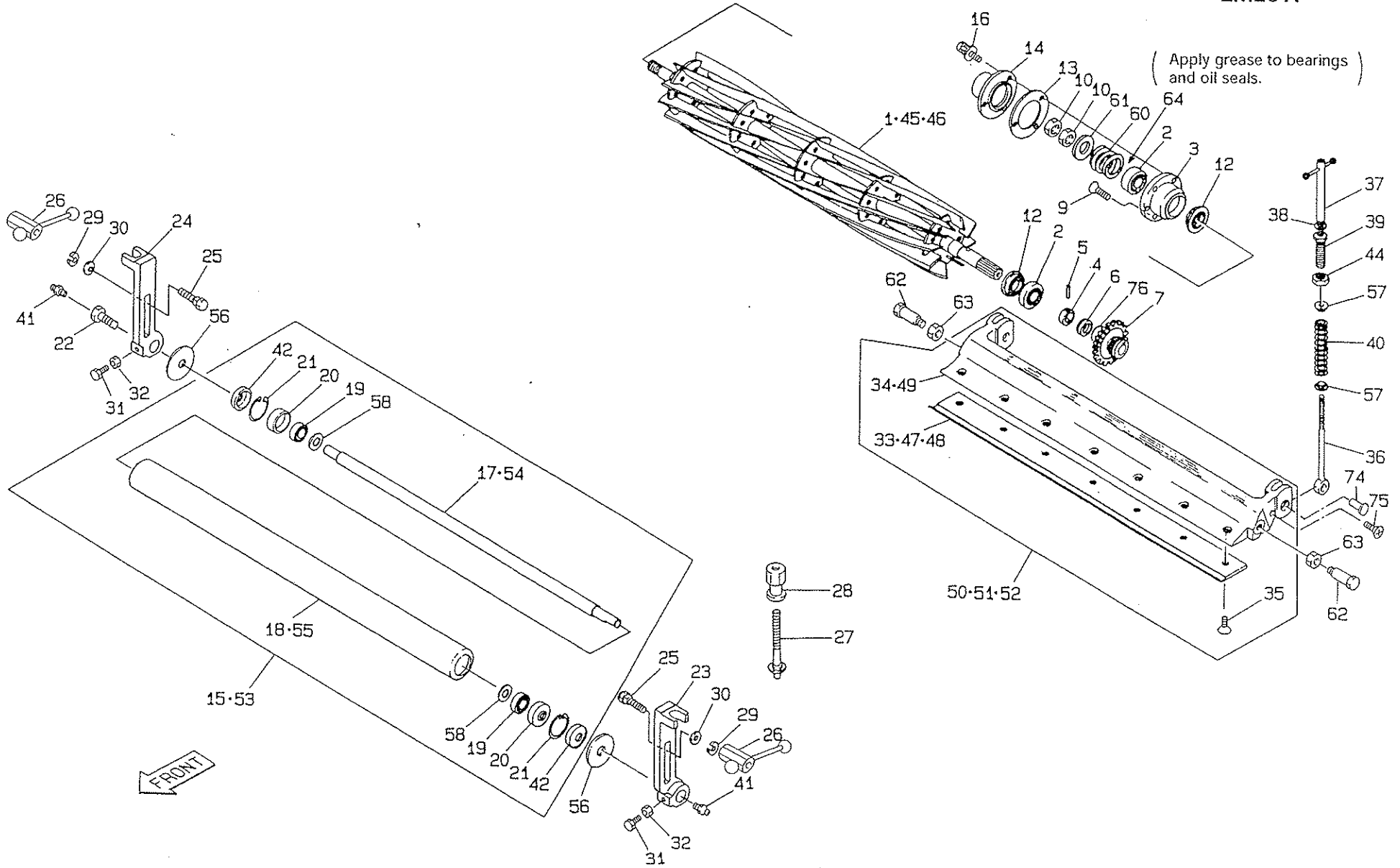
2. Drum wheel

LM22GF、26GF  
LM26TF

3. Blade reel cylinder/front roller/bottom blade

LM22GF、26GF  
LM26TF

( Apply grease to bearings )  
and oil seals.



○: Parts common to LM22GE    △: Parts common to LM55GD    ※: Parts of LM26GF    ☆: Parts of LM26TF

Catalog No.	Code No.	Part Name	Qty /Unit	Common Part	Retail Price
3-1	K28022009FR	Blade reel cylinder 557-9	1		
3-2	K0631302040	Tapered roller 30204JRP6	2	○△	
3-3	K6903000062	Reel housing	1	○	
3-4	K6213000040	Left bearing collar	1	○△	
3-5	K0311045250	4.5 needle roller 25.8	1	△	
3-6	K5300000282	Pinning cover	1	○△	
3-7	LM22GF-0107Z0	44-tooth gear	1		
3-8					
3-9	K0053080252	8 hexagon socket countersunk bolt 25	3	○	
3-10	K0185160002	16 left-hand threaded nut-3P1.5	2	△	
3-11					
3-12	K0830000020	Oil seal 254210	2	○△	
3-13	K4011000070	Reel packing	1	○	
3-14	K6902000012	Reel shaft cover	1	○	
3-15	K8021000010	Front roller Ass'y 577	1	○	
3-16	K0006080202	8 bolt 20S	3	○△	
3-17	K6131000122	Front roller shaft 596	1	○△	
3-18	K740000012D	60 roller 577	1	○	
3-19	K0613062020	Bearing 6202NSEC3	2	○△	
3-20	K0861000030	Oil seal 6202	2	○△	
3-21	K0402042001	Stop ring R42	2	○△	
3-22	K6083000042	15 extension pin 19	1	○△	
3-23	K6804000020	Left roller bracket	1	○	
3-24	K6804000010	Right roller bracket	1	○	
3-25	K0025080352	8 square-base round-head bolt 35	2	○△	
3-26	K1330000050	Screw with handle P1.25	2	○△	
3-27	K7900000050	Roller adjusting screw	2	○△	
3-28	K6084000063	Roller adjuster	2	○△	
3-29	K0213080001	8 disc spring washer 1H	2	○△	
3-30	K5012008182	2SPCC washer 818	2	○△	
3-31	K0000060252	6 bolt 25	2	○△	
3-32	K0100060002	6 nut	2	○△	
3-33	K2511000150	3 bottom blade 62.5-559	1	△	
3-34	LM22GF-0508ZR	Bottom blade base	1		
3-35	K0071000222	6 heat treated countersunk head screw 12	7	○△	

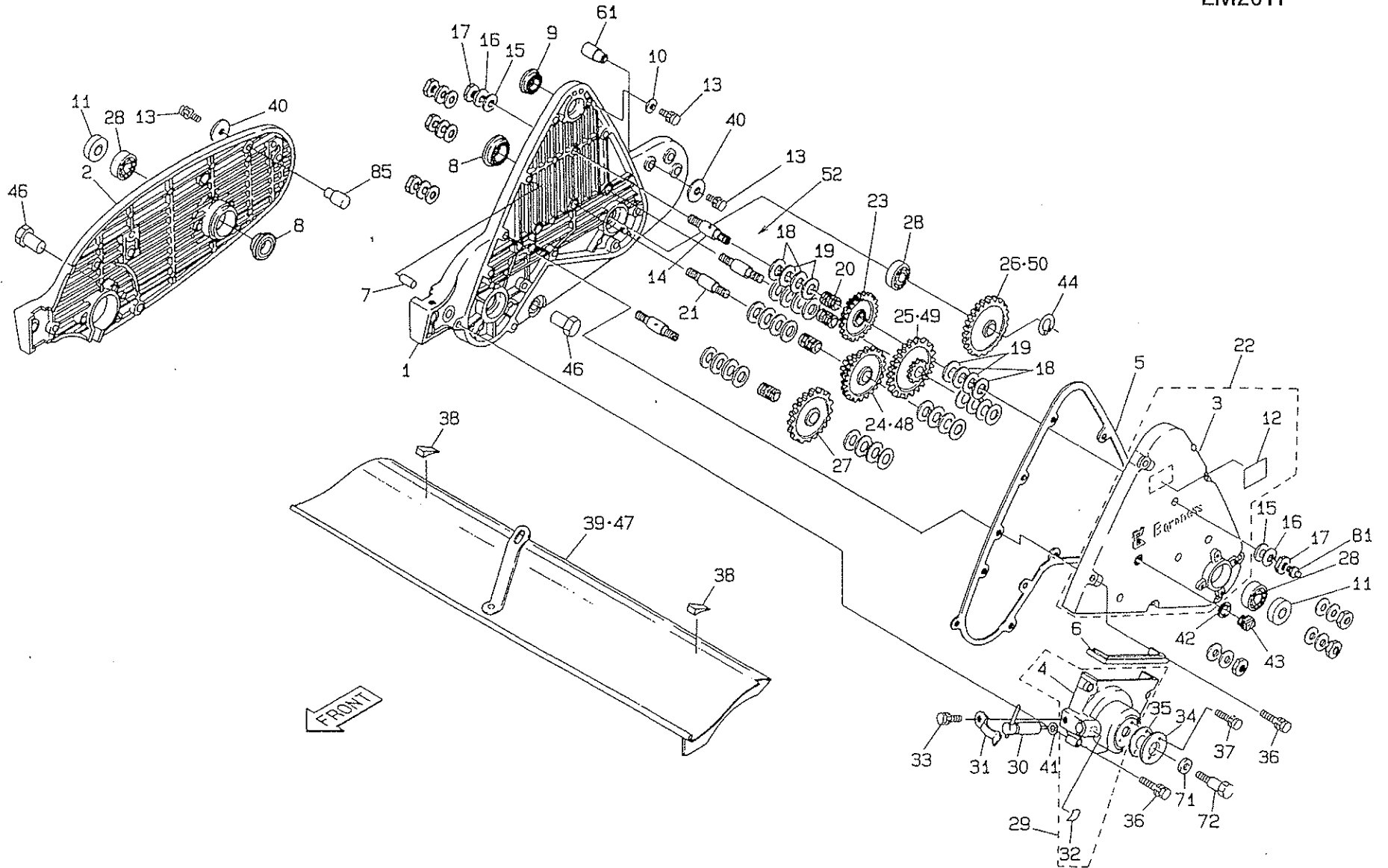
Catalog No.	Code No.	Part Name	Qty /Unit	Common Part	Retail Price
3-36	K6511000062	Cutter adjusting bolt 205	2	△	
3-37	K1330000040	Cutter adjuster Ass'y	2	○△	
3-38	K5011010162	1SPCC washer 1016	2	○△	
3-39	K6081000032	Threaded pipe	2	○△	
3-40	K1000000288	5 compression spring 25116	2	○△	
3-41	K1440000012	Grease nipple	2	○△	
3-42	K0861000020	Oil seal TA1542.38	2	○△	
3-43					
3-44	K0160000122	Cutter adjusting lock nut	2	○△	
※3-45	K28026009FR	Blade reel cylinder 646-9	1		
☆3-46	K28026007FR	Blade reel cylinder 646-7	1		
※3-47	K2510000120	3 bottom blade 62.5-648.4	1		
☆3-48	K2510000140	5 bottom blade 62.5-648.4	1		
※3-49	LM26GF-0508ZR	Bottom blade base	1		
3-50	LM22GF-0502Z0	Bottom blade COMP 22	1		
※3-51	LM26GF-0502Z0	Bottom blade COMP 26	1		
☆3-52	LM26TF-0502Z0	Bottom blade COMP	1		
※3-53	K8021000020	Front roller Ass'y 666	1		
※3-54	K6131000132	Front roller shaft 685	1		
※3-55	K740000006D	60 roller 666	1		
3-56	K5051015470	1C5191P washer 1547	2	○△	
3-57	K6206000052	Spring receiver	4	○△	
3-58	K5051015280	1C5191P washer 1528	2	○△	
3-59					
3-60	K1000000740	3.2 compression spring 26.922	1	△	
3-61	K5012016282	2SPCC washer 1628	1	△	
3-62	K6082000010	Cutter pin R	2	○△	
3-63	K0160000113	Lock nut	2	○△	
3-64	K2931000000	EXCELITE EP No.2	40 g		
3-74	K6030100232	10 flat head pin 23	2	△	
3-75	K0041060122	6 + countersunk head screw 12	2		
3-76	K0880018000	O-ring P18	1		

### 3. Blade reel cylinder/front roller/bed knife

LM22GF、26GF  
LM26TF

4. Frame/transmission

LM22GF, 26GF  
LM26TF



○: Parts common to LM22GE △: Parts common to LM55GD ※: Parts of LM26GF ☆: Parts of LM26TF

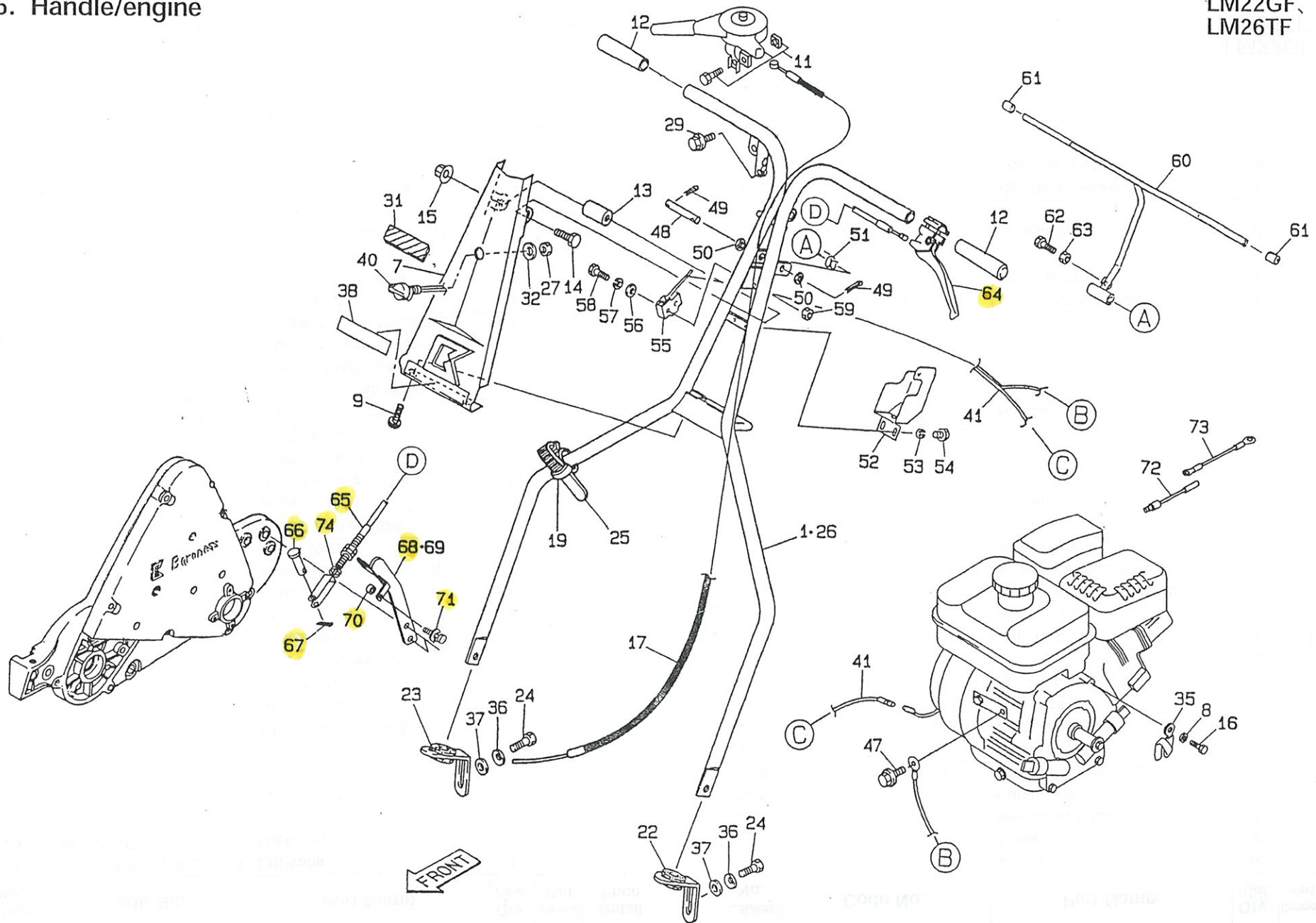
Catalog No.	Code No.	Part Name	Qty /Unit	Common Part	Retail Price
4-1	LM22GE-0601ER	Left frame	1	○	
4-2	LM22GE-0602CR	Right frame	1	○	
4-3	LM22GE-0603ZR	Frame cover	1	○	
4-4	LM22GE-0617ZR	Small frame cover	1	○	
4-5	LM22GE-0604ZO	Frame packing	1	○	
4-6	K4039000040	Joint packing	1	○	
4-7	K6051051200	5.1 heat treated pin 20	1	○	
4-8	K0830000020	Oil seal 254210	2	○△	
4-9	K0811930070	Oil seal MHS19307	1	○△	
4-10	K5011606163	1.6SPCC washer 616	1	○	
4-11	K0852042080	Oil seal PJN20428	2	○△	
4-12	K42090000370	10 hr greasing mark	1		
4-13	K0006060122	6 bolt 12S	3		
4-14	K6122000020	Intermediate shaft with tap	2	○	
4-15	K4015110200	1 fiber 10.220	8	○	
4-16	K5011010202	1SPCC washer 1020	8	○	
4-17	K0160000282	10 nut 3P10H1	8	○△	
4-18	K5051013280	1C5191P washer 1328	16	○△	
4-19	K5020813280	0.8NBS55 washer 1328	16	○△	
4-20	K0711317200	Needle KTW131720	4	○△	
4-21	K6122000030	Intermediate shaft	2	○	
4-22	LM22GF-0604ZO	Frame cover with mark	1		
4-23	K6183000010	2-shaft 42-tooth gear	1	○	
4-24	K6185000020	3-shaft 16-tooth 42-tooth gear	1	○	
4-25	K6185000030	5-shaft 15-tooth 45-tooth gear	1	○	
4-26	K6181000020	45-tooth axle gear	1	○	
4-27	K6183000020	4-shaft 42-tooth gear	1	○	
4-28	K0601062040	Bearing 6204C3	3	○△	
4-29	LM22GF-0617ZO	Frame cover with small mark	1		
4-30	K7321000092	Clutch handle	1	○△	
4-31	K1090000058	Clutch retainer spring	1	○△	
4-32	K4203000080	ON/OFF mark	1	○△	
4-33	K0027060122	6 + Hole upset bolt 12S	1	○△	
4-34	LM22GF-0109Z2	Cutter shaft seal collar	1		
4-35	LM22GF-0110ZO	Cutter shaft grease retaining rubber	1		

Catalog No.	Code No.	Part Name	Qty /Unit	Common Part	Retail Price
4-36	K0007060452	6 bolt 45SW	10		
4-37	K0006060202	6 bolt 20S	2		
4-38	K4039000030	Reel cover rubber	2	○	
4-39	LM22GE-0509AR	Cutter cover	1		
4-40	K5012306252	2.3SPCC washer 625	2	○	
4-41	K0880015000	O-ring P15	1	○△	
4-42	K4010217250	2 oil seat 17.525	1	○△	
4-43	K1400000010	Oil tap 18	1	○△	
4-44	K0401020001	Stop ring S20	1	○△	
4-45			2		
4-46	K6010000010	Cam bush	2	○△	
※4-47	LM26GE-0509AR	Cutter cover	1		
☆4-48	LM5TB--0225ZO	3-shaft 15-tooth 42-tooth gear	1		
☆4-49	LM5TB--0226ZO	5-shaft 14-tooth 46-tooth gear	1		
☆4-50	LM5TB--0237AO	46-tooth gear	1		
4-51					
4-52	K2929000000	DYNAMAX EP No.1	700g		
4-61	K6155000042	Handle mounting pin R	1	○	
4-71	K0821228070	Oil seal MHS12287	1	△	
4-72	K0071000878	10 special bolt 35	1	△	
4-81	K1440000012	Grease nipple	2		
4-85	LM22GE-0609Z2	Handle mounting pin	1	○	
4-86	K2941000000	ThreeBond 1104	15g		

#### 4. Frame/transmission

LM22GF、26GF  
LM26TF

5. Handle/engine





○: Parts common to LM22GE △: Parts common to LM55GD ※: Parts of LM26GF

Catalog No.	Code No.	Part Name	Qty /Unit	Common Part	Retail Price
5-1	K 7 1 0 0 0 0 0 2 0 L	Handle 54E	1	△	
5-2					
5-3					
5-4					
5-5					
5-6	K 5 3 7 0 0 0 0 0 4 L K 0 2 0 0 0 8 0 0 0 2 K 0 0 4 8 0 4 0 0 6 2	Handle cover 8S washer 4 + Round head screw 6S	1 1 2	△  ○△	
5-7					
5-8					
5-9					
5-10	K 1 2 0 3 5 2 1 0 0 0 K 1 3 0 0 0 0 0 1 4 0 K 6 2 1 1 0 0 0 0 3 2 K 0 0 4 2 0 5 0 2 5 2 K 0 1 4 3 0 5 0 0 0 2	Throttle lever E352100 Black handle grip 21 6.5SGP collar 10.516 5 + Round head screw 25 5 nut with disc spring	1 2 1 1 1	○△ ○△ ○△ ○△ ○△	
5-11					
5-12					
5-13					
5-14					
5-15	K 0 0 0 0 0 8 0 1 2 2 K 1 1 1 0 1 1 7 0 0 0 K 2 6 2 0 0 0 0 3 7 0 K 4 2 4 1 0 0 0 0 7 0	8 bolt 12 Throttle wire 1170 ROBIN EX13D Urethane tube 7	1 1 1 1	○△   ○△	
5-16					
5-17					
5-18					
5-19					
5-20	LM22GE-0715Z0 LM22GE-0716Z0 K 0 0 1 0 1 0 0 2 5 1 K 4 2 4 1 0 0 0 0 1 0	Left handle adjuster Right handle adjuster 10 heat treated bolt 25 Nylon band 140	1 1 2 2	○△ ○△ ○△ ○△	
5-21					
5-22					
5-23					
5-24					
5-25	K 7 1 0 0 0 0 0 2 6 L K 0 1 0 2 0 8 0 0 0 2 K 0 2 1 0 0 8 0 0 0 2 K 0 0 0 6 0 5 0 2 0 2	Handle 64E 8 nut 3 8 disc spring L 5 bolt 20S	1 2 1 1	△ △ △ ○△	
※5-26					
5-27					
5-28					
5-29	K 4 0 3 3 0 0 0 0 7 0 K 0 2 1 0 0 8 0 0 0 2	Handle cover rubber cushion 8 disc spring L	1 1	○△  	
5-30					
5-31					
5-32					
5-33					
5-34	K 4 2 8 1 0 0 0 0 2 0	8.5 harness clamp 80	1	○△	
5-35					
5-36					
5-37	K 5 0 1 2 3 1 0 2 5 2	2.3SPCC washer 1025	2	○△	

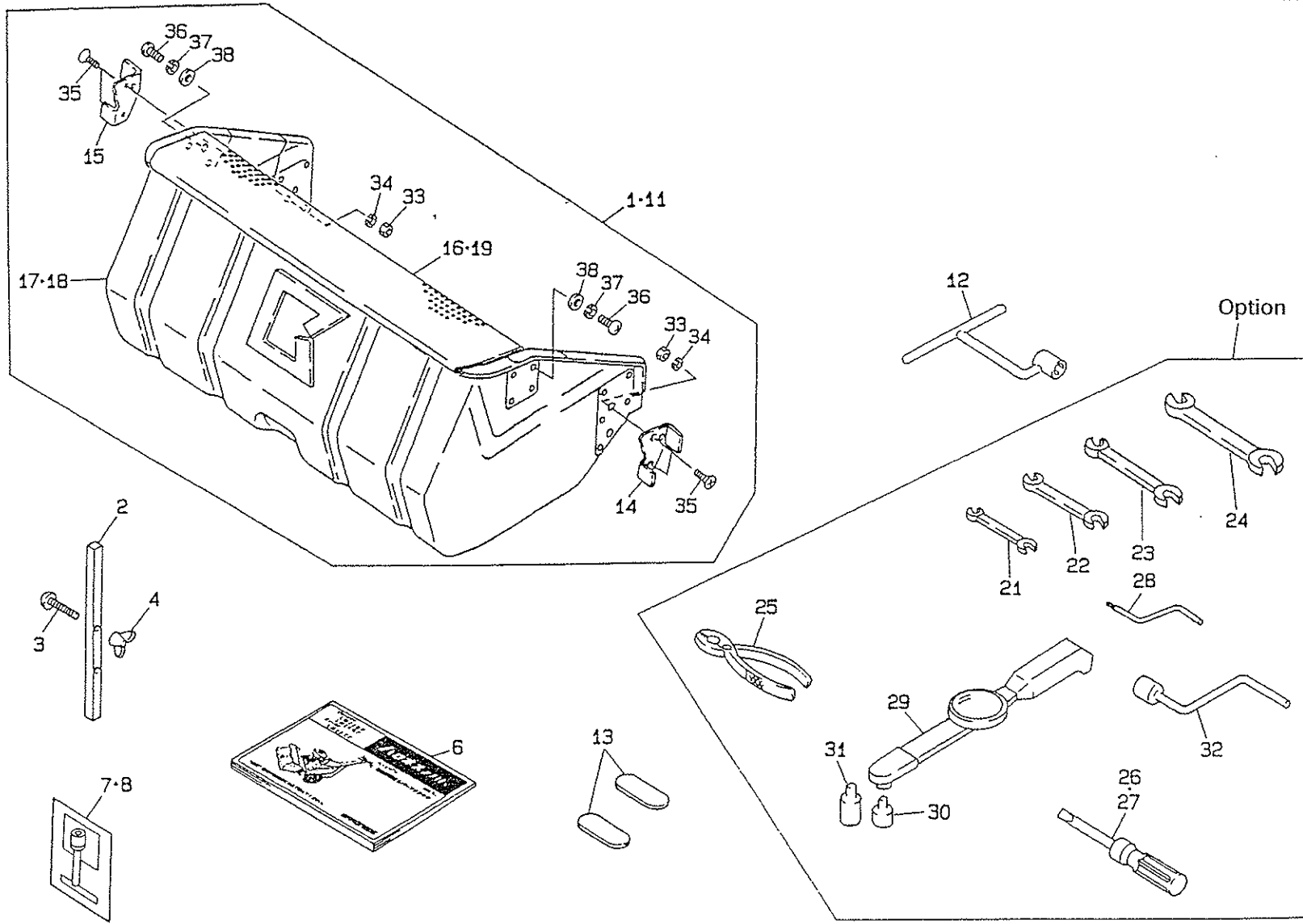
Catalog No.	Code No.	Part Name	Qty /Unit	Common Part	Retail Price
5-38	K 4 2 0 1 0 0 0 4 2 0	Saxon mark	1	△	
5-39	K 3 6 6 2 0 0 0 0 5 0	Engine switch FR56361-A	1		
5-40					
5-41	K 3 6 2 0 0 0 0 6 5 0	Engine switch cord S	1	△	
5-42					
5-43					
5-44					
5-45					
※5-46	K 0 0 0 0 0 8 0 1 5 2 K 6 1 5 1 0 0 0 1 1 2 K 0 3 0 0 0 2 5 1 6 2 K 5 0 0 0 1 0 0 0 0 2	8 bolt 15S 10 shaft 72 with two holes 2.5 cotter pin16 10 washer	1 1 2 2		
5-47					
5-48					
5-49					
5-50					
5-51	K 1 0 5 0 0 0 0 1 5 8 K 7 1 6 3 0 0 0 2 8 L K 0 2 0 0 0 6 0 0 0 2 K 0 0 0 0 0 6 0 1 0 2 K 3 6 7 0 0 0 0 0 8 0	2.3 twisted coil spring 25.6 Switch cover 6S washer 6 bolt 10 Switch AM1711 hinge	1 1 2 2 1		
5-52					
5-53					
5-54					
5-55					
5-56	K 5 0 0 0 0 4 0 0 0 2 K 0 2 0 0 0 4 0 0 0 2 K 0 0 0 0 0 4 0 3 0 2 K 0 1 0 0 0 4 0 0 0 2 K 7 4 2 2 0 0 0 1 0 L	4 washer 4S washer 4 bolt 30 4 nut Engine lever	2 2 2 2 1		
5-57					
5-58					
5-59					
5-60					
5-61	K 1 3 1 0 0 0 0 1 0 0 K 0 0 0 0 0 6 0 2 5 2 K 0 1 0 0 0 6 0 0 0 2 K 1 2 1 1 4 6 0 0 1 0 K 1 1 3 0 1 4 0 0 0 0	10.5 black cap 6 bolt 25 6 nut Clutch lever E146001 Clutch wire 1400	2 1 1 1 1		
5-62					
5-63					
5-64					
5-65					
5-66	K 6 0 3 1 0 6 0 1 7 2 K 0 3 0 0 0 2 0 1 6 2 LM22GF-1801ZR LM26GF-1801ZR LM22GF-1802ZR	6 heat treated flat head pin 17 2 cotter pin 16 Wire clamp Wire clamp Collar 8	1 1 1 1 1		
5-67					
5-68					
5-69					
5-70					
5-71	K 0 0 0 7 0 6 0 6 0 2 K 3 6 2 0 0 0 0 6 6 0 K 3 6 2 0 0 0 0 6 7 0 K 1 0 0 0 0 0 0 2 7 8	6 bolt 60SW Black cable 80 Black cable 110 0.8 compression spring 765	1 1 1 1		
5-72					
5-73					
5-74					

5. Handle/engine

LM22GF、26GF  
LM26TF

6. Accessory parts / tools

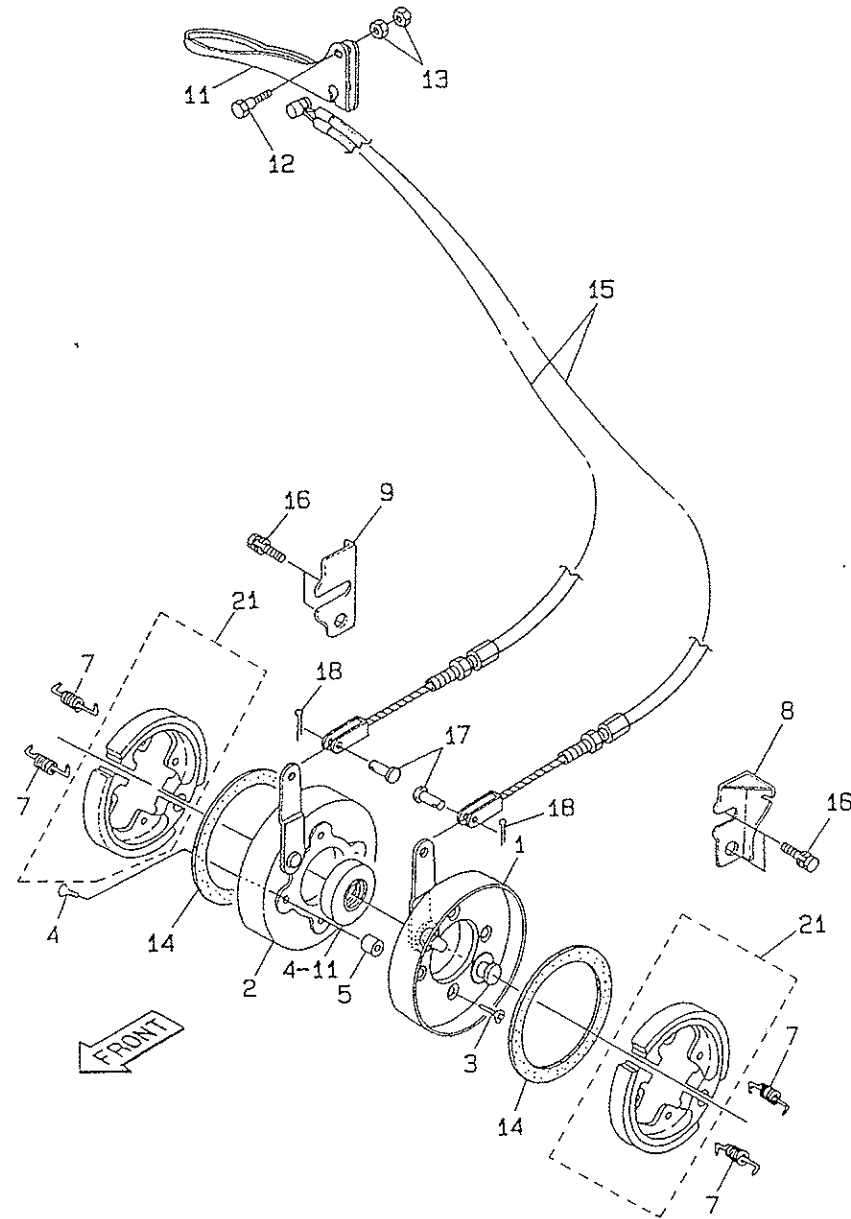
LM22GF、26GF  
LM26TF





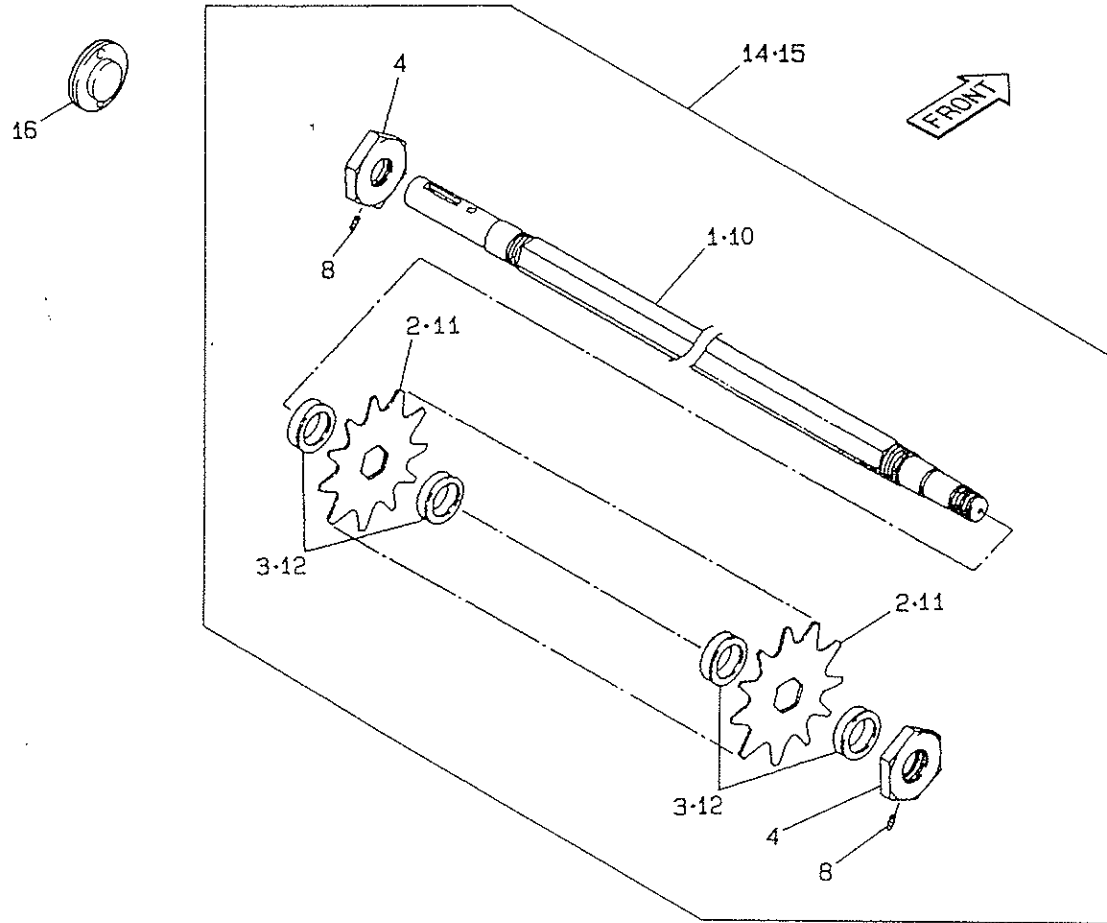
7. Internal expanding brake parts

LM22GF、26GF  
LM26TF





8. Dethatching reel (Option)



Catalog No.	Code No.	Part Name	Qty /Unit	Common Part	Retail Price
8- 1	LM22GF-1702Z2	Vertical blades shaft	1		
8- 2	K2570000029	Vertical blade 128	36		
8- 3	K6212001172	31.7STKM collar 4213	37		
8- 4	K0160000422	27 special nut P1.5-10	2		
8- 5					
8- 6					
8- 7					
8- 8	K0023060121	6 hollow set 12	2		
8- 9					
※8-10	LM26GF-1702Z2	Vertical blades shaft	1		
※8-11	K2570000029	Vertical blade 128	43		
※8-12	K6212001173	31.7STKM collar 4213	44		
8-13					
8-14	LM22GF-1701Z0	Dethatching reel Ass'y	1		
※8-15	LM26GF-1701Z0	Dethatching reel Ass'y	1		
8-16	LM22GE-0109Z0	Cutter shaft grease retainer	1		

※: Parts of LM26GF

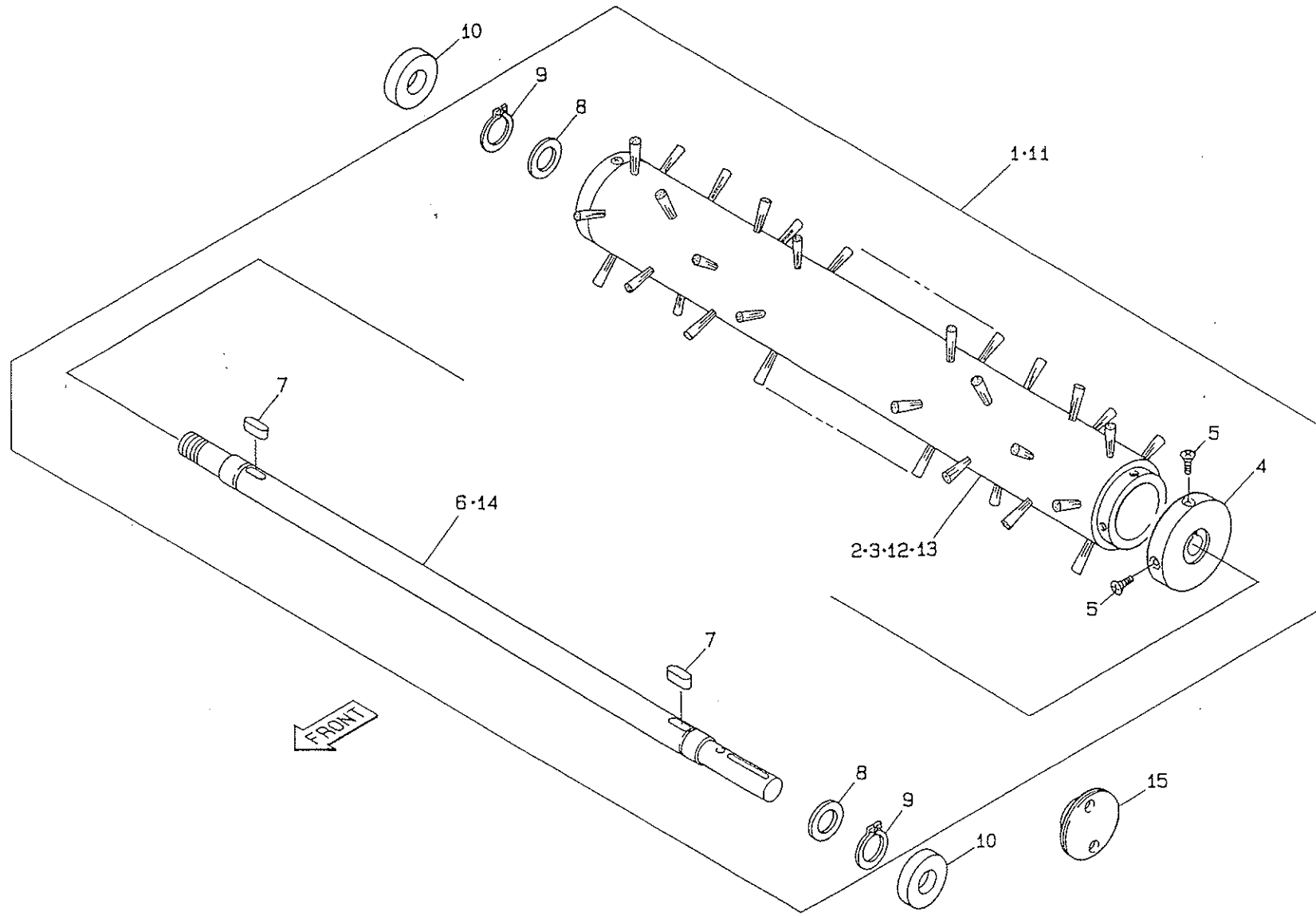
Catalog No.	Code No.	Part Name	Qty /Unit	Common Part	Retail Price

8. Dethatching reel (Option)

LM22GF、26GF  
LM26TF

9. Sweeping brush (Option)

LM22GF、26GF  
LM26TF





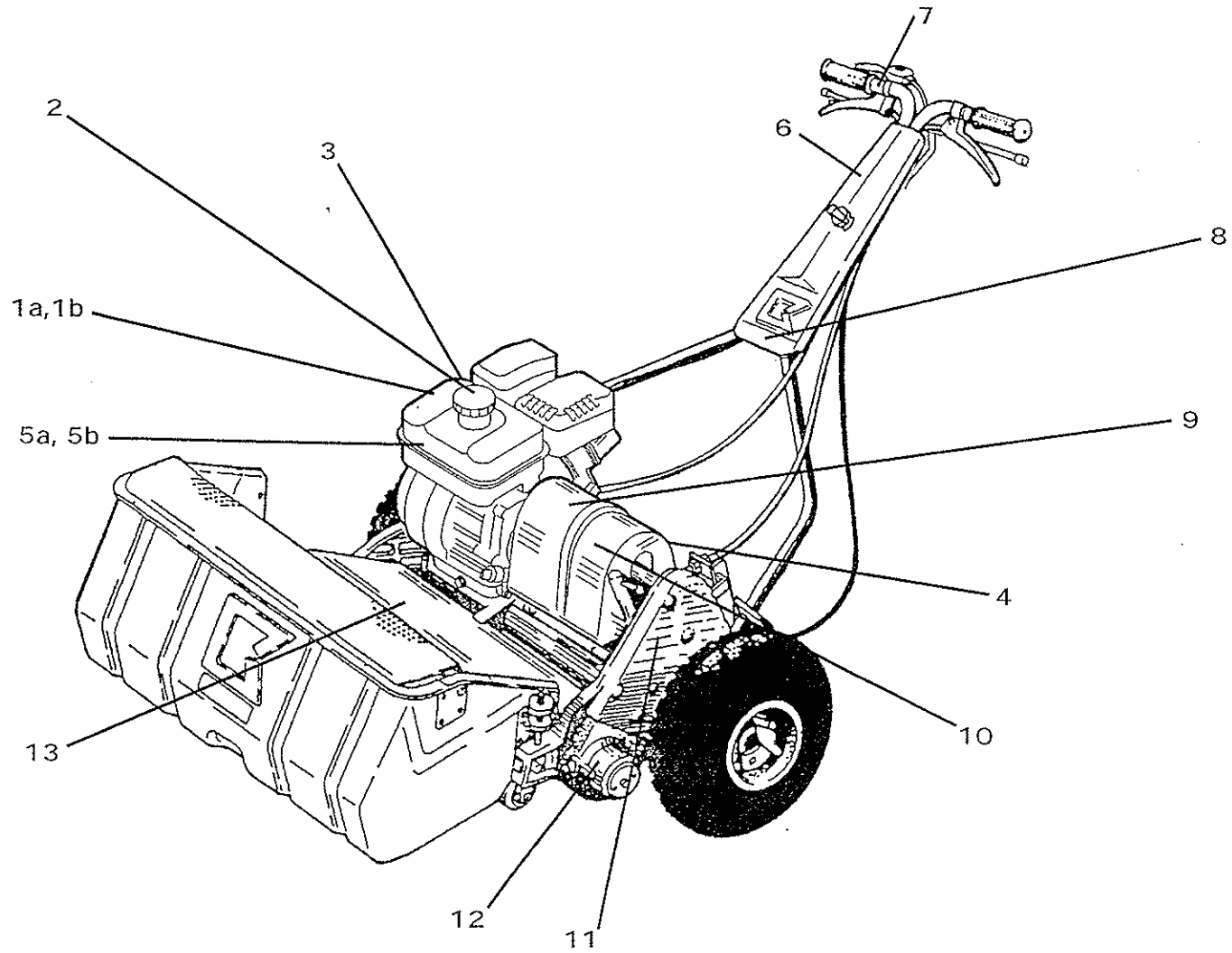
Catalog No.	Code No.	Part Name	Qty /Unit	Common Part	Retail Price
9-1	LM22GF-1601Z0	Brush shaft Ass'y	1		
9-2	K4150000030	55 brush 135COMP	1		
9-3	K4150000050	55 brush 135	1		
9-4	K6205000082	Metal	1		
9-5	K0065380132	3.8 slotted countersunk head screw 13	8		
9-6	LM22GF-1602Z2	Brush shaft	1		
9-7	K0500505160	5 both-end round key 516	2		
9-8	K5051022300	1C5191P washer 2230	2		
9-9	K0401022001	Stop ring S22	2		
9-10	K0852242080	Oil seal PJN22428	2		
※9-11	LM26GF-1601Z0	Brush shaft Ass'y	1		
※9-12	K4150000040	65 brush 135COMP	1		
9-13	K4150000060	65 brush 135	1		
※9-14	LM26GF-1602Z2	Brush shaft	1		
9-15	LM22GE-0109Z0	Cutter shaft oil retainer	1		

※: Parts of LM26GF

Catalog No.	Code No.	Part Name	Qty /Unit	Common Part	Retail Price

<b>9. Sweeping brush (Option)</b>	LM22GF、26GF LM26TF
-----------------------------------	-----------------------

# Location of Labels



## DECAL CODE NUMBER FOR LM22GF/26TF SAXON MODEL

	Code No.	Name	Qty/Unit
1a	K4209000880	LWA 98 mark (LM22GF)	1
1b	K4209000880	LWA 98 mark (LM26TF)	1
2	K4205001300	Engine Oil Warning Mark	1
3	K4205001330	Noise Warning Mark	1
4	K4209000640	CE Mark	1
5a	LM22GF-1901Z0	Model Name Mark (LM22GF)	1
5b	LM26TF-2301Z0	Model Name Mark (LM26TF)	1
6	K4203001040	Clutch Mark	1
7	K4203000970	BRAKE Mark	1
8	K4201000420	SAXON Mark	1
9	K4205001310	SAFETY INSTRUCTIONS Mark	1
10	K4205001290	HEALTH & SAFETY WARNING Mark	1
11	K4209000370	Grease Up 10h Mark	3
12	K4203000080	On/Off Mark	1
13	K4205001280	DANGER Mark	1

LM26TF Saxon Model serial No.10567 and upward have the following drum assy and gears for GF Model.

2-54	LM26GE-0201A0	Drum Ass'y
4-24	K6185000020	3-shaft 16-tooth 42-tooth gear
4-25	K6185000030	5-shaft 15-tooth 45-tooth gear
4-26	K6181000020	45-tooth axle gear

## LEVER / SWITCH OPERATION

The lever/switch system in proper working order provides the following operation patterns.  
 For starting traveling operation, carry out OPR.7, OPR.3 and OPR.1 in order

	Engine lever	Travelling clutch lever	Engine switch	Engine position	Travel / Stop
OPR. 1	ON	ON	ON	STARTING	TRAVEL
OPR. 2	ON	ON	OFF	STOP	STOP
OPR. 3	ON	OFF	ON	STARTING	STOP
OPR. 4	ON	OFF	OFF	STOP	STOP
OPR. 5	OFF	ON	ON	STOP	STOP
OPR. 6	OFF	ON	OFF	STOP	STOP
OPR. 7	OFF	OFF	ON	STARTING	STOP
OPR. 8	OFF	OFF	OFF	STOP	STOP

Engine lever GRIP = ON  
 RELEASE = OFF

Travelling clutch lever GRIP = ON  
 RELEASE = OFF





## Manufacturers Declaration of Conformity for

### Product Identification

Product : Walk-behind lawnmower  
Brand : BARONESS ( Saxon )  
Type : LM22GF  
Starting Serial No. : 11171  
Measured Sound Power Level : LWA 95.6/98 dB  
Guaranteed Sound Power Level : LWA 98 dB  
Manufacturer Name :  
Address :

Kyoeisha Co., Ltd.  
1-26 Miyuki-cho, Toyokawa, Aichi-pref.,  
Japan

### Technical Documentation Keeper's Name : Keeper's Address :

Kyoeisha Co., Ltd.  
1-26 Miyuki-cho, Toyokawa, Aichi-pref.,  
Japan

### Conformity Assessment Procedure :

Internal Control of Production with Assessment of  
Technical Documentation and Periodical Checking  
( Annex VI ) of 2000/14/EC

### Involved Notified Body

Name :  
Address :

SNC-H  
11, Route de Sandweiler  
5230 Sandweiler  
Luxembourg

### Technical Construction File

Date :

February 12, 2003

Technical Construction File No. :

No. TC022GF-01

Test Laboratory

TUV Rheinland Luxembourg GmbH  
Centre Commercial "Le2000" Z.I. Route de Bettembourg  
L-3378 LUVANGE Luxembourg


### Means of conformity

The product is in conformity with the Directive relating to the noise emission in the environment by equipment for use outdoors 2000/14/EC, in accordance with Article 12 of the Directive.

References of other Community Directives applied

89/392/EEC

Signature :



Katsuaki Makino  
Manager  
Development Dept.  
Kyoeisha Co., Ltd.

Date :

February 12, 2003



## Manufacturers Declaration of Conformity for

### Product Identification

Product : Walk-behind lawnmower  
Brand : BARONNESS ( Saxon )  
Type : LM26TF  
Starting Serial No. : 10703  
Measured Sound Power Level : LWA 95.94 dB  
Guaranteed Sound Power Level : LWA 98 dB  
Manufacturer  
Name :  
Address :  
Kyoisha Co., Ltd.  
1-26 Miyuki-cho, Toyokawa, Aichi-pref.,  
Japan

### Technical Documentation

Keeper's Name :  
Keeper's Address :  
Kyoisha Co., Ltd.  
1-26 Miyuki-cho, Toyokawa, Aichi-pref.,  
Japan

### Conformity Assessment Procedure :

Internal Control of Production with Assessment of  
Technical Documentation and Periodical Checking  
( Annex VI ) of 2000/14/EC

### Involved Notified Body

Name : SNC-H  
Address : 11, Route de Sandweiler  
5230 Sandweiler  
Luxembourg

### Technical Construction File

Date : February 12, 2003  
Technical Construction File No. : No. TC026TF-01  
Test Laboratory : TUV Rheinland Luxembourg GmbH  
Centre Commercial "Le2000" Z.I. Route de Bettenbourg  
L-3378 LIVANGE Luxembourg

### Means of conformity

The product is in conformity with the Directive relating to the noise emission in the environment by  
equipment for use outdoors 2000/14/EC, in accordance with Article 12 of the Directive.

### References of other Community Directives applied

89/392/EEC


### Signature :



Katsuaki Makino  
Manager  
Development Dept.  
Kyoisha Co., Ltd.

Date :

February 12, 2003

 **KYOISHA CO., LTD.**  
Turf Care Machinery  
BROADNESS  
Tel: (0533) 84-1221  
Fax: (0533) 84-1220

Head Office  
1-26, Miyuki-cho, Toyokawa,  
Aichi-Pref. 442-8530 Japan.