

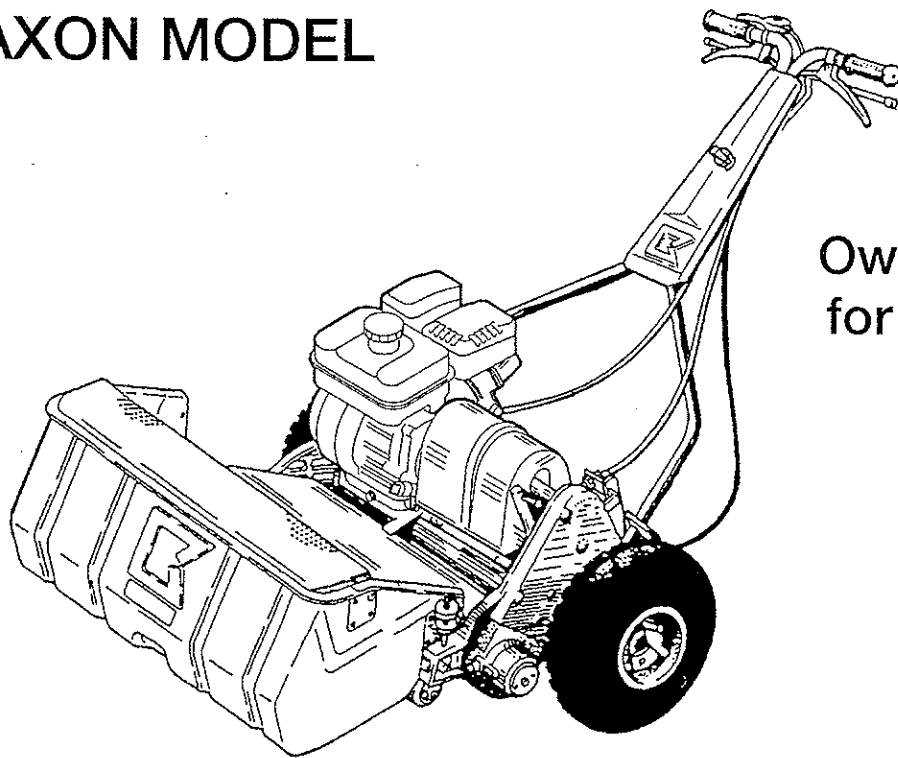
GREEN MOWER
LM22GF
LM26GF

TEERING GROUND MOWER
LM26TF

BARONNESS

LAWN MOWER

SAXON MODEL



Owner's Handling Manual & Parts Catalog
for Saxon 2003 Model

Read this manual before using the machine.

BARONNESS

CONTENTS

CONTENTS	1
Warning for Safety	2
Greeting	2
Owner's Handling Manual	2
1. Part names	3
2. Specifications	4
3. Features	4
4. Assembly/adjustment of main unit	5
5. Inspection before use	6
6. Fastening of each portion	6
7. Engine starting sequence	6
8. Machine operation	6 • 7 • 8 • 9
9. Blade engagement	9 • 10 • 11
10. Long-term storage	11
11. Precautions for engine operation	12
12. Special optional parts	12 • 13

Parts Catalog	14
1. Engine clutch stand	15 • 16
2. Drum wheel	17 • 18
3. Blade reel cylinder/front roller/bottom blade	19 • 20
4. Frame/transmission	21 • 22
5. Handle/engine	23 • 24
6. Accessory parts	25 • 26
7. Internal expanding brake parts	27 • 28
8. LM22GE/26GE dethatching reel (Option)	29 • 30
9. Sweeping brush (Option)	31 • 32

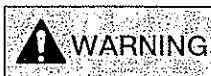
Warning for Safety

Warning marks indicate important items for safety.
Observe them strictly.

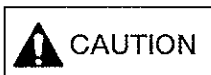
Warning Marks



Negligence of the warning will cause death or serious injury.



Negligence of the warning may cause death or serious injury.



Negligence of the warning may cause injury.

Symbols



See the Handling Manual



Engine switch lever



Fuel : Gasoline



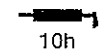
Hot surface
Burn on hand



Danger mark
Hand cut



Danger mark
Foot cut



10h

Grease
Every 10hours



CAUTION : Joint shaft

Greeting

Thank you very much for purchasing BARONESS GREEN MOWER and TEEING GROUND MOWER.

This Owner's Handling Manual explains the method of correct handling, adjustment, and maintenance of the mower. Thoroughly read the manual before operation. Carefully read the engine operation manual before starting the engine. Mowers undergo thoroughgoing trial operation and inspection before shipment. However, whether or not the mower can exhibit the expected performance depends on the handling method, inspection/adjustment before and after operation, and the properness of lubrication. Handle the mower correctly for safe and excellent operation for an extended period of time.

Owner's Handling Manual

Precautions:

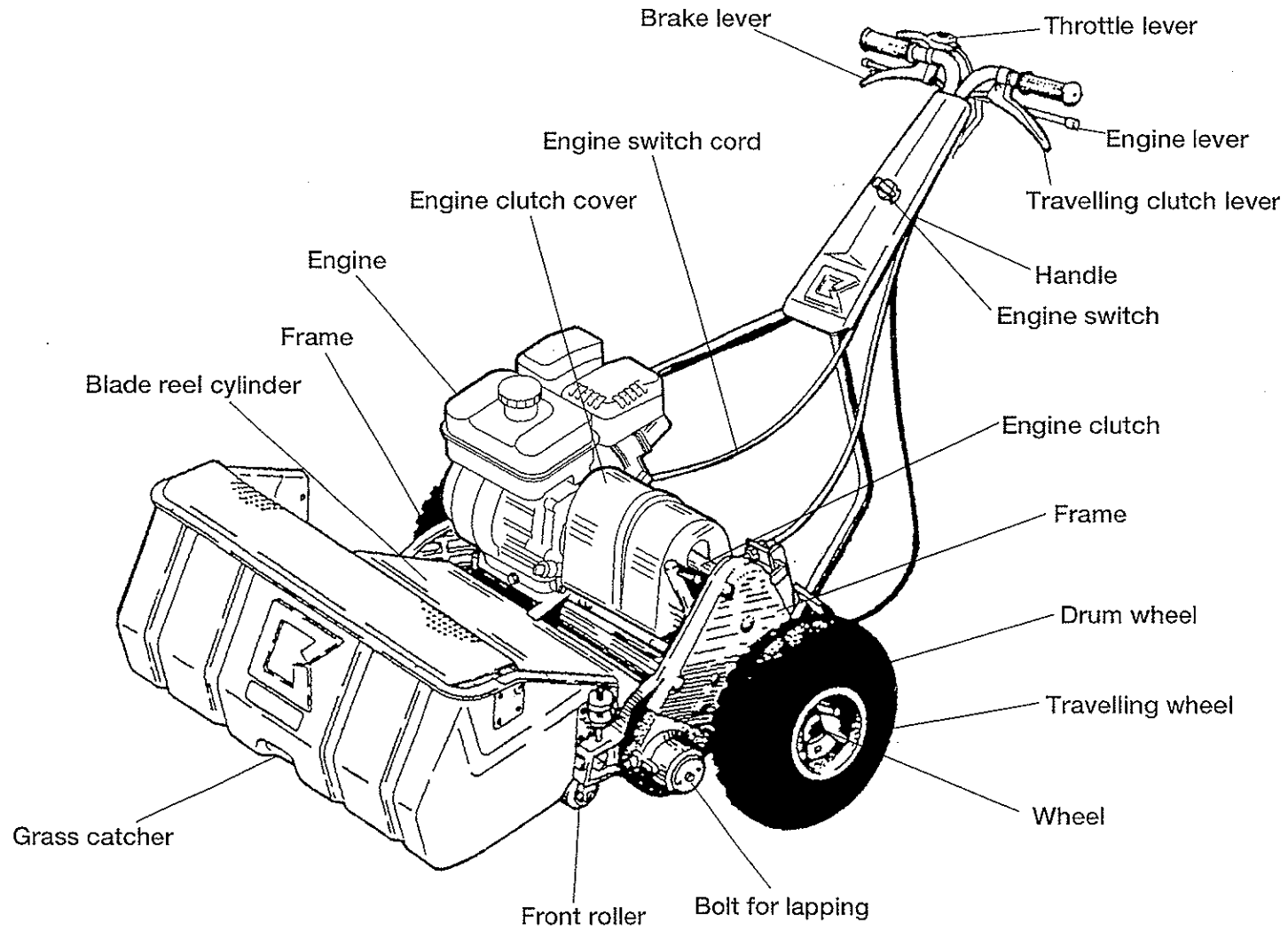
- The name of the model may be different when you make an inquiry about your machine. Advise us of the machine number as well.
- The contents of this manual are subject to change without notice.



CAUTION

The warning marks attached to the machine indicate precautions for safety. Read them carefully. Understand well the operating procedures and safety precautions before using the machine. The marks and explanatory notes should be kept clean. If they are lost or damaged, attach new marks.

1. Part names



2. Specifications

2-1. Main unit



The engine brake will not work. Use a carrier or truck to move the mower.

	LM22GF	LM26GF	LM26TF
Length (cm)	135	←	←
Width (cm)	91	100	←
Height (cm)	111	←	←
[Weight] During operation (kg)	84.3	89	←
[Weight] Grass catcher	3.2	3.8	←
[Mowing section] Mowing width (cm)	55.6	64.6	←
[Mowing section] Reel dia. (cm)	φ 12.8	←	←
[Mowing section] Number of reel blades *	9 *	←	7
Frame	Aluminum alloy	←	←
Front roller (cm)	φ 6×57.7	φ 6×66.6	←
Drum wheel (cm)	Steel pipe drum φ 19.6×53.5	Steel pipe drum φ 19.6×62.5	Aluminum drum φ 20.3×62.5
Speed (km/h)	5	←	4.3
Engine	ROBIN EX13D K2620000370		←

- The weight excludes the travelling wheel (6.4 kg) and grass catcher.
- The above speed is available when the engine is rotating at 3000 rpm.
- * 11-blade reel cylinder available as an option.

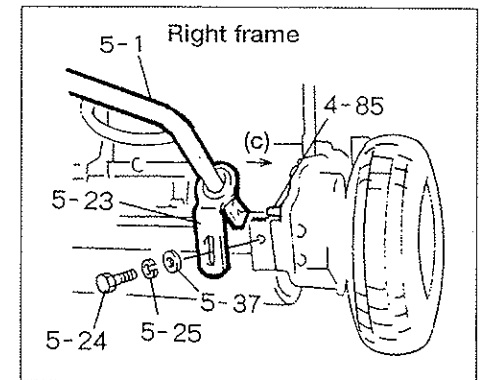
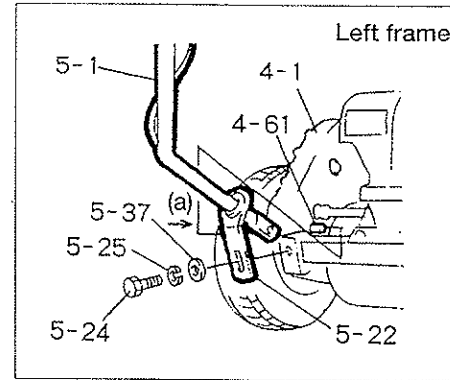
3. Features

- 3-1. The handle is provided with an engine switch for safe operation.
- 3-2. The coil spring makes uniform the preload applied to the tapered bearing by the blade reel cylinder, ensuring stable rotation and facilitating adjustment.
- 3-3. These mowers are the lightest of all models in this class, permitting easy operation.
- 3-4. The blade reel cylinder made of specially-blended heat treated steel cuts well and excels in durability.

4. Assembly/adjustment of main unit

4-1. Fit the handles into the handle pins on both sides of the frame, respectively, in order of (a), (b), and (c).

- (a) Fit the handle mounting pin R (4-61) on the left frame (4-1) into the hole at the front end of the handle. ←
- (b) Pull the right edge of the handle toward the inside. ←
- (c) Fit the handle pin L (4-85) on the right frame into the hole at the right front end of the handle. →



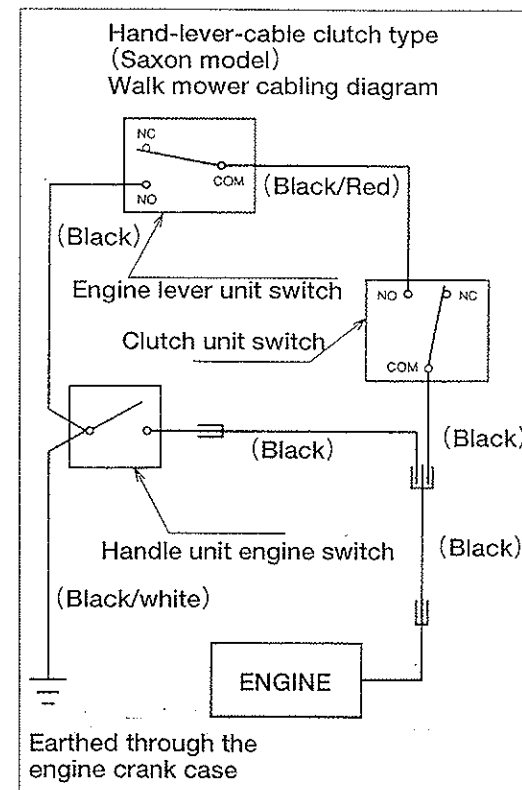
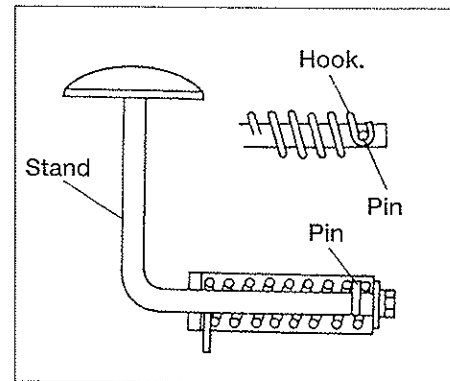
4-2. Installation of stand

Hook the U-shaped portion of the spring on the pin using a tool to install the stand.

4-3. Connection check of engine switch cord

Check the connection of the engine switch cord during installation of the handle referring to the right cabling diagram.

Be sure to connect the engine switch cord, otherwise the engine will not stop.



5. Inspection before use

5-1. Greasing



The transmission and intermediate transmission gears are equipped with needle bearings. Grease them every 10 hours. Shortage of grease will cause heat generation and a grating sound.

5-2.

Replenish the engine with engine oil. (A correct level will be shown when the engine is placed horizontally.) Change engine oil 5 hours after the initial operation, and every 50 hours from the second time onward. Oil : SAE30.

6. Fastening of each portion

Many parts are fastened by bolts.

Bolts and nuts may be loosened some time after initial operation.

Fasten them to the specified torque.

Appropriate fastening torque N·m(kgf·cm)



	Normal bolt	Heat treated bolt
M6	8 (80)	
M8	18 (180)	36 (360)
M10	36 (360)	72 (720)
M16	1.5-pitch left-hand thread: 36 (360)	

7. Engine starting sequence



7-1. Before starting engine

Carefully read the gasoline engine operation manual before starting the engine. Check the ON/OFF positions of the engine switch lever at the front of the handle. Set the engine switch lever in the ON position, set all moving parts in the neutral position. Check for safety - covers are in position and not damaged and there is no person around the machine - before starting the engine. Do not start the engine indoors without an appropriate ventilator.

7-2. Starting the engine

- (1) Set the clutch lever in the OFF position. (See 9-2.)
- (2) Set the throttle lever in the high-speed  position.
- (3) Grasp the engine lever together with the handlebar. 
- (4) Set the strainer lever in the open position.
- (5) Pull the choke lever and pull the recoil starter, and the engine will start.
- (6) Return the choke lever.

7-3. Stopping the engine (Remember the method for stopping the engine in an emergency.)

- (1) Set the clutch lever in the OFF position.
- (2) Set the throttle lever in the slow-speed  position. 
- (3) Set the strainer lever in the close position.
- (4) Release the engine lever.
- (5) Release the engine lever immediately in an emergency.

7-4. Fuel supply Gasoline for automobiles

- (1) Keep flame etc. away from the engine when supplying fuel. Stop the engine outdoors and allow it to cool before supplying fuel.
- (2) Keep the machine clean at all times to prevent deposition of dust, grease, or oil.

7-5. When leaving the machine

Park the machine on a flat place. Check that the engine switch lever is in the OFF position. Do not park the machine on a slope.

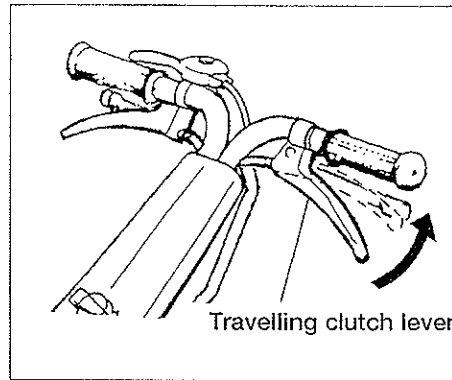
8. Machine operation

8-1.

Check that each portion - especially the brake and clutch - operates satisfactorily before starting machine operation. Make sure that the machine can be stopped immediately at any time. Exercise care so that you and people around the machine will not be injured.

8-2. Travelling clutch lever

The travelling lever is on the left side of the handle. Grip the lever, and it will enter the ON position, and the machine begins to travel. Move the lever slowly.



8-3. Reel clutch lever

The reel clutch lever is provided in the lower front position at left. Set it in the ON and OFF positions for engagement and disengagement, respectively. Set it in the OFF position when moving the machine.

8-4. Adjustment of handle height

Move the handle guide plates (5-22 and 5-23) vertically to change the height of the handle according to the height of the operator.

8-5. WARNING Brake lever

The brake lever is provided at right. Grip the lever, and the brake drums set on the right and left drum shafts operate simultaneously. If the braking performance is nonuniform, make adjustment for uniform operation.

8-6. Throttle lever

The throttle lever is on the right side of the handle. The lever controls the engine speed. The adjustment range is 1350-3300 rpm. The engine speed should be 3000 rpm for mowing operation.

8-7. [IMPORTANT] Adjustment of engine clutch

(1) When reinstalling the engine:

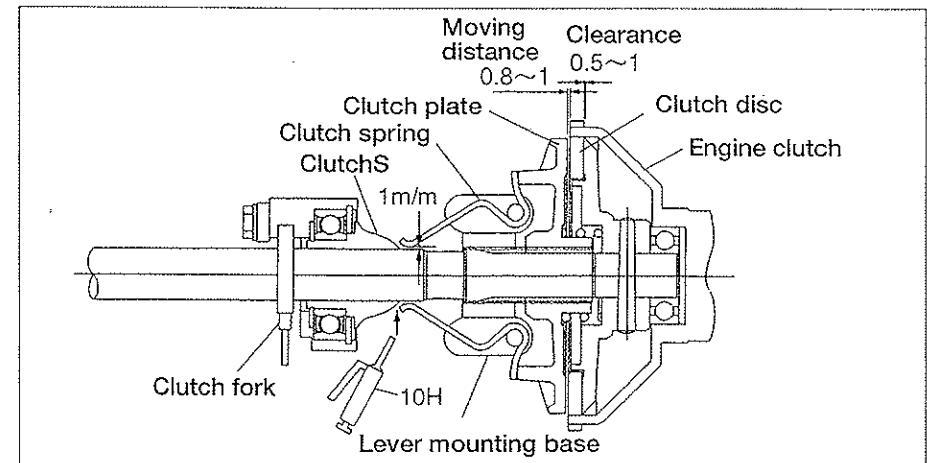
Adjust the clearance between the engine clutch and clutch facing so that it will be approx. 0.5 mm when the travelling clutch is engaged. For adjustment, loosen the four bolts that are securing the engine, and insert a thickness gauge (attached) into the front and rear. Make adjustment so that the gap will be parallel, and then fasten the bolts.

(2) After using a new machine for 10 hours or when the clutch spring is changed: Make adjustment so that the difference in the position of the clutch plate when the clutch is engaged and disengaged will be 0.8-1 mm.

Loosen the bolt (1-10) that is securing the lever mounting base (1-7), screw in the base up to an appropriate position, and then secure the base with the bolt. (See the figure below.)

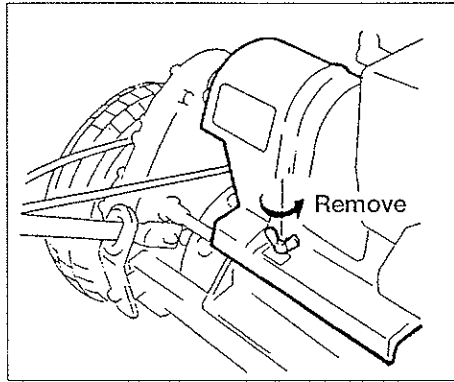
Apply grease sufficiently to the clutchS, and check them every 10 hours.

Adjust the clutch fork so that it will be in the center of the clutch when the clutch is engaged.



8-8. Clutch cover

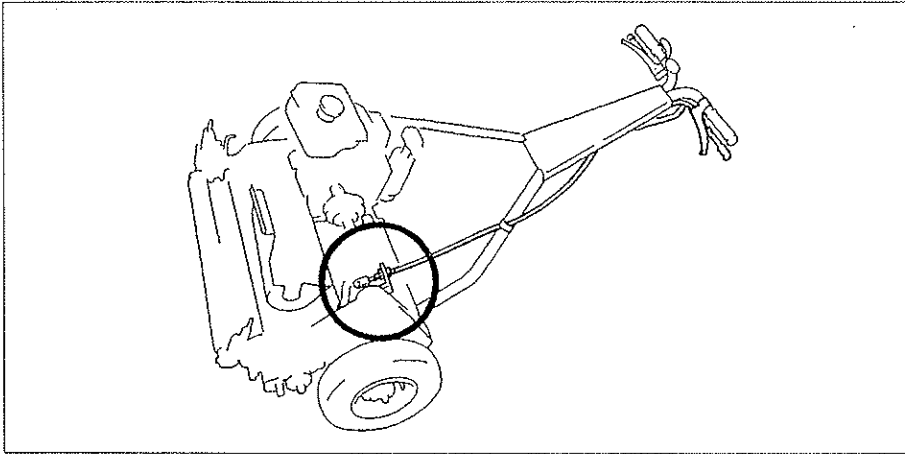
The clutch cover is on the left side of the engine, covering the engine clutch. It is secured by turning the wing bolt clockwise (by 4-5 turns).



8-9. Travelling wheel

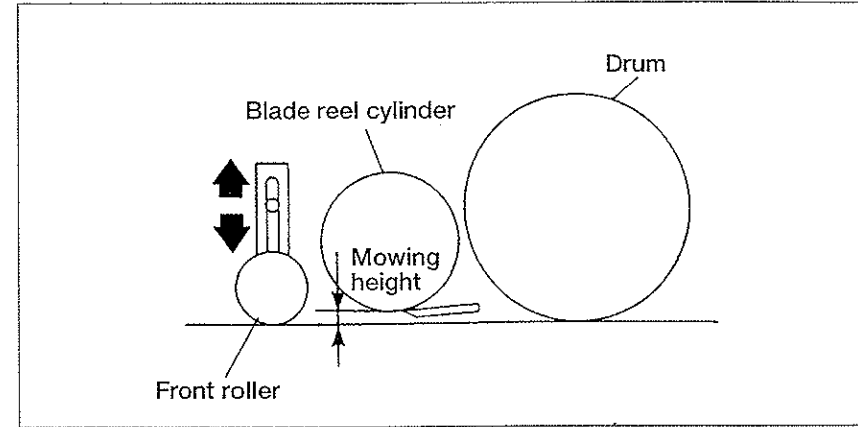
The travelling wheel is used to move the machine from green to green. Set the stand upright, hold and pull the tire and lever, and the wheel will come off.

8-10. [IMPORTANT] Adjustment place of clutch wire



8-11. [IMPORTANT] Adjustment of mowing height

Move the front roller up or down, and the mowing height can be adjusted within the range of 4-19 mm. Use an optional bottom blade when 3 mm mowing height is desired.

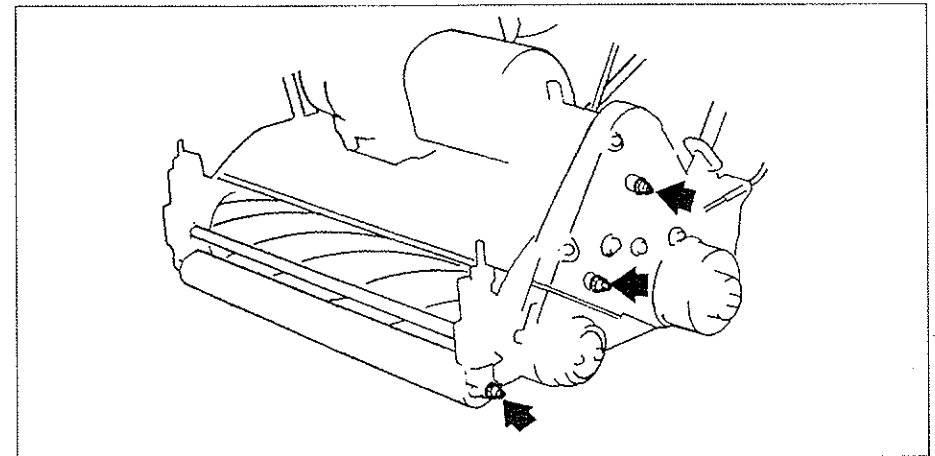


8-12. [IMPORTANT] Greasing

Fill up grease nipples with approx. 1g of grease (EXCELITE EP NO.2) every 10 hours—one or two times injection with a small manual grease pump. Needle bearings are used, so exercise care when greasing them.

Every 10 hours →

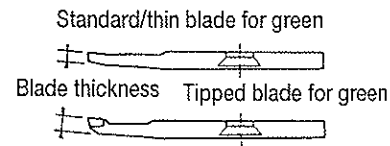
- 2 shafts on left frame
- Intermediate shaft on left frame
- Differential gear section
- Engine clutch and clutch mover



8-13. Setting the mowing height gauge and blade thickness

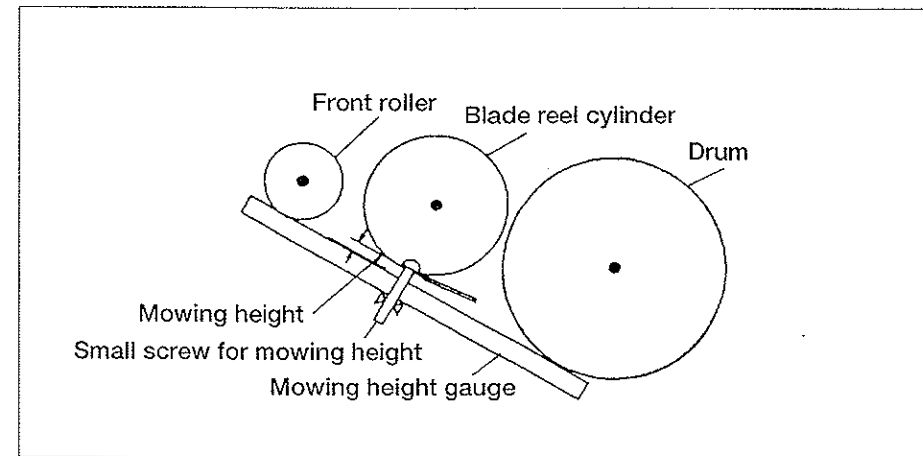
(1) Set the mowing height gauge at the desired height. The minimum mowing height with respect to each bottom blade thickness is shown below. (The maximum height is 19 mm.)

	Blade thickness (mm)	Min. mowing height (mm)
Green	Standard blade: 2.5	3.5
	Special No.2 for tournament: 1.8	3.0
	High-speed-steel-tipped blade: 3.0	4.0
Teeing ground	Standard tipped blade: 5.0	7.0



※ The minimum mowing height is the average height on the green. Lawn may be shaved when the undulation of the green is substantial. Set the mowing height slightly higher in that case.

(2) When the mowing height of 7 mm or less is desired for the teeing ground, use the green mower bottom blade.



[IMPORTANT] Adjustment of front roller height

Bring the mowing height gauge into contact with the front roller and drum (as shown above), and adjust the height of the bottom blade.

- (1) Loosen the tall nut of the roller bracket, and move the front roller up or down with the mowing height adjusting screw.
- (2) Position the front roller with the mowing height gauge.
- (3) Make adjustment at both edges.
- (4) Tighten the tall nut, and secure the roller bracket.

9. Blade engagement

Grind and adjust the blade reel cylinder and bottom blade entirely so that a newspaper will be cut sharply.

9-1. [IMPORTANT] Lapping

Conduct lapping after mowing operation (before adjusting the engagement).

- (1) Check the entire portion of the blade reel cylinder to check which portion is dull. (If a newspaper cannot be cut in any portion, put in two sheets of paper to carefully check which portion is dull.)
- (2) Connect the lapping machine (RM20) or lapping handle (option) to 10 special bolt 35 (Parts Catalogue No.4-72) of the machine.

(3) Rotate the blade reel cylinder in the direction opposite to the mowing direction, and apply abrasive with a brush only to the portion where a newspaper was sharply cut. The portion where a newspaper was not cut is worn away. Do not apply abrasive to such portions.

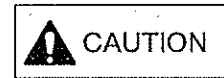
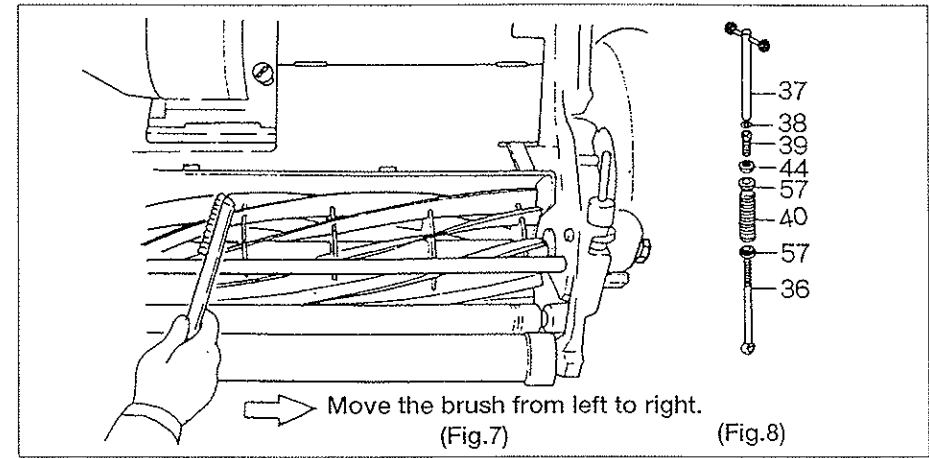
※ The right side (when viewed from the front of the blade reel cylinder) of the blade reel cylinder will be worn away 3-4 times earlier than the left side. When applying abrasive to the blade reel cylinder, be sure to move the brush from left to right. (Fig.7)

Blend powder (#200-#400) and oil at the ratio of 1:3 or 1:4 to make an abrasive.

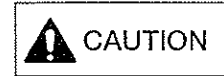
(4) Keep rotating the blade reel cylinder, and stop rotation when the contact sound disappears. Put in a newspaper again to check the blade reel cylinder entirely for the sharpness of each portion.

(5) Repeat operations (3) and (4). When the blade reel cylinder and bottom blade are in contact with each other uniformly, apply abrasive to the blade reel cylinder entirely for final lapping.

(6) After lapping, remove the abrasive with steam, etc.



Both blade reel cylinder and bottom blade are edged. Handle them carefully.



Be careful of the fingers, which turn the blade reel cylinder, when cutting a newspaper to check sharpness. Uniformly lap the right and left sides of the bottom blade in contact with the blade reel cylinder, and the life of the blade will be maximized.

9-2. [IMPORTANT] Engagement

(1) Lightly engage the blade reel cylinder and bottom blade uniformly on both sides.

(a) Uniformly adjust the bottom blade on the right and left sides. Turn the cutter adjuster (3-37) clockwise for slight engagement, and turn it counterclockwise for firm engagement. (Fig.8)

(b) Lightly engage both sides to the extent that a newspaper will be cut sharply.

When the blade reel cylinder is worn away and the spring pressure decreases, loosen the lock nut (3-44) and turn the threaded pipe (3-39) clockwise, and the spring pressure will increase. (Fig.8)

After the green mower is used for one season, the diameter of the blade reel cylinder and the thickness of the bottom blade will decrease by approx. 1 mm on average, respectively.

The thread pitch of the threaded pipe is 1 mm. Turn the threaded pipe clockwise by two turns, and appropriate spring pressure will be maintained. Use the above as guidelines.

9-3. [IMPORTANT] Cam adjustment

Turn the cam bush on both sides of the bottom blade, and the blade will be raised and lowered within a maximum range of 0.3 mm. (Fig.9)

The above method is used when the edges of the blade reel cylinder and bottom blade are not in parallel.

(1) When there is a gap between the blade reel cylinder and the left frame side of the bottom blade

(a) Loosen the lock nut, and turn the left cam bush clockwise as much as the gap. Turn it clockwise by 30° to raise the bottom blade by 0.1 mm.

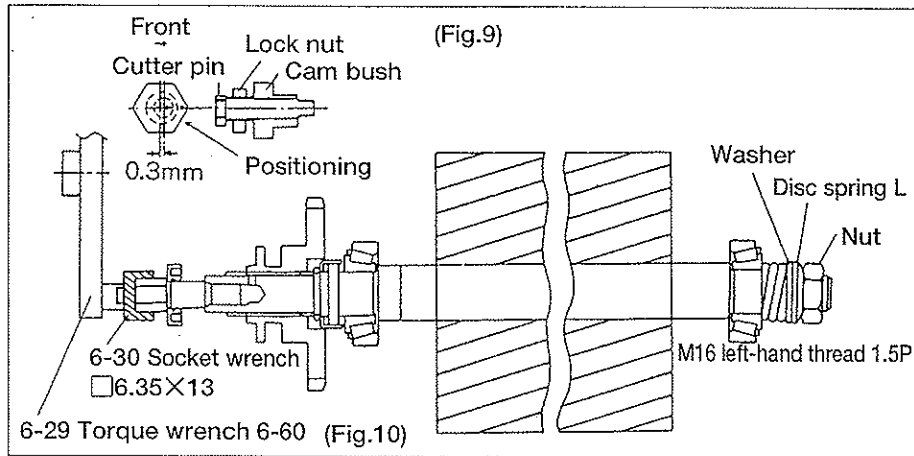
(b) After adjustment, firmly fasten the lock nut.

(2) When there is a gap on the right frame side, loosen the lock nut, and turn the right cam bush counterclockwise as much as the gap.

9-4. Cylindrical grinding and installation of blade reel cylinder

Cylindrically grind the blade reel cylinder when it is worn away and has become conical. (Ask the dealer you purchased the machine from for cylindrical grinding.)

9-5. [IMPORTANT] Installation of blade reel cylinder



- (a) Replace the bearing and reel shaft seal on both sides of the blade reel cylinder. Use 30204JRP6 that has the smallest error.
- (b) Sufficiently apply grease (EXCELITE EPNO2) to the bearing and seal. (Apply grease while turning the roller. The grease will be sufficient for one season.)
- (c) Method to fasten nut after installing the blade reel cylinder

[IMPORTANT] Completely fasten the nut on the inside to firmly secure the bearing. The fastening torque is 360 kgf-cm. A certain preload will be applied by the spring pressure. The rotational torque of the blade reel cylinder should be 8-10 kgf-cm. If it is not, check the bearing and seal.

10. Long-term storage

- a. For the engine, refer to the engine operation manual.
- b. Cylindrically grind the blade reel cylinder every six months.
- c. Replace the bearing (30204JRP6) and seal on both sides of the blade reel cylinder every season. (Replace them even if they have not been used for many hours.)
- d. Clean the machine, and apply grease or oil to respective sliding sections.

11. CAUTION Precautions for engine operation



For the engine, refer to the engine operation manual.

- (1) Use gasoline for automobiles as the fuel of the engine.
- (2) Completely change engine oil when the machine has been used for five hours after the initial operation, because the machine is used under tough conditions with vibration and dust. Check the element in 15 hours, and change oil every 50 hours. The quantity of engine oil is 0.6 liter. Use SAE30.
- (3) Always cover the suction port of the air cleaner with a cleaner cover bag during operation. Be sure to clean the air cleaner element before using the machine, and replace the element with a new one every 200 hours.



(4) Fire is strictly prohibited during fuel supply. Be careful of a lit cigarette. Supply fuel outdoors after the engine is stopped and cooled.

(5) Do not start the engine in a building without a proper ventilator.



(6) The muffler and the area around the exhaust port of the muffler will become hot. Do not bring gasoline, matches, dry grass, or other inflammables near hot portions.



(7) Inspection before operation
Check the joint of fuel pipe, etc. for looseness or damage. Check bolts and nuts in



respective sections for looseness.

- (8) Wear appropriate clothes. An apron, towel on the belt, long string, etc. will cause you to be caught in rotating parts.
- (9) When the machine is to be stored for a long time exceeding 5 months, remove gasoline from the engine.
- (10) Engine maintenance schedule

To keep the engine in satisfactory status at all times, be sure to conduct maintenance and inspection according to the following table:

Operation hours	Every 5 hr	Every 8 hr	Every 50 hr
Inspection/supply of engine oil		○	
Engine oil change	First time		Second time forward
Cleaning of air cleaner	○		

For details, see the engine operation manual.

12. Special optional parts (For blade reel cylinder change)

Special type

Lawn mowing impossible

12-1. Vertical dethatching reel

Instead of a blade reel cylinder, a spiral dethatching reel can be installed for dethatching.

The working depth is 2 mm underground.

※ In the case of a green mower, use wheel gears (4-48/4-49/4-50) for teeing ground mower to lower the operation speed. (Reference: Parts Catalog, pp.23 and 24.)

Thickness of vertical blade: 0.8 mm Diameter of vertical blade: ϕ 128 mm

12-2. Rotary brush for sweeper

Instead of a blade reel cylinder, a spiral rotary brush can be installed for dethatching, and collection of fallen leaves.

	Vertical dethatching reel		Rotary brush	
	Working width (cm)	Number of dethatching blades	Working width (cm)	Dia. of brush (cm)
LM22 Series	484	36	493	ϕ 135
LM26 Series	574	42	583	ϕ 135

12-3. Special optional tools and reel rotational torque measuring instrument

Use of ⑨ and ⑩ in the blade reel cylinder installation diagram in Fig.10 permits measurement of the rotational torque (8-10 kgf-cm) of the blade reel cylinder.

Optional tools

① Spanner: 8 × 10	K4810080102	
② Spanner: 13 × 17	K4810130172	
③ Spanner: 19 × 22	K4810190222	
④ Spanner: 24 × 27	K4810240272	
⑤ Pliers	K4830000012	
⑥ +/− screwdrivers	K4820000010	
⑦ Reel lapping handle	K6125000052	
⑧ − screwdriver N-through	K4820000020	
⑨ Torque wrench: 6-60	K4802000370	For measurement of reel rotational torque
⑩ Socket: 6.35 × 13 socket wrench	K4802000352	
⑪ Socket: 6.35 × 27 socket wrench	K4802000362	

12-4. Common Parts in Parts List

○ : Common to LM22GE

△ : Common to LM55GD

※ : Parts of 26 only

BARONNESS

LAWN MOWER

GREEN MOWER

LM22GF

LM26GF

TEEING GROUND MOWER

LM26TF

PARTS CATALOG

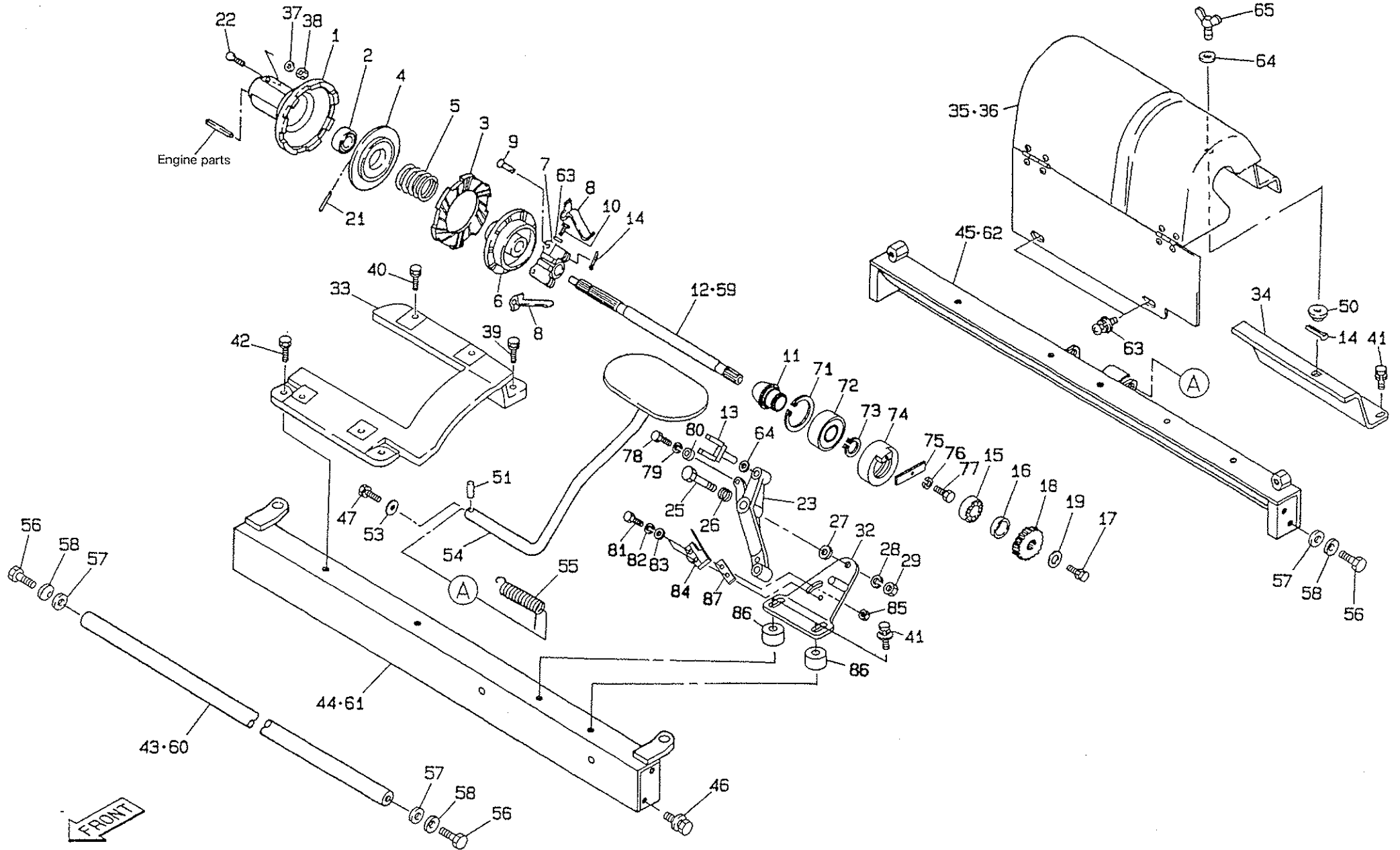
☆ Ordering parts

All parts in this parts catalog are controlled by computer. However for prevention of delivery of wrong parts, advise us of the catalog No., code No., and part name.

(Example)	Catalog No.	Code No.	Part Name	Qty
	1-1	K6911000050	Engine clutch	1

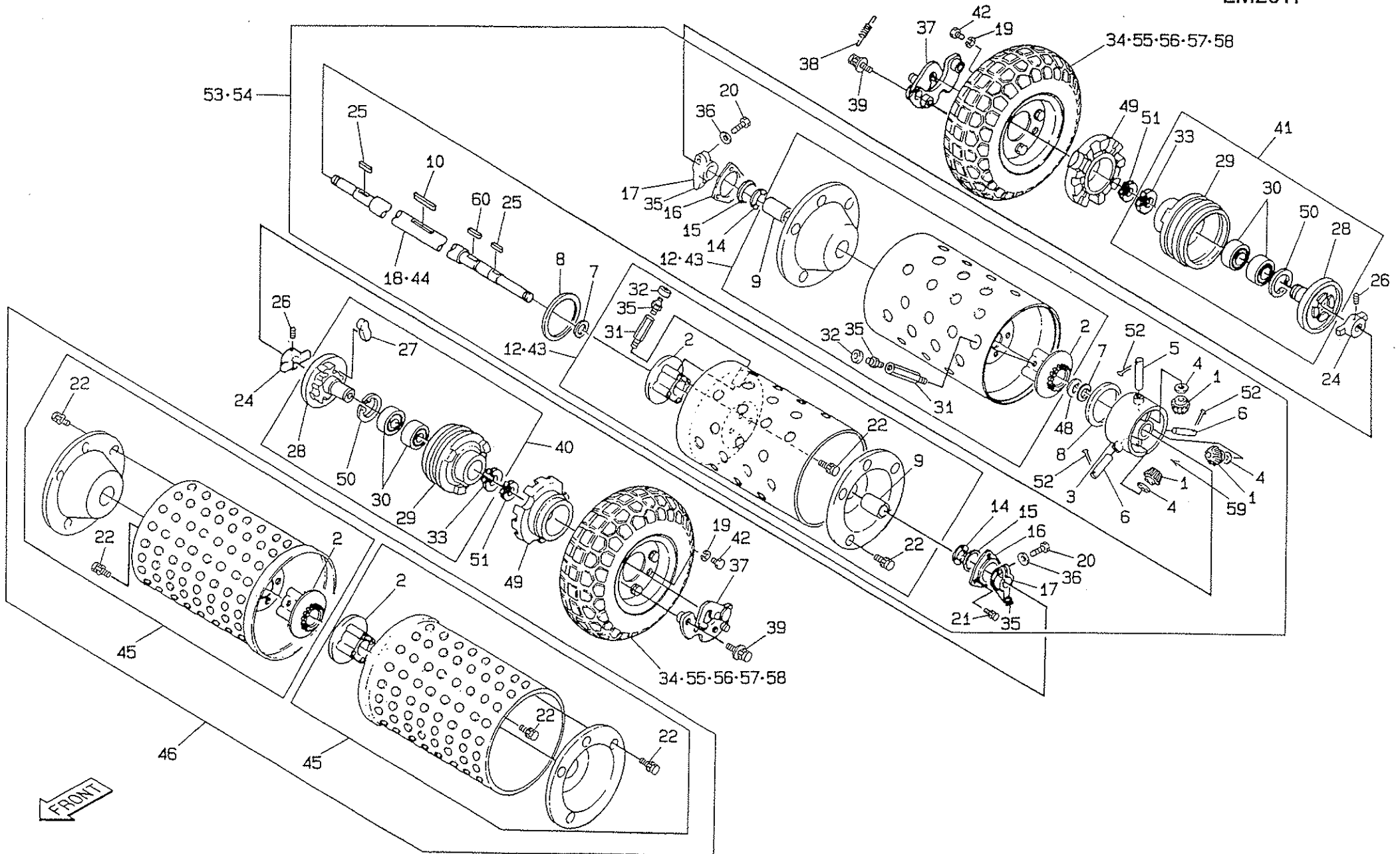
1. Engine clutch / stand

LM22GF、26GF
LM26TF



2. Drum wheel

LM22GF、26GF
LM26TF



Catalog No.	Code No.	Part Name	Qty /Unit	Common Part	Retail Price
2-1	K 6 1 9 1 0 0 0 0 2 0	Differential pinion	3	○	
2-2	K 6 1 9 1 0 0 0 0 5 2	21-tooth differential gear	2	○	
2-3	K 6 8 1 0 0 0 0 0 2 0	Differential housing	1	○	
2-4	K 5 0 5 1 0 1 0 2 2 0	1C5191P washer 1022	3	○	
2-5	K 6 1 5 6 0 0 0 0 2 0	Differential pinion shaft 1	1	○	
2-6	K 6 1 4 2 0 0 0 0 1 0	Differential pinion shaft 2	2	○	
2-7	K 5 0 5 1 0 2 5 3 7 0	1C5191P washer 25.437	2	○	
2-8	K 0 8 3 0 0 0 0 0 3 0	Differential dust seal	2	○	
2-9	K 6 0 0 0 0 0 0 0 3 0	25.4 bush 30.142	4	○	
2-10	K 0 5 0 0 4 0 4 3 5 0	4 both-end round key 435.5	1	○	
2-11					
2-12	L M 2 2 G E - 0 2 1 0 A R	LM22G drum	2		
2-13					
2-14	K 5 0 9 0 0 0 0 1 9 0	Drum washer	2	○	
2-15	K 4 0 0 7 4 1 0 5 0 0	6.3 felt 41.550	2	○	
2-16	K 5 3 7 0 0 0 0 0 7 2	Drum bearing cover	2	○	
2-17	K 6 5 1 1 0 0 0 0 1 2	Drum bracing	2	○	
2-18	L M 2 2 G E - 0 2 3 3 A 2	Axle	1	○	
2-19	K 0 2 0 0 0 8 0 0 0 2	8S washer	6	○	
2-20	K 0 0 1 0 0 8 0 2 5 2	8 heat treated bolt 25	2	○	
2-21	K 0 0 0 7 0 6 0 1 2 2	6 bolt 12SW	6	○	
2-22	K 0 0 0 7 0 8 0 2 0 2	8 bolt 20SW	18	○	
2-23					
2-24	K 6 5 1 0 0 0 0 0 1 2	Clutch for axle	2	○	
2-25	K 0 5 0 0 5 0 5 2 0 0	5 both-end round key 520	2	○	
2-26	K 0 0 2 3 0 8 0 0 6 1	8 hollow set 6	2	○	
2-27	K 6 9 0 9 0 0 0 0 5 6	Clutch finger	6	○	
2-28	K 6 8 1 0 0 0 0 0 4 0	Ratchet gauge	2	○	
2-29	K 6 9 1 6 0 0 0 0 1 2	56 wheel hub	2	○	
2-30	K 0 6 1 3 0 6 0 0 5 0	Bearing 60052RDC3	4	○	
2-31	K 6 0 8 1 0 0 0 0 1 2	Oiling pipe	2	○	
2-32	K 4 0 3 1 0 0 0 1 2 0	Nipple cock	2	○	
2-33	K 0 4 0 1 0 2 5 0 0 1	Stop ring S25	2	○	
2-34	K 2 0 2 0 0 0 0 0 5 0	Tire 4.10/3.50 - 6 Ass'y	2	○	
2-35	K 1 4 4 0 0 0 0 0 1 2	Grease nipple	4	○	

○: Parts common to LM22GE △: Parts common to LM55GD ※: Parts of LM26GF ☆: Parts of LM26TF

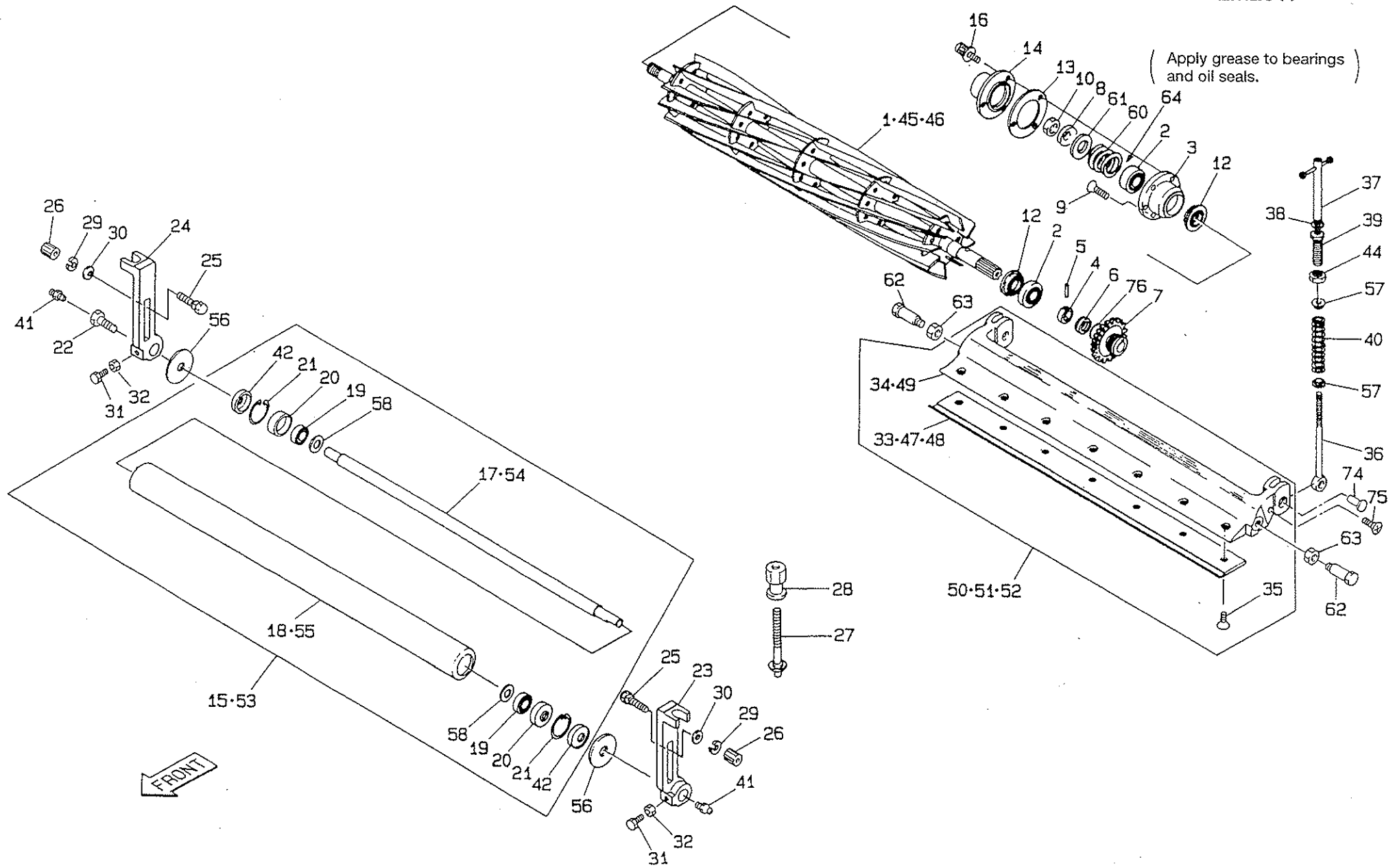
Catalog No.	Code No.	Part Name	Qty /Unit	Common Part	Retail Price
2-36	K 0 2 1 5 0 8 0 0 0 1	8 disc spring washer 2H	2	○	
2-37	K 7 1 4 8 0 0 0 0 6 2	Axle stopping bracket	2	○△	
2-38	K 1 0 3 0 0 0 0 0 6 8	1.5U hook spring 8.535.5	2	○	
2-39	K 0 0 0 6 0 8 0 3 0 2	8 bolt 30S	4	○	
2-40	K 8 0 0 5 0 0 0 0 1 0	Left axle clutch	1	○	
2-41	K 8 0 0 5 0 0 0 0 2 0	Right axle clutch	1	○	
2-42	K 0 0 0 0 0 8 0 1 2 2	8 bolt 12	6	○	
※2-43	K 8 0 2 0 0 0 0 0 1 R	Drum wheel Ass'y	2	○	
※2-44	L M 2 6 G E - 0 2 3 3 A 2	Axle	1		
☆2-45	L M 2 6 T B - 0 2 1 0 A 0	LM26T drum	2		
☆2-46	L M 2 6 T B - 0 2 0 1 A 0	Drum Ass'y	1		
2-47					
2-48	K 5 0 1 0 6 2 5 3 7 2	0.6SPCC washer 25.437	1	○	
2-49	K 2 1 6 0 0 0 0 0 1 2	Wheel mounting seat	2	○	
2-50	K 0 4 0 2 0 4 7 0 0 1	Stop ring R47	2	○	
2-51	K 0 4 0 1 0 1 7 0 0 1	Stop ring S17	2	○	
2-52	K 0 3 0 2 0 2 5 2 5 0	2.5 stainless steel cotter pin 25	3	○	
2-53	L M 2 2 G E - 0 2 0 1 A 0	Drum Ass'y	1	○	
※2-54	L M 2 6 G E - 0 2 0 1 A 0	Drum Ass'y	1		
2-55	K 2 0 2 1 0 0 0 0 3 0	Tire 4.10/3.50-6	2	○	
2-56	K 2 0 9 0 0 0 0 5 0 L	Wheel 3SP-6	2	○	
2-57	K 2 0 9 0 0 0 0 5 1 L	Wheel 3SP-6 with valve hole	2	○	
2-58	K 2 0 9 1 0 0 0 2 2 0	Tube 4.10/3.50-6	2	○	
2-59	K 2 9 3 1 0 0 0 0 0 0	EXCELITE EP No.2	150g		
2-60	K 0 5 5 0 0 0 0 1 8 0	5X4.5X20 both-end round key	1	○	

2. Drum wheel

LM22GF、26GF
LM26TF

3. Blade reel cylinder/front roller/bottom blade

LM22GF、26GF
LM26TF



○: Parts common to LM22GE △: Parts common to LM55GD ※: Parts of LM26GF ☆: Parts of LM26TF

Catalog No.	Code No.	Part Name	Qty /Unit	Common Part	Retail Price
3-1	K 2 8 0 2 2 0 0 9 F R	Blade reel cylinder 557-9	1		
3-2	K 0 6 3 1 3 0 2 0 4 0	Tapered roller 30204JRP6	2	○△	
3-3	K 6 9 0 3 0 0 0 0 6 2	Reel housing	1	○	
3-4	K 6 2 1 3 0 0 0 0 4 0	Left bearing collar	1	○△	
3-5	K 0 3 1 1 0 4 5 2 5 0	4.5 needle roller 25.8	1	△	
3-6	K 5 3 0 0 0 0 0 2 8 2	Pinning cover	1	○△	
3-7	L M 2 2 G F - 0 1 0 7 Z 0	44-tooth gear	1		
3-8	K 0 2 1 0 1 6 0 0 0 1	16 disc spring L		△	
3-9	K 0 0 4 1 0 8 0 2 5 2	8 + countersunk head screw 25	3	○	
3-10	K 0 1 8 5 1 6 0 0 0 2	16 left-hand threaded nut 3P1.5	1	△	
3-11					
3-12	K 0 8 3 0 0 0 0 0 2 0	Oil seal 254210	2	○△	
3-13	K 4 0 1 1 0 0 0 0 7 0	Reel packing	1	○	
3-14	K 6 9 0 2 0 0 0 0 1 2	Reel shaft cover	1	○	
3-15	K 8 0 2 1 0 0 0 0 1 0	Front roller Ass'y 577	1	○	
3-16	K 0 0 0 6 0 8 0 2 0 2	8 bolt 20S	3	○△	
3-17	K 6 1 3 1 0 0 0 1 2 2	Front roller shaft 596	1	○△	
3-18	K 7 4 0 0 0 0 0 1 2 D	60 roller 577	1	○	
3-19	K 0 6 1 3 0 6 2 0 2 0	Bearing 62022NSEC3	2	○△	
3-20	K 0 8 6 1 0 0 0 0 3 0	Oil seal 6202	2	○△	
3-21	K 0 4 0 2 0 4 2 0 0 1	Stop ring R42	2	○△	
3-22	K 6 0 8 3 0 0 0 0 4 2	15 extension pin 19	1	○△	
3-23	K 6 8 0 4 0 0 0 0 2 0	Left roller bracket	1	○	
3-24	K 6 8 0 4 0 0 0 0 1 0	Right roller bracket	1	○	
3-25	K 0 0 2 5 0 8 0 3 5 2	8 square-base round-head bolt 35	2	○△	
3-26	K 1 3 3 0 0 0 0 0 5 0	Screw with handle Pi.25	2	○△	
3-27	K 7 9 0 0 0 0 0 0 5 0	Roller adjusting screw	2	○△	
3-28	K 6 0 8 4 0 0 0 0 6 3	Roller adjuster	2	○△	
3-29	K 0 2 1 3 0 8 0 0 0 1	8 disc spring washer 1H	2	○△	
3-30	K 5 0 1 2 0 0 8 1 8 2	2SPCC washer 818	2	○△	
3-31	K 0 0 0 0 0 6 0 2 0 2	6 bolt 20	2	○△	
3-32	K 0 1 0 0 0 6 0 0 0 2	6 nut	2	○△	
3-33	K 2 5 1 1 0 0 0 1 5 0	3 bottom blade 62.5-559	1	△	
3-34	L M 2 2 G F - 0 5 0 8 Z R	Bottom blade base	1		
3-35	K 0 0 7 1 0 0 0 2 2 2	6 heat treated countersunk head screw 12	7	○△	

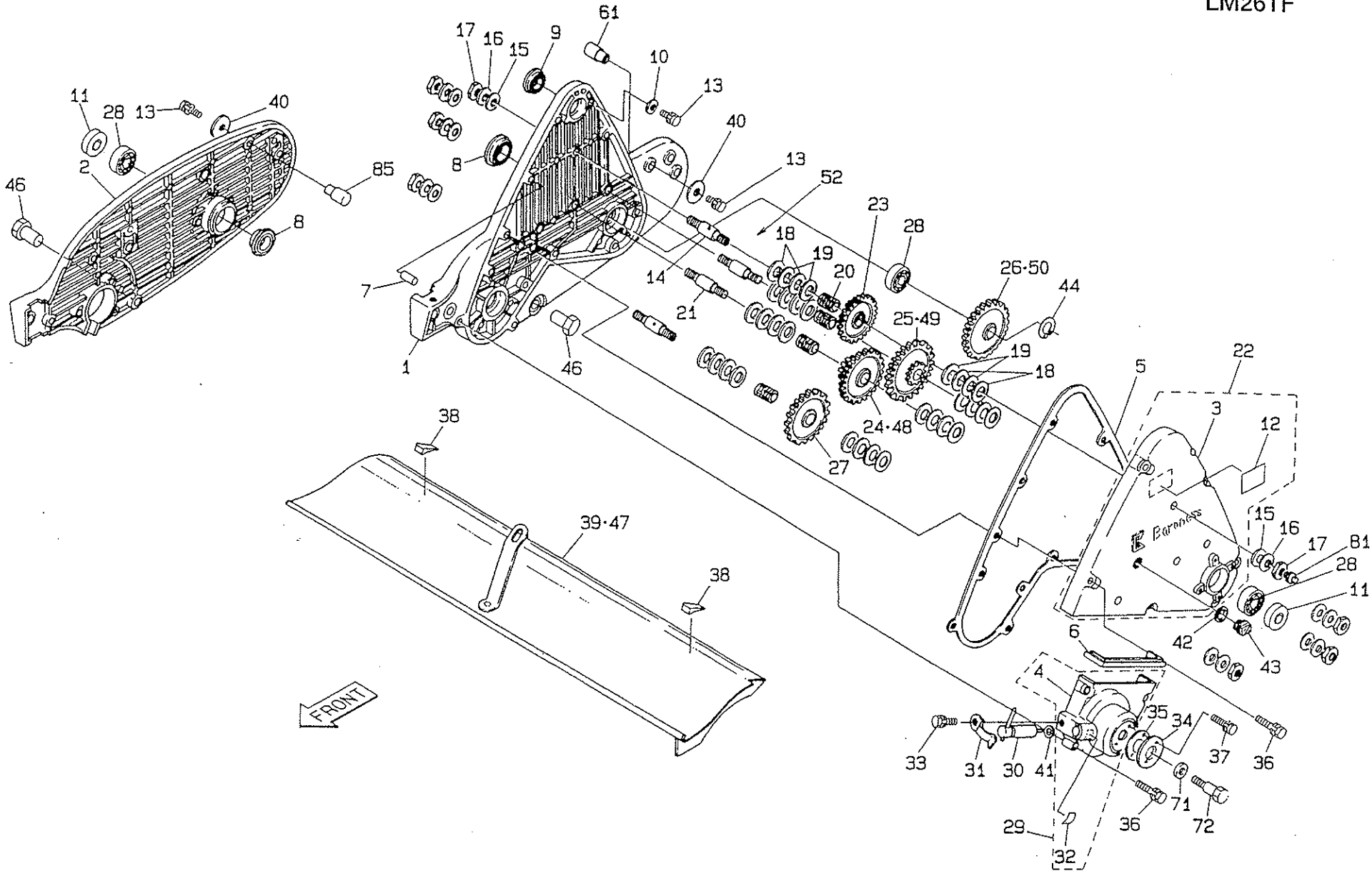
Catalog No.	Code No.	Part Name	Qty /Unit	Common Part	Retail Price
3-36	K 6 5 1 1 0 0 0 0 6 2	Cutter adjusting bolt 205	2	△	
3-37	K 1 3 3 0 0 0 0 0 4 0	Cutter adjuster Ass'y	2	○△	
3-38	K 5 0 1 1 0 1 0 1 6 2	1SPCC washer 1016	2	○△	
3-39	K 6 0 8 1 0 0 0 0 3 2	Threaded pipe	2	○△	
3-40	K 1 0 0 0 0 0 0 2 8 8	5 compression spring 25116	2	○△	
3-41	K 1 4 4 0 0 0 0 0 1 2	Grease nipple	2	○△	
3-42	K 0 8 6 1 0 0 0 0 2 0	Oil seal TA1542.38	2	○△	
3-43					
3-44	K 0 1 6 0 0 0 0 1 2 2	Cutter adjusting lock nut	2	○△	
※3-45	K 2 8 0 2 6 0 0 9 F R	Blade reel cylinder 646-9	1		
☆3-46	K 2 8 0 2 6 0 0 7 F R	Blade reel cylinder 646-7	1		
※3-47	K 2 5 1 0 0 0 0 1 2 0	3 bottom blade 62.5-648.4	1		
☆3-48	K 2 5 1 0 0 0 0 1 4 0	5 bottom blade 62.5-648.4	1		
※3-49	L M 2 6 G F - 0 5 0 8 Z R	Bottom blade base	1		
3-50	L M 2 2 G F - 0 5 0 2 Z 0	Bottom blade COMP 22	1		
※3-51	L M 2 6 G F - 0 5 0 2 Z 0	Bottom blade COMP 26	1		
☆3-52	L M 2 6 T F - 0 5 0 2 Z 0	Bottom blade COMP	1		
※3-53	K 8 0 2 1 0 0 0 0 2 0	Front roller Ass'y 666	1		
※3-54	K 6 1 3 1 0 0 0 1 3 2	Front roller shaft 685	1		
※3-55	K 7 4 0 0 0 0 0 0 6 D	60 roller 666	1		
3-56	K 5 0 5 1 0 1 5 4 7 0	1C5191P washer 1547	2	○△	
3-57	K 6 2 0 6 0 0 0 0 5 2	Spring receiver	4	○△	
3-58	K 5 0 5 1 0 1 5 2 8 0	1C5191P washer 1528	2	○△	
3-59					
3-60	K 1 0 0 0 0 0 0 7 4 0	3.2 compression spring 26.922	1	△	
3-61	K 5 0 1 2 0 1 6 2 8 2	2SPCC washer 1628	1	△	
3-62	K 6 0 8 2 0 0 0 0 1 0	Cutter pin R	2	○△	
3-63	K 0 1 6 0 0 0 0 1 1 3	Lock nut	2	○△	
3-64	K 2 9 3 1 0 0 0 0 0 0	EXCELITE EP No.2	40g		
3-74	K 6 0 3 0 1 0 0 2 3 2	10 flat head pin 23	2	△	
3-75	K 0 0 4 1 0 6 0 1 2 2	6 + countersunk head screw 12	2		
3-76	K 0 8 8 0 0 1 8 0 0 0	O-ring P18	1		

3. Blade reel cylinder/front roller/bed knife

LM22GF、26GF
LM26TF

4. Frame/transmission

LM22GF、26GF
LM26TF



○: Parts common to LM22GE △: Parts common to LM55GD ※: Parts of LM26GF ☆: Parts of LM26TF

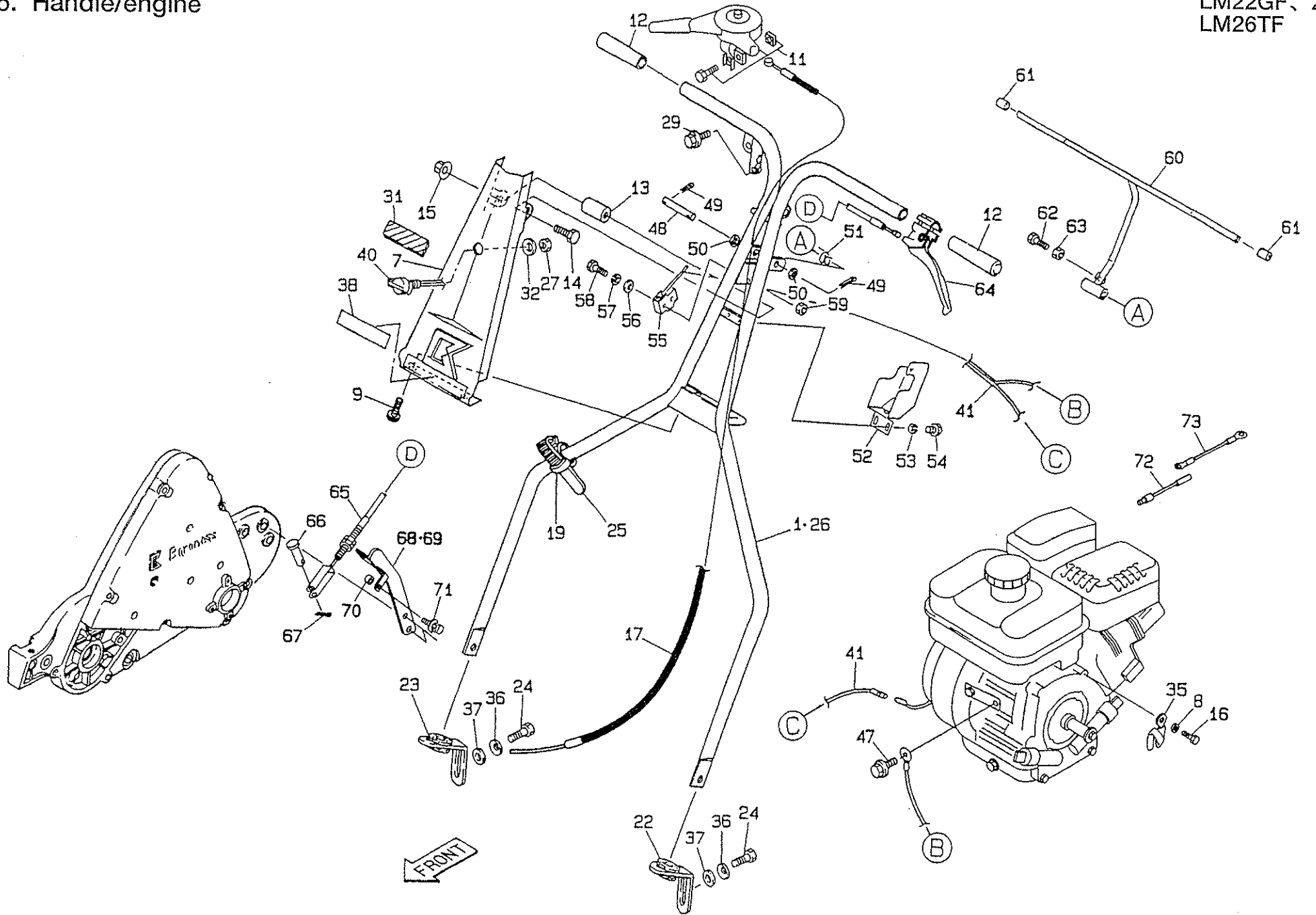
Catalog No.	Code No.	Part Name	Qty /Unit	Common Part	Retail Price
4-1	LM 2 2 G E — 0 6 0 1 C R	Left frame	1	○	
4-2	LM 2 2 G E — 0 6 0 2 B R	Right frame	1	○	
4-3	LM 2 2 G E — 0 6 0 3 Z R	Frame cover	1	○	
4-4	LM 2 2 G E — 0 6 1 7 Z R	Small frame cover	1	○	
4-5	LM 2 2 G E — 0 6 0 4 Z 0	Frame packing	1	○	
4-6	K 4 0 3 9 0 0 0 0 4 0	Joint packing	1	○	
4-7	K 6 0 5 1 0 5 1 2 0 0	5.1 heat treated pin 20	1	○	
4-8	K 0 8 3 0 0 0 0 0 2 0	Oil seal 254210	2	○△	
4-9	K 0 8 1 1 9 3 0 0 7 0	Oil seal MHS19307	1	○△	
4-10	K 5 0 1 1 6 0 6 1 6 3	1.6SPCC washer 616	1	○	
4-11	K 0 8 5 2 0 4 2 0 8 0	Oil seal PJN20428	2	○△	
4-12	K 4 2 0 9 0 0 0 3 7 0	10 hr greasing mark	1		
4-13	K 0 0 0 6 0 6 0 1 2 2	6 bolt 12S	3		
4-14	K 6 1 2 2 0 0 0 0 2 0	Intermediate shaft with tap	2	○	
4-15	K 4 0 1 5 1 1 0 2 0 0	1 fiber 10.220	8	○	
4-16	K 5 0 1 1 0 1 0 2 0 2	1SPCC washer 1020	8	○	
4-17	K 0 1 6 0 0 0 0 2 8 2	10 nut 3P10H1	8	○△	
4-18	K 5 0 5 1 0 1 3 2 8 0	1C5191P washer 1328	16	○△	
4-19	K 5 0 2 0 8 1 3 2 8 0	0.8NBS55 washer 1328	16	○△	
4-20	K 0 7 1 1 3 1 7 2 0 0	Needle KTW131720	4	○△	
4-21	K 6 1 2 2 0 0 0 0 3 0	Intermediate shaft	2	○	
4-22	LM 2 2 G F — 0 6 0 4 Z 0	Frame cover with mark	1		
4-23	K 6 1 8 3 0 0 0 0 1 0	2-shaft 42-tooth gear	1	○	
4-24	K 6 1 8 5 0 0 0 0 2 0	3-shaft 16-tooth 42-tooth gear	1	○	
4-25	K 6 1 8 5 0 0 0 0 3 0	5-shaft 15-tooth 45-tooth gear	1	○	
4-26	K 6 1 8 1 0 0 0 0 2 0	45-tooth axle gear	1	○	
4-27	K 6 1 8 3 0 0 0 0 2 0	4-shaft 42-tooth gear	1	○	
4-28	K 0 6 0 1 0 6 2 0 4 0	Bearing 6204C3	3	○△	
4-29	LM 2 2 G F — 0 6 1 7 Z 0	Frame cover with small mark	1		
4-30	K 7 3 2 1 0 0 0 0 9 2	Clutch handle	1	○△	
4-31	K 1 0 9 0 0 0 0 0 5 8	Clutch retainer spring	1	○△	
4-32	K 4 2 0 3 0 0 0 0 8 0	ON/OFF mark	1	○△	
4-33	K 0 0 2 7 0 6 0 1 2 2	6 + Hole upset bolt 12S	1	○△	
4-34	LM 2 2 G F — 0 1 0 9 Z 2	Cutter shaft seal collar	1		
4-35	LM 2 2 G F — 0 1 1 0 Z 0	Cutter shaft grease retaining rubber	1		

Catalog No.	Code No.	Part Name	Qty /Unit	Common Part	Retail Price
4-36	K 0 0 0 7 0 6 0 4 5 2	6 bolt 45SW	10		
4-37	K 0 0 0 6 0 6 0 2 0 2	6 bolt 20S	2		
4-38	K 4 0 3 9 0 0 0 0 3 0	Reel cover rubber	2	○	
4-39	LM 2 2 G E — 0 5 0 9 A R	Cutter cover	1		
4-40	K 5 0 1 2 3 0 6 2 5 2	2.3SPCC washer 625	2	○	
4-41	K 0 8 8 0 0 1 5 0 0 0	O-ring P15	1	○△	
4-42	K 4 0 1 0 2 1 7 2 5 0	2 oil seat 17.525	1	○△	
4-43	K 1 4 0 0 0 0 0 0 1 0	Oil tap 18	1	○△	
4-44	K 0 4 0 1 0 2 0 0 0 1	Stop ring S20	1	○△	
4-45			2		
4-46	K 6 0 1 0 0 0 0 0 1 0	Cam bush	2	○△	
※4-47	LM 2 6 G E — 0 5 0 9 A R	Cutter cover	1		
☆4-48	LM 5 T B — 0 2 2 5 Z 0	3-shaft 15-tooth 42-tooth gear	1		
☆4-49	LM 5 T B — 0 2 2 6 Z 0	5-shaft 14-tooth 46-tooth gear	1		
☆4-50	LM 5 T B — 0 2 3 7 A 0	46-tooth gear	1		
4-51					
4-52	K 2 9 2 9 0 0 0 0 0 0	DYNAMAX EP No.1	700g		
4-61	K 6 1 5 5 0 0 0 0 4 2	Handle mounting pin R	1	○	
4-71	K 0 8 2 1 2 2 8 0 7 0	Oil seal MHS12287	1	△	
4-72	K 0 0 7 1 0 0 0 8 7 8	10 special bolt 35	1	△	
4-81	K 1 4 4 0 0 0 0 0 1 2	Grease nipple	2		
4-85	LM 2 2 G E — 0 6 0 9 Z 2	Handle mounting pin	1	○	
4-86	K 2 9 4 1 0 0 0 0 0 0	ThreeBond 1104	15g		

4. Frame/transmission

LM22GF、26GF
LM26TF

5. Handle/engine



Catalog No.	Code No.	Part Name	Qty /Unit	Common Part	Retail Price
5-1	K 7 1 0 0 0 0 0 2 0 L	Handle 54E	1	△	
5-2					
5-3					
5-4					
5-5					
5-6	K 5 3 7 0 0 0 0 0 4 L	Handle cover	1	△	
5-7					
5-8					
5-9					
5-10	K 0 2 0 0 0 8 0 0 0 2	8S washer	1		
5-9	K 0 0 4 8 0 4 0 0 6 2	4 + Round head screw 6S	2	○△	
5-11	K 1 2 0 3 5 2 1 0 0 0	Throttle lever E352100	1	○△	
5-12	K 1 3 0 0 0 0 0 1 4 0	Black handle grip 21	2	○△	
5-13	K 6 2 1 1 0 0 0 0 3 2	6.5SGP collar 10.516	1	○△	
5-14	K 0 0 4 2 0 5 0 2 5 2	5 + Round head screw 25	1	○△	
5-15	K 0 1 4 3 0 5 0 0 0 2	5 nut with disc spring	1	○△	
5-16	K 0 0 0 0 0 8 0 1 2 2	8 bolt 12	1		
5-17	K 1 1 1 0 1 4 0 0 0 0	Throttle wire 1400	1		
5-18	K 2 6 2 0 0 0 0 3 7 0	ROBIN EX13D	1		
5-19	K 4 2 4 1 0 0 0 0 7 0	Urethane tube 7	1	○△	
5-20					
5-21					
5-22	LM22GE-0715Z0	Left handle adjuster	1	○△	
5-23	LM22GE-0716Z0	Right handle adjuster	1	○△	
5-24	K 0 0 1 0 1 0 0 2 5 1	10 heat treated bolt 25	2	○△	
5-25	K 4 2 4 1 0 0 0 0 1 0	Nylon band 140	2	○△	
※5-26	K 7 1 0 0 0 0 0 2 6 L	Handle 64E	1	△	
5-27	K 0 1 0 2 0 8 0 0 0 2	8 nut 3	2	△	
5-28	K 0 2 1 0 0 8 0 0 0 2	8 disc spring L	1	△	
5-29	K 0 0 0 6 0 5 0 2 0 2	5 bolt 20S	1	○△	
5-30					
5-31	K 4 0 3 3 0 0 0 0 7 0	Handle cover rubber cushion	1	○△	
5-32	K 0 2 1 0 0 8 0 0 0 2	8 disc spring L	1		
5-33					
5-34					
5-35	K 4 2 8 1 0 0 0 0 2 0	8.5 harness clamp 80	1		
5-36	K 0 2 1 3 1 0 0 0 0 1	10 disc spring washer 117	2	○△	
5-37	K 5 0 1 2 3 1 0 2 5 2	2.3SPCC washer 1025	2	○△	

○: Parts common to LM22GE △: Parts common to LM55GD ※: Parts of LM26GF

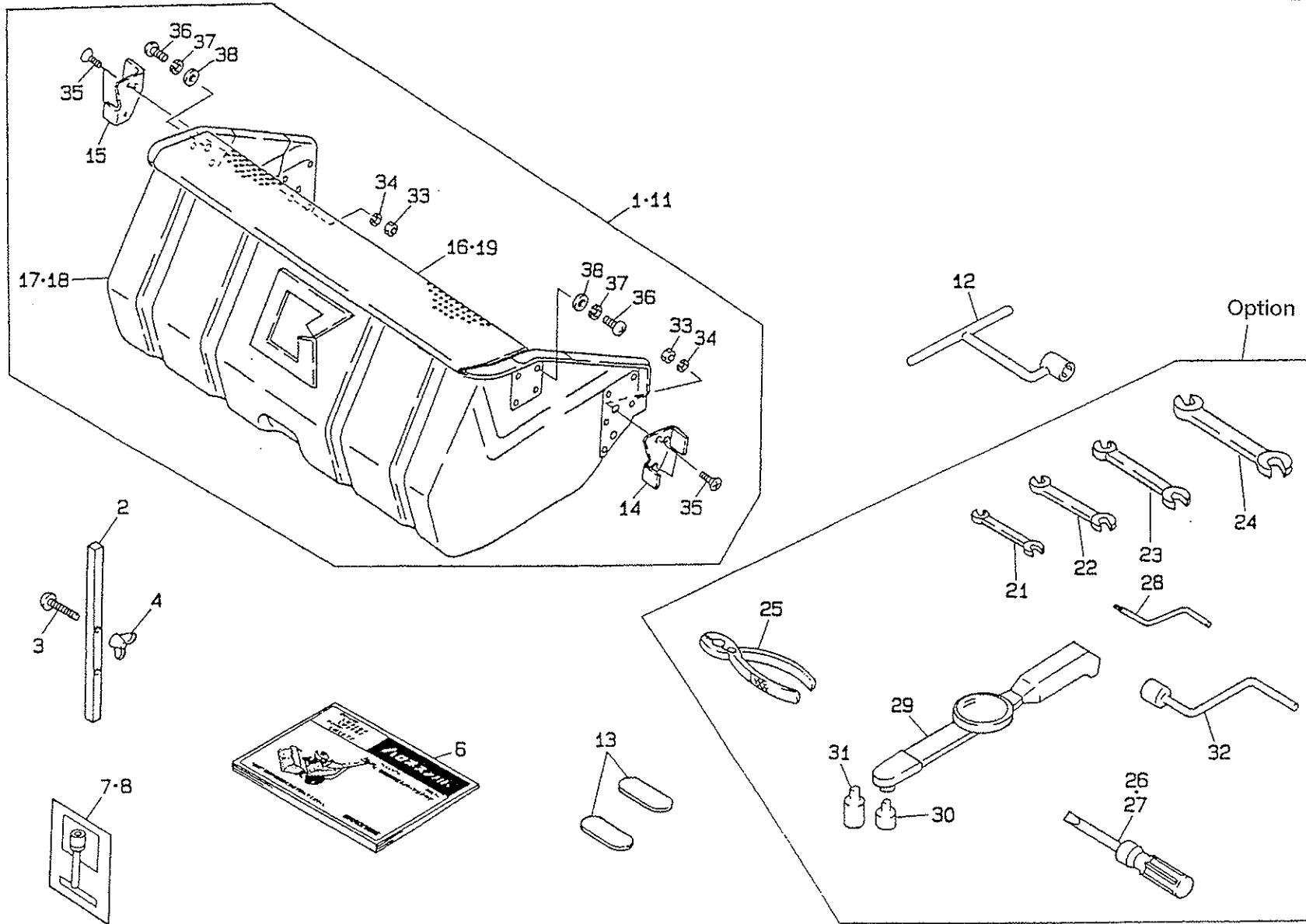
Catalog No.	Code No.	Part Name	Qty /Unit	Common Part	Retail Price
5-38	K 4 2 0 1 0 0 0 4 2 0	Saxon mark	1	△	
5-39					
5-40	K 3 6 6 2 0 0 0 0 5 0	Engine switch FR56361-A	1		
5-41	K 3 6 2 0 0 0 0 6 5 0	Engine switch cord S	1	△	
5-42					
5-43					
5-44					
5-45					
※5-46					
5-47	K 0 0 0 0 0 8 0 1 5 2	8 bolt 15S	1		
5-48	K 6 1 5 1 0 0 0 1 1 2	10 shaft 72 with two holes	1		
5-49	K 0 3 0 0 0 2 5 1 6 2	2.5 cotter pin16	2		
5-50	K 5 0 0 0 1 0 0 0 0 2	10 washer	2		
5-51	K 1 0 5 0 0 0 0 1 5 8	2.3 twisted coil spring 25.6	1		
5-52	K 7 1 6 3 0 0 0 2 8 L	Switch cover	1		
5-53	K 0 2 0 0 0 6 0 0 0 2	6S washer	2		
5-54	K 0 0 0 0 0 6 0 1 0 2	6 bolt 10	2		
5-55	K 3 6 7 0 0 0 0 0 8 0	Switch AM1711 hinge	1		
5-56	K 5 0 0 0 0 4 0 0 0 2	4 washer	2		
5-57	K 0 2 0 0 0 4 0 0 0 2	4S washer	2		
5-58	K 0 0 0 0 0 4 0 3 0 2	4 bolt 30	2		
5-59	K 0 1 0 0 0 4 0 0 0 2	4 nut	2		
5-60	K 7 4 2 2 0 0 0 1 0 L	Engine lever	1		
5-61	K 1 3 1 0 0 0 0 1 0 0	10.5 black cap	2		
5-62	K 0 0 0 0 0 6 0 2 5 2	6 bolt 25	1		
5-63	K 0 1 0 0 0 6 0 0 0 2	6 nut	1		
5-64	K 1 2 1 1 4 6 0 0 1 0	Clutch lever E146001	1		
5-65	K 1 1 3 0 1 4 0 0 0 0	Clutch wire 1400	1		
5-66	K 6 0 3 1 0 6 0 1 7 2	6 heat treated flat head pin 17	1		
5-67	K 0 3 0 0 0 2 0 1 6 2	2 cotter pin 16	1		
5-68	LM22GF-1801ZR	Wire clamp	1		
5-69	LM26GF-1801ZR	Wire clamp	1		
5-70	LM22GF-1802ZR	Collar 8	1		
5-71	K 0 0 0 7 0 6 0 6 0 2	6 bolt 60SW	1		
5-72	K 3 6 2 0 0 0 0 6 6 0	Black cable 80	1		
5-73	K 3 6 2 0 0 0 0 6 7 0	Black cable 110	1		

5. Handle/engine

LM22GF、26GF
LM26TF

6. Accessory parts / tools

LM22GF、26GF
LM26TF



Catalog No.	Code No.	Part Name	Qty /Unit	Common Part	Retail Price
6-1	LM22GE-0800	Grass catcher	1	○	
6-2	K6090000052	Mowing height gauge	1	○	
6-3	K0046060502	6 + Tapping screw C-1 round head 50	1	○△	
6-4	K0141060002	6 butterfly nut 3	1	○△	
6-5					
6-6	LM22.26-03B-00	Handling manual & parts catalog	1		
6-7	K2620EX130010	EX13D tool	1		
6-8	K2620EX130001	EX13D operation manual	1		
6-9					
6-10					
※6-11	LM26GE-0800	Grass catcher	1	○	
6-12	K4802000092	Drum shaft adjustor	1	○	
6-13	K4802000120	0.5 thickness gauge	2	○△	
6-14	K5276000013	Left latch	1	○	
6-15	K5276000023	Right latch	1	○	
6-16	K716300010D	Grass box cover 590	1	○	
6-17	K7900000030	Grass catcher 570COMP	1	○	
※6-18	K7900000020	Grass catcher 660COMP	1	○	
6-19	K716300005D	Grass box cover 675	1	○	
	The following parts are optional tools.				
6-21	K4810080102	Spanner 8 x 10	1		
6-22	K4810130172	Spanner 13 x 17	2		
6-23	K4810190222	Spanner 19 x 22	1		
6-24	K4810240272	Spanner 24 x 27	1		
6-25	K4830000012	Pliers	1		
6-26	K4802000010	+/- screwdriver	1		
6-27	K4802000020	- screwdriver through 200	1		
6-28	K6125000052	Reel lapping handle	1		
6-29	K4802000370	Torque wrench 6-60	1		
6-30	K4802000352	□ 6.35 x 13 socket wrench	1		
6-31	K4802000362	□ 6.35 x 27 socket wrench	1		
6-32	K4802000382	Lapping handle	1		
6-33	K0100060002	6 nut	4	○△	
6-34	K0200060002	6S washer	4	○△	
6-35	K0041060202	6 + Countersunk head screw 20	4	○△	

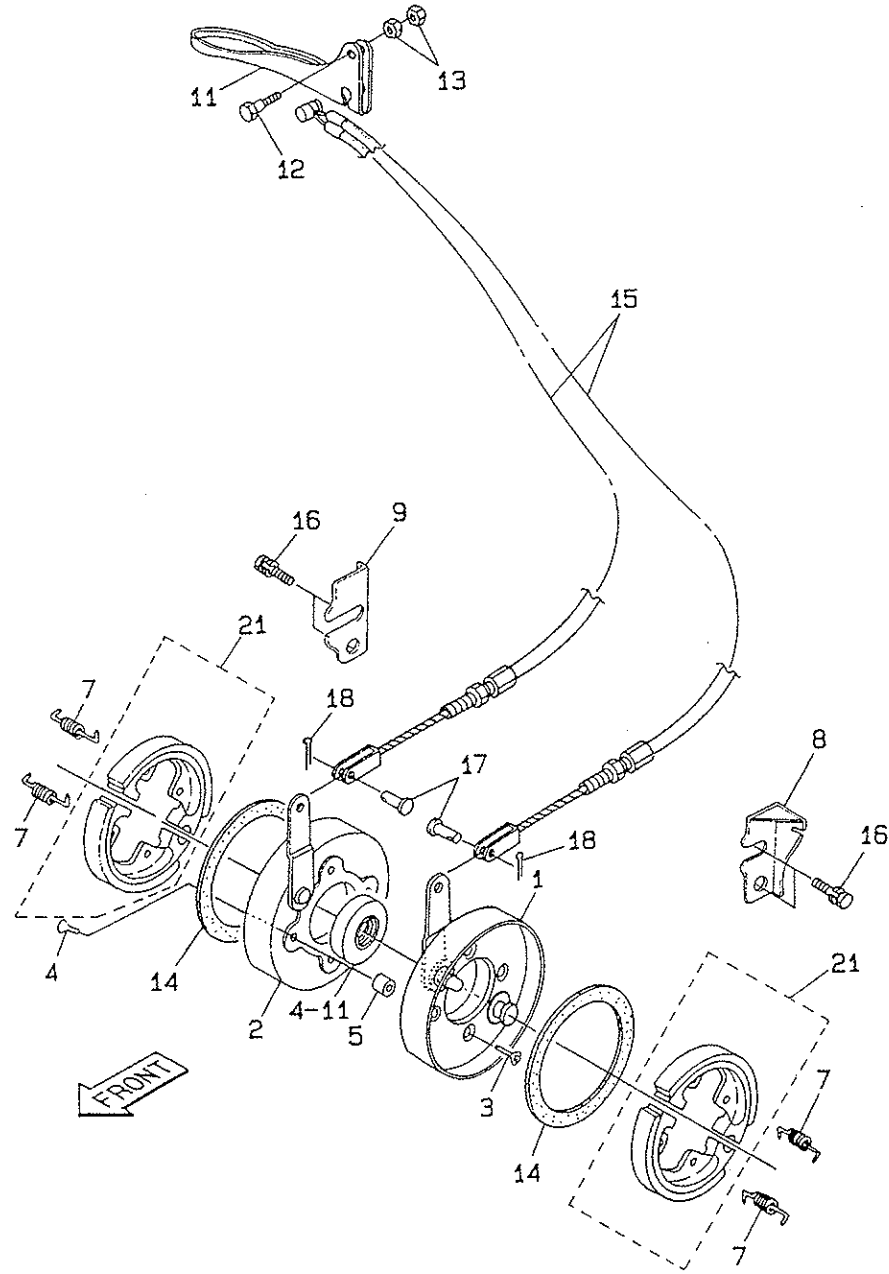
○: Parts common to LM22GE △: Parts common to LM55GD ※: Parts of LM26GF

Catalog No.	Code No.	Part Name	Qty /Unit	Common Part	Retail Price
6-36	K0042080202	8 + Round head screw 20	2	○△	
6-37	K0200080002	8S washer	2	○△	
6-38	K5000080002	8 washer	2	○△	
6-39					

6. Accessory parts	LM22GF、26GF LM26TF
---------------------------	-----------------------

7. Internal expanding brake parts

LM22GF、26GF
LM26TF



Catalog No.	Code No.	Part Name	Qty /Unit	Common Part	Retail Price
7-1	LM22GE-1102Z2	Left brake mounting plate	1	○	
7-2	LM22GE-1103Z2	Right brake mounting plate	1	○	
7-3	K0041060202	6 + Countersunk head screw 20	4	○	
7-4	K0041060252	6 + Countersunk head screw 25	4	○	
7-5	LM22GE-1106Z2	Mounting plate right collar	4	○	
7-6					
7-7	K1040000010	1.6 hook spring 845	4	○△	
7-8	LM22GE-1108A2	Left brake lever mounting bracket	1	○	
7-9	LM22GE-1109B2	Right brake lever mounting bracket	1	○	
7-10					
7-11	K1241132014	Brake lever E113201	1	○△	
7-12	K0071000213	Brake bolt	1	○△	
7-13	K0102060003	6 nut 3	2	○△	
7-14	K4009000010	1 felt 96110	2	○△	
7-15	K1120140000	Brake wire 1400W		△	
7-16	K0007100402	10 bolt 40SW	4	○	
7-17	K6030050122	5 flat head pin 12	2	○△	
7-18	K0300020162	2 cotter pin 16	2	○△	
7-19					
7-20	K2941000000	ThreeBond 1104	10g		
7-21	K1725000040	Brake shoe 100 Ass'y	2		

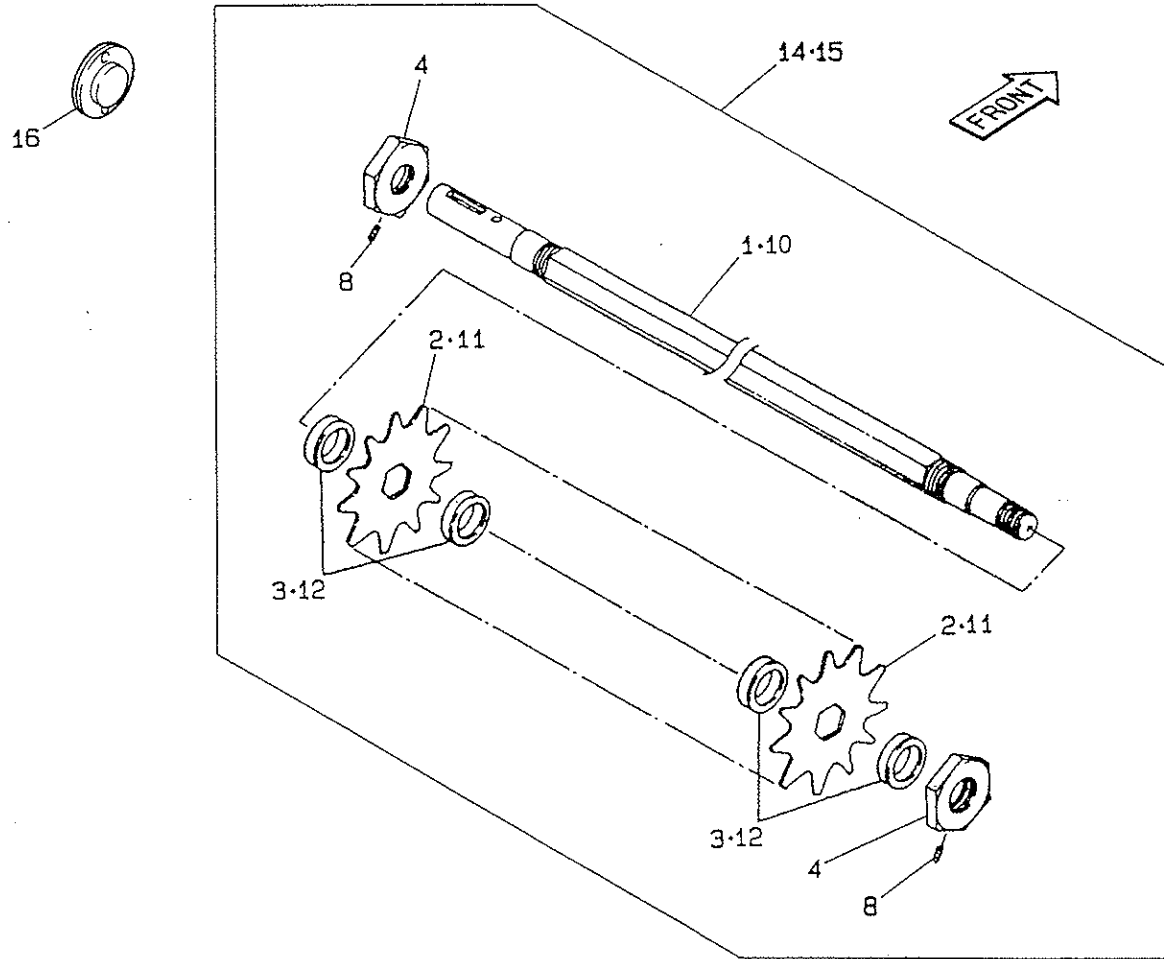
○: Parts common to LM22GE △: Parts common to LM55GD

Catalog No.	Code No.	Part Name	Qty /Unit	Common Part	Retail Price

7. Internal expanding brake parts

LM22GF、26GF
LM26TF

8. Dethatching reel (Option)



Catalog No.	Code No.	Part Name	Qty /Unit	Common Part	Retail Price
8-1	LM22GF-1702Z2	Vertical blades shaft	1		
8-2	K2570000029	Vertical blade 128	36		
8-3	K6212001172	31.7STKM collar 4213	37		
8-4	K0160000422	27 special nut P1.5-10	2		
8-5					
8-6					
8-7					
8-8	K0023060121	6 hollow set 12	2		
8-9					
※8-10	LM26GF-1702Z2	Vertical blades shaft	1		
※8-11	K2570000029	Vertical blade 128	43		
※8-12	K6212001173	31.7STKM collar 4213	44		
8-13					
8-14	LM22GF-1701Z0	Dethatching reel Ass'y	1		
※8-15	LM26GF-1701Z0	Dethatching reel Ass'y	1		
8-16	LM22GE-0109Z0	Cutter shaft grease retainer	1		

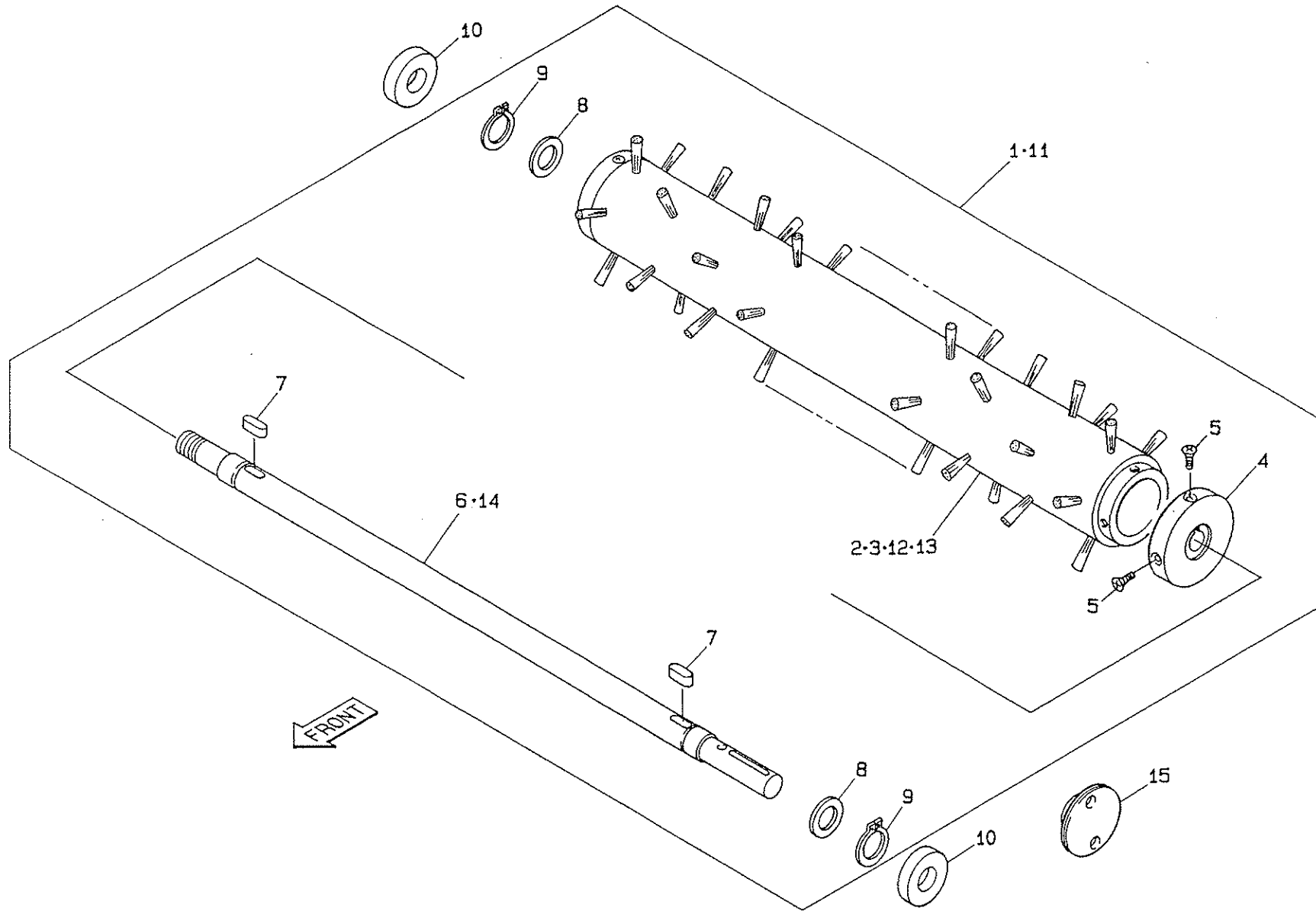
※: Parts of LM26GF

Catalog No.	Code No.	Part Name	Qty /Unit	Common Part	Retail Price

8. Dethatching reel (Option)

LM22GF、26GF
LM26TF

9. Sweeping brush (Option)



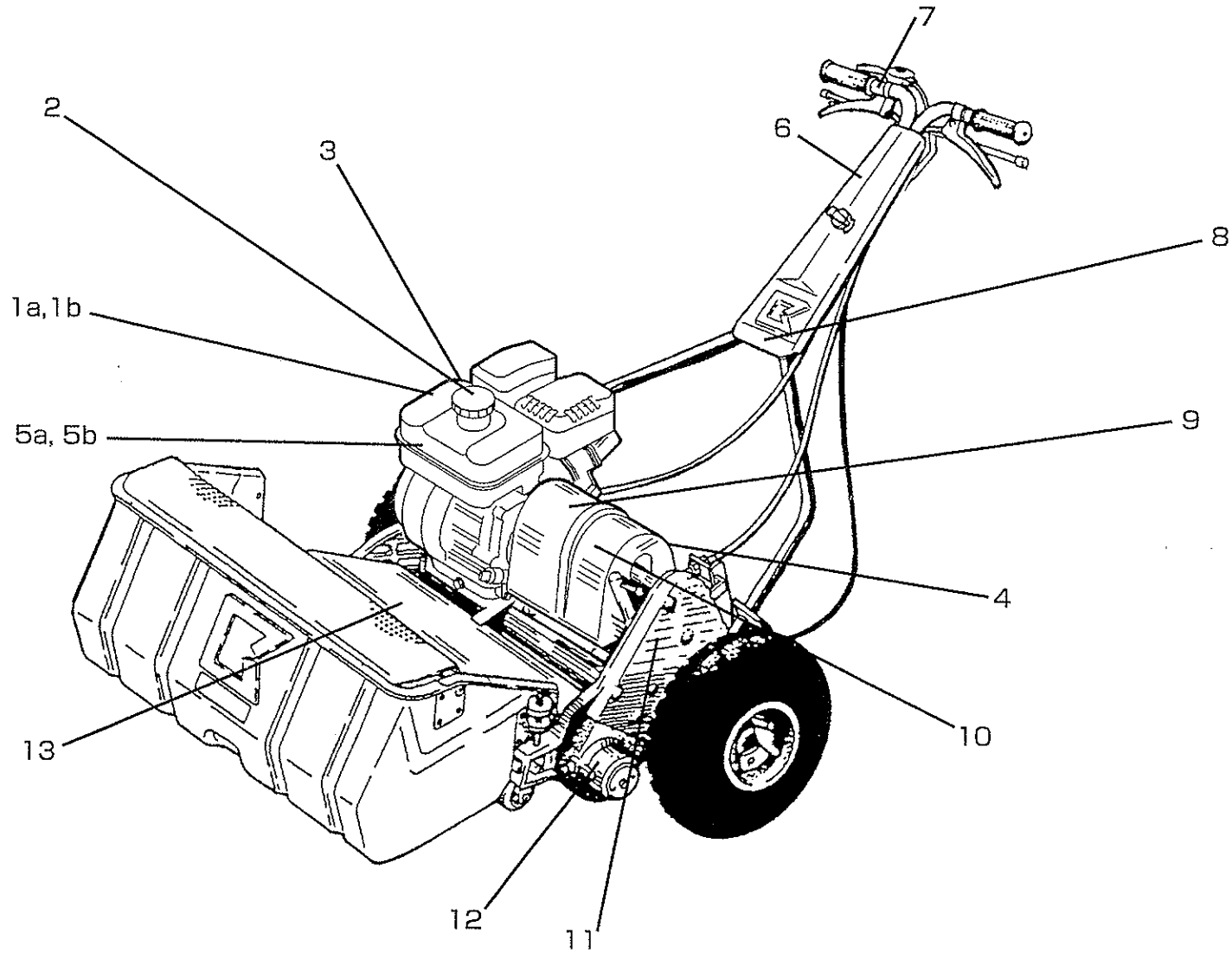
Catalog No.	Code No.	Part Name	Qty /Unit	Common Part	Retail Price
9-1	LM22GF-1601Z0	Brush shaft Ass'y	1		
9-2	K4150000030	55 brush 135COMP	1		
9-3	K4150000050	55 brush 135	1		
9-4	K6205000082	Metal	1		
9-5	K0065380132	3.8 slotted countersunk head screw 13	8		
9-6	LM22GF-1602Z2	Brush shaft	1		
9-7	K0500505160	5 both-end round key 516	2		
9-8	K5051022300	1C5191P washer 2230	2		
9-9	K0401022001	Stop ring S22	2		
9-10	K0852242080	Oil seal PJN22428	2		
※9-11	LM26GF-1601Z0	Brush shaft Ass'y	1		
※9-12	K4150000040	65 brush 135COMP	1		
9-13	K4150000060	65 brush 135	1		
※9-14	LM26GF-1602Z2	Brush shaft	1		
9-15	LM22GE-0109Z0	Cutter shaft oil retainer	1		

※: Parts of LM26GF

Catalog No.	Code No.	Part Name	Qty /Unit	Common Part	Retail Price

9. Sweeping brush (Option)	LM22GF、26GF LM26TF
----------------------------	-----------------------

Location of Labels



DECAL CODE NUMBER FOR LM22GF/26TF SAXON 2003 MODEL

	Code No.	Name	Qty/Unit
1a	K4209000880	LWA 98 mark (LM22GF)	1
1b	K4209000880	LWA 98 mark (LM26TF)	1
2	K4205001300	Engine Oil Warning Mark	1
3	K4205001330	Noise Warning Mark	1
4	K4209000640	CE Mark	1
5a	LM22GF-1901Z0	Model Name Mark (LM22GF)	1
5b	LM26TF-2301Z0	Model Name Mark (LM26TF)	1
6	K4203001040	Clutch Mark	1
7	K4203000970	BRAKE Mark	1
8	K4201000420	SAXON Mark	1
9	K4205001310	SAFETY INSTRUCTIONS Mark	1
10	K4205001290	HEALTH & SAEFETY WARNING Mark	1
11	K4209000370	Grease Up 10h Mark	3
12	K4203000080	On/Off Mark	1
13	K4205001280	DANGER Mark	1

LM26TF Saxon Model serial No.10567 and upward have the following drum assy and gears for GF Model.

2-54	LM26GE-0201A0	Drum Ass'y
4-24	K6185000020	3-shaft 16-tooth 42-tooth gear
4-25	K6185000030	5-shaft 15-tooth 45-tooth gear
4-26	K6181000020	45-tooth axle gear

LEVER / SWITCH OPERATION

The lever/switch system in proper working order provides the following operation patterns.
For starting traveling operation, carry out OPR.7, OPR.3 and OPR.1 in order

	Engine lever	Travelling clutch lever	Engine switch	Engine position	Travel / Stop
OPR. 1	ON	ON	ON	STARTING	TRAVEL
OPR. 2	ON	ON	OFF	STOP	STOP
OPR. 3	ON	OFF	ON	STARTING	STOP
OPR. 4	ON	OFF	OFF	STOP	STOP
OPR. 5	OFF	ON	ON	STOP	STOP
OPR. 6	OFF	ON	OFF	STOP	STOP
OPR. 7	OFF	OFF	ON	STARTING	STOP
OPR. 8	OFF	OFF	OFF	STOP	STOP

Engine lever GRIP = ON
RELEASE = OFF

Travelling clutch lever GRIP = ON
RELEASE = OFF

EC Declaration of Conformity

We, Kyoeissha Co., Ltd. of 1-26 Miyuki-cho, Toyokawa, Aichi-pref., Japan declare that :

Equipment	Walk-behind lawnmower
Model name / number	BARONESS / LM22GF

in accordance with the following Directives :

89/392/EEC The Machinery Directive and its amending directives

has been designed and manufactured to the following specifications :

EN 292-1	Safety of machinery – Basic concepts, general principles for design – Part 1 : Basic terminology, methodology
EN 292-2	Safety of machinery – Basic concepts, general principles for design – Part 2 : Technical principles and specifications
EN 836	Garden equipment – Powered lawnmowers – Safety

I hereby declare that the equipment named above has been designed to comply with the relevant sections of the above referenced specifications.

Signed by : *Katsuaki Makino*

Name : Katsuaki Makino

Position : Development Dept. Manager

Date : February 25, 2002

EC Declaration of Conformity

We, Kyoeisha Co., Ltd. of 1-26 Miyuki-cho, Toyokawa, Aichi-pref., Japan declare that :

Equipment

Walk-behind lawnmower

Model name / number

BARONESS / LM26TF

in accordance with the following Directives :

89/392/EEC The Machinery Directive and its amending directives

has been designed and manufactured to the following specifications :

EN 292-1 Safety of machinery – Basic concepts, general principles for design –
Part 1 : Basic terminology, methodology

EN 292-2 Safety of machinery – Basic concepts, general principles for design –
Part 2 : Technical principles and specifications

EN 836 Garden equipment – Powered lawnmowers – Safety

I hereby declare that the equipment named above has been designed to comply with the relevant sections of the above referenced specifications.

Signed by : *Katsuaki Makino*

Name : Katsuaki Makino

Position : Development Dept. Manager

Date : February 25, 2002

Manufacturers Declaration of Conformity for

Product Identification

Product : Walk-behind lawnmower
Brand : BARONESS (Saxon)
Type : LM22GF
Starting Serial No. : 11171
Measured Sound Power Level : Lwa 95,67 dB
Guaranteed Sound Power Level : Lwa 98 dB
Manufacturer :
Name :
Address :

Kyoeisha Co., Ltd.
1-26 Miyuki-cho, Toyokawa, Aichi-pref.,
Japan

Technical Documentation

Keeper's Name :
Keeper's Address :

Kyoeisha Co., Ltd.
1-26 Miyuki-cho, Toyokawa, Aichi-pref.,
Japan

Conformity Assessment Procedure :

Internal Control of Production with Assessment of
Technical Documentation and Periodical Checking
(Annex VI) of 2000/14/EC

Involved Notified Body

Name :
Address :

SNC-H
11, Route de Sandweiler
5230 Sandweiler
Luxembourg

Technical Construction File

Date :
Technical Construction File No. :
Test Laboratory

February 12, 2003
No. TC022GF-01
TUV Rheinland Luxembourg GmbH
Centre Commercial "Le2000" Z.I. Route de Bettembourg
L-3378 LIVANGE Luxembourg


Means of conformity

The product is in conformity with the Directive relating to the noise emission in the environment by
equipment for use outdoors 2000/14/EC, in accordance with Article 12 of the Directive.

References of other Community Directives applied

89/392/EEC

Signature :


Katsunaki Makino

Manager
Development Dept.
Kyoeisha Co., Ltd.

Date :

February 12, 2003

Manufacturers Declaration of Conformity for

Product Identification

Product : Walk-behind lawnmower
Brand : BARONESS (Saxon)
Type : LM26TF
Starting Serial No. : 10703
Measured Sound Power Level : LWA 95.94 dB
Guaranteed Sound Power Level : LWA 98 dB
Manufacturer :
Name :
Address :
Kyoisha Co., Ltd.
1-26 Miyuki-cho, Toyokawa, Aichi-pref.,
Japan

Technical Documentation

Keeper's Name : Kyoisha Co., Ltd.
Keeper's Address : 1-26 Miyuki-cho, Toyokawa, Aichi-pref.,
Japan

Conformity Assessment Procedure :

Internal Control of Production with Assessment of
Technical Documentation and Periodical Checking
(Annex VI) of 2000/14/EC

Involved Notified Body

Name : SNC-H
Address : 11, Route de Sandweiler
5230 Sandweiler
Luxembourg

Technical Construction File

Date : February 12, 2003
Technical Construction File No. : No. TC026TF-01
Test Laboratory : TUV Rheinland Luxembourg GmbH
Centre Commercial "Le2000" Z.I. Route de Etertembourg
L-3378 LIVANGE Luxembourg

Means of conformity

The product is in conformity with the Directive relating to the noise emission in the environment by
equipment for use outdoors 2000/14/EC, in accordance with Article 12 of the Directive.

References of other Community Directives applied

89/392/EEC

Signature :



Katsunori Makino
Manager
Development Dept.
Kyoisha Co., Ltd.

Date :

February 12, 2003

BROADNESS
Turf Care Machinery
Tel : (0533) 84-1221
Fax: (0533) 84-1220

KYOEISHA CO., LTD.

Head Office
1-26, Miyuki-cho, Toyokawa,
Aichi-Pref. 442-8530 Japan.

